

Twin Coiling Tube

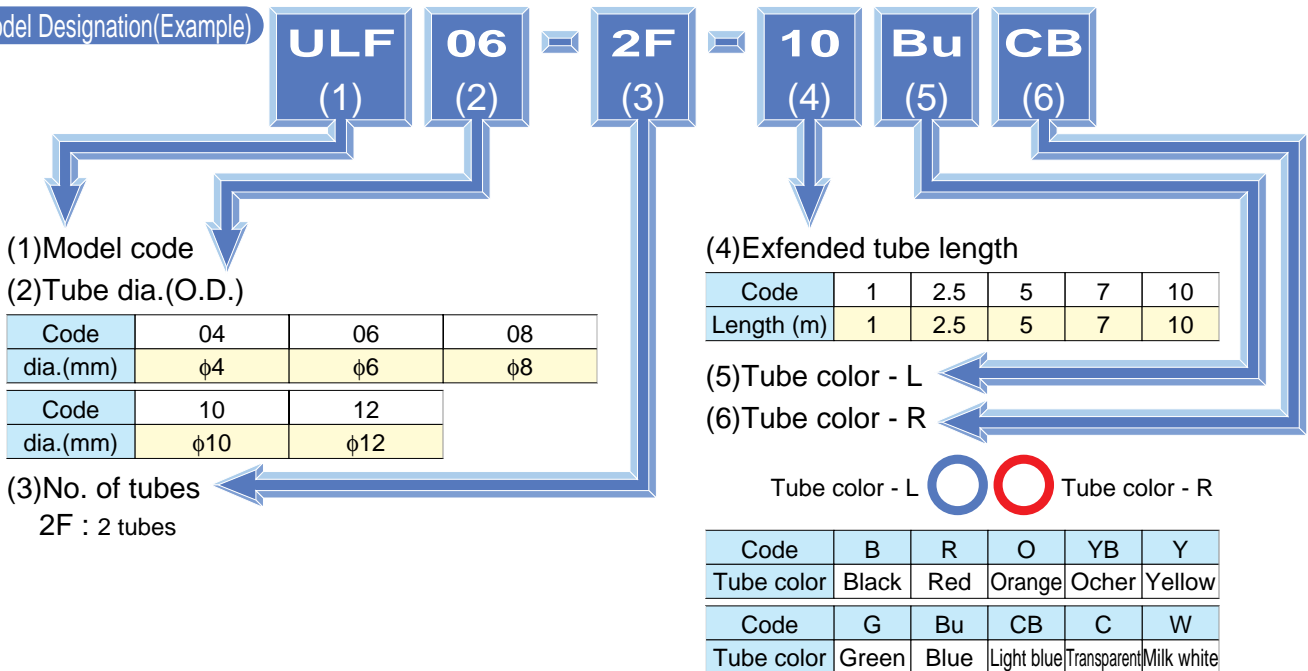
Features

- This 2-Tube urethane coiling tube is convenient for piping of double-acting drive systems. (Production upon order.)

Specification

Fluid admitted	Compressed air
Service pressure range	0~100psi (0~0.7MPa)
Working vacuum	-29.5in. Hg (-100KPa)
Service temperature range	5~140°F (-15~60°C) (No freezing)

Model Designation(Example)



⚠ Detailed Safety Instructions

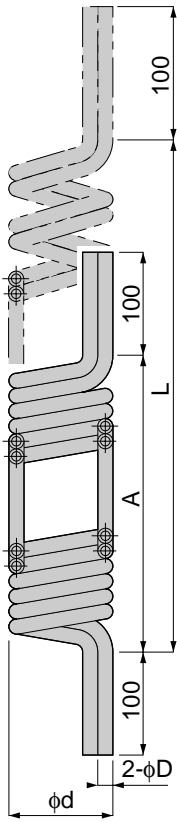
Before using the PISCO device, be sure to read the "Safety Instructions", "Common Safety Instructions for Products Listed in This Manual" on pages 23~24 and "Common Safety Instructions for Tubes" on page 551.

Tube Series Twin Coiling Tube

unit:mm

ULF

Twin Coiling Tube



Model	Tube O. D. x I. D. φD	L	A	φd
ULF 03-2F-1	3×2	240	80	21
ULF 03-2F-2.5		700	230	21
ULF 04-2F-1	4×2.5	270	90	26
ULF 04-2F-2.5		700	230	26
ULF 04-2F-5		1530	510	26
ULF 04-2F-7		2200	730	26
ULF 04-2F-10		3200	1060	26
ULF 06-2F-1	6×4	270	90	38
ULF 06-2F-2.5		720	240	38
ULF 06-2F-5		1600	525	38
ULF 06-2F-7		2300	750	38
ULF 06-2F-10		3300	1090	38
ULF 08-2F-2.5	8×5	1200	390	42
ULF 08-2F-5		2300	770	42
ULF 08-2F-7		3200	1045	42
ULF 08-2F-10		4700	1550	42
ULF 10-2F-2.5	10×6.5	1000	330	58
ULF 10-2F-5		2100	680	58
ULF 10-2F-7		3000	970	58
ULF 10-2F-10		4200	1380	58
ULF 12-2F-2.5	12×8	1000	310	72
ULF 12-2F-5		2000	650	72
ULF 12-2F-7		2800	980	72
ULF 12-2F-10		4000	1320	72