

Quick Fitting Type with Built-in Stop Mechanism

Stop Fitting

Package : 1 pc. in a bag

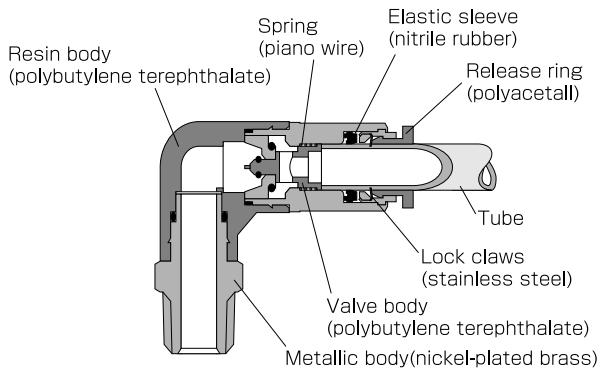
- The stop mechanism will operate to stop the air flow when the tube is disconnected and will allow when the tube is connected.
- The double-passage structure facilitates connection and disconnection of the tube.

Specifications

Fluid admitted	Air	
Service pressure range	0~150psi	0~9MPa(0~9.18kgf/cm ²)
Service temperature range	32~140°F	0~60°C

Notes: Use the stop fitting with air only. Never use them with water or other liquids, or with gases other than air. To screw a fitting down, be sure to tighten with a wrench applied to the hexagonal part of the stud.

Construction



Model Designation(Example)

PSC 6 - 01
 ① ② ③

①Type

②Tube dia.(ΦD)

	mm size				
Code	4	6	8	10	12
Size	Φ4mm	Φ6mm	Φ8mm	Φ10mm	Φ12mm

③Thread size(R)

	Metric thread	Taper pipe thread			
Code	M5	01	02	03	04
Size	M5×0.8	R1/8	R1/4	R3/8	R1/2

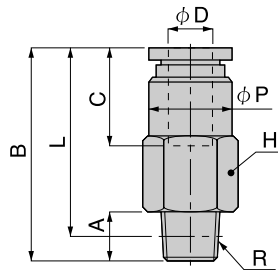
Detailed Safety Instructions

Before using the PISCO device, be sure to read the "Safety Instructions", "Common Safety Instructions for Products Listed in This Manual" on page 3 and "Common Safety Instructions for Quick-Fitting Joint" on pages 4 and 5.

⚠ Caution

1. Be careful when you release the Stop Fitting with some internal pressure working. The tube under internal pressure may fly out.
2. Make certain of the operational direction of the stop mechanism by the mark on the body. If you disconnect the tube on the wrong side, air may not stop.

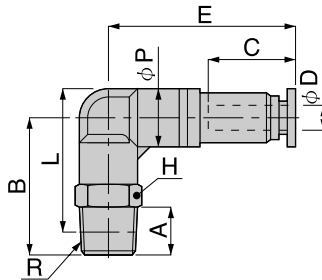
PSC Straight



Unit : inch

Model	Tube dia. ϕD (mm)	R	A	B	L	ϕP	C	H	Weight (OZ)	Eff.a. mm ²	CV
PSC 4-M5	4	M5	0.14	1.12	0.98	0.31	0.49	0.31	0.25	1.60	0.09
PSC 4-01	4	R1/8	0.31	0.94	0.79	0.35	0.49	0.39	0.33	2.00	0.11
PSC 6-M5	6	M5	0.14	1.26	1.12	0.39	0.53	0.39	0.39	2.30	0.12
PSC 6-01	6	R1/8	0.31	1.06	0.91	0.39	0.53	0.39	0.33	7.30	0.40
PSC 6-02	6	R1/4	0.43	1.06	0.83	0.47	0.53	0.55	0.74	7.30	0.40
PSC 8-01	8	R1/8	0.31	1.42	1.26	0.55	0.89	0.55	0.79	9.10	0.49
PSC 8-02	8	R1/4	0.43	1.42	1.18	0.55	0.73	0.55	0.79	14.20	0.77
PSC 8-03	8	R3/8	0.47	1.42	1.16	0.59	0.73	0.67	1.37	15.80	0.86
PSC 10-02	10	R1/4	0.43	1.52	1.28	0.67	0.98	0.67	1.09	17.80	0.96
PSC 10-03	10	R3/8	0.47	1.57	1.32	0.67	0.83	0.67	1.23	24.90	1.35
PSC 10-04	10	R1/2	0.59	1.57	1.26	0.71	0.83	0.83	2.22	24.90	1.35
PSC 12-03	12	R3/8	0.47	1.81	1.55	0.83	1.16	0.83	2.24	28.80	1.56
PSC 12-04	12	R1/2	0.59	1.81	1.50	0.83	0.92	0.83	2.31	31.80	1.72

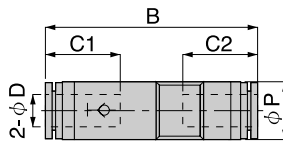
PSL Elbow



Unit : inch

Model	Tube dia. ϕD (mm)	R	A	B	L	ϕP	C	E	H	Weight (OZ)	Eff.a. mm ²	CV
PSL 4-M5	4	M5	0.14	0.81	0.67	0.39	0.49	1.18	0.39	0.49	1.50	0.08
PSL 4-01	4	R1/8	0.31	0.92	0.77	0.39	0.49	1.18	0.39	0.60	1.80	0.10
PSL 6-M5	6	M5	0.14	0.87	0.73	0.49	0.53	1.20	0.47	0.69	2.30	0.12
PSL 6-01	6	R1/8	0.31	0.98	0.83	0.49	0.53	1.20	0.47	0.77	6.80	0.37
PSL 6-02	6	R1/4	0.43	1.10	0.87	0.49	0.53	1.20	0.55	1.04	8.10	0.44
PSL 8-01	8	R1/8	0.31	1.10	0.94	0.57	0.73	1.69	0.55	1.20	13.70	0.74
PSL 8-02	8	R1/4	0.43	1.22	0.98	0.57	0.73	1.69	0.55	1.41	13.20	0.72
PSL 8-03	8	R3/8	0.47	1.30	1.04	0.57	0.73	1.69	0.67	1.87	14.50	0.79
PSL 10-02	10	R1/4	0.43	1.42	1.18	0.69	0.83	1.95	0.67	2.06	21.40	1.16
PSL 10-03	10	R3/8	0.47	1.46	1.20	0.69	0.83	1.95	0.67	2.36	21.90	1.19
PSL 10-04	10	R1/2	0.59	1.57	1.26	0.69	0.83	1.95	0.83	3.13	21.30	1.15
PSL 12-03	12	R3/8	0.47	1.54	1.28	0.83	0.92	2.26	0.83	3.26	30.20	1.64
PSL 12-04	12	R1/2	0.59	1.65	1.34	0.83	0.92	2.26	0.83	3.77	29.80	1.62

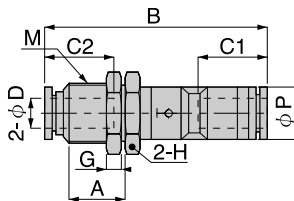
PSU Union Straight



Unit : inch

Model	Tube dia. ϕD (mm)	B	ϕP	C1	C2	Weight (OZ)	Eff.a. mm ²	CV
PSU 4M	4	1.42	0.33	0.39	0.43	0.12	2.00	0.11
PSU 6M	6	1.55	0.43	0.43	0.45	0.21	7.10	0.38
PSU 8	8	2.15	0.57	0.71	0.71	0.56	15.40	0.83
PSU 10	10	2.38	0.69	0.79	0.79	0.92	22.40	1.21
PSU 12	12	2.77	0.83	0.92	0.92	1.43	30.00	1.63

PSM Bulkhead Union

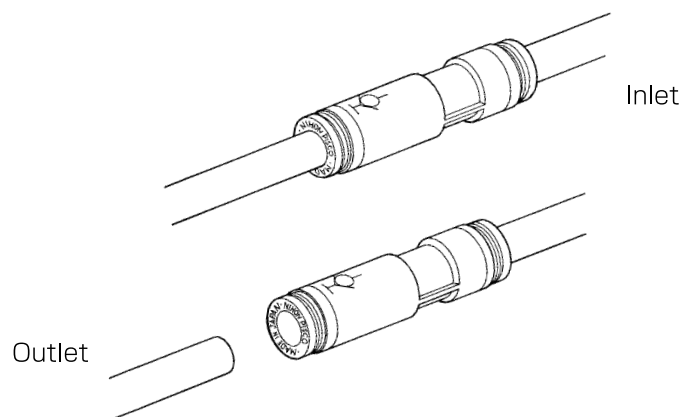


Unit : inch

Model	Tube dia. ϕD (mm)	R	A	B	L	ϕP	C1	C2	H	G	Weight (OZ)	Eff.a. mm ²	CV
PSM 4	4	M10	0.35	1.79	1.06	0.39	0.59	0.59	0.47	0.12	0.46	1.70	0.09
PSM 6	6	M12	0.35	1.97	1.20	0.49	0.67	0.65	0.55	0.16	0.69	7.20	0.39
PSM 8	8	M16	0.55	2.30	1.32	0.57	0.71	0.71	0.75	0.16	1.32	14.70	0.80
PSM 10	10	M20	0.63	2.64	1.54	0.69	0.79	0.79	0.94	0.20	2.38	22.80	1.24
PSM 12	12	M22	0.79	2.99	1.69	0.83	0.92	0.92	1.06	0.24	3.43	30.70	1.66

Stop Fitting

- The air flows when the tube is pushed in.
- The air stops when the tube is disconnected thanks to the built-in stop mechanism.



※Utilize for the places where the air needs to be stopped automatically when the tube is removed and such removals are not required many times.