

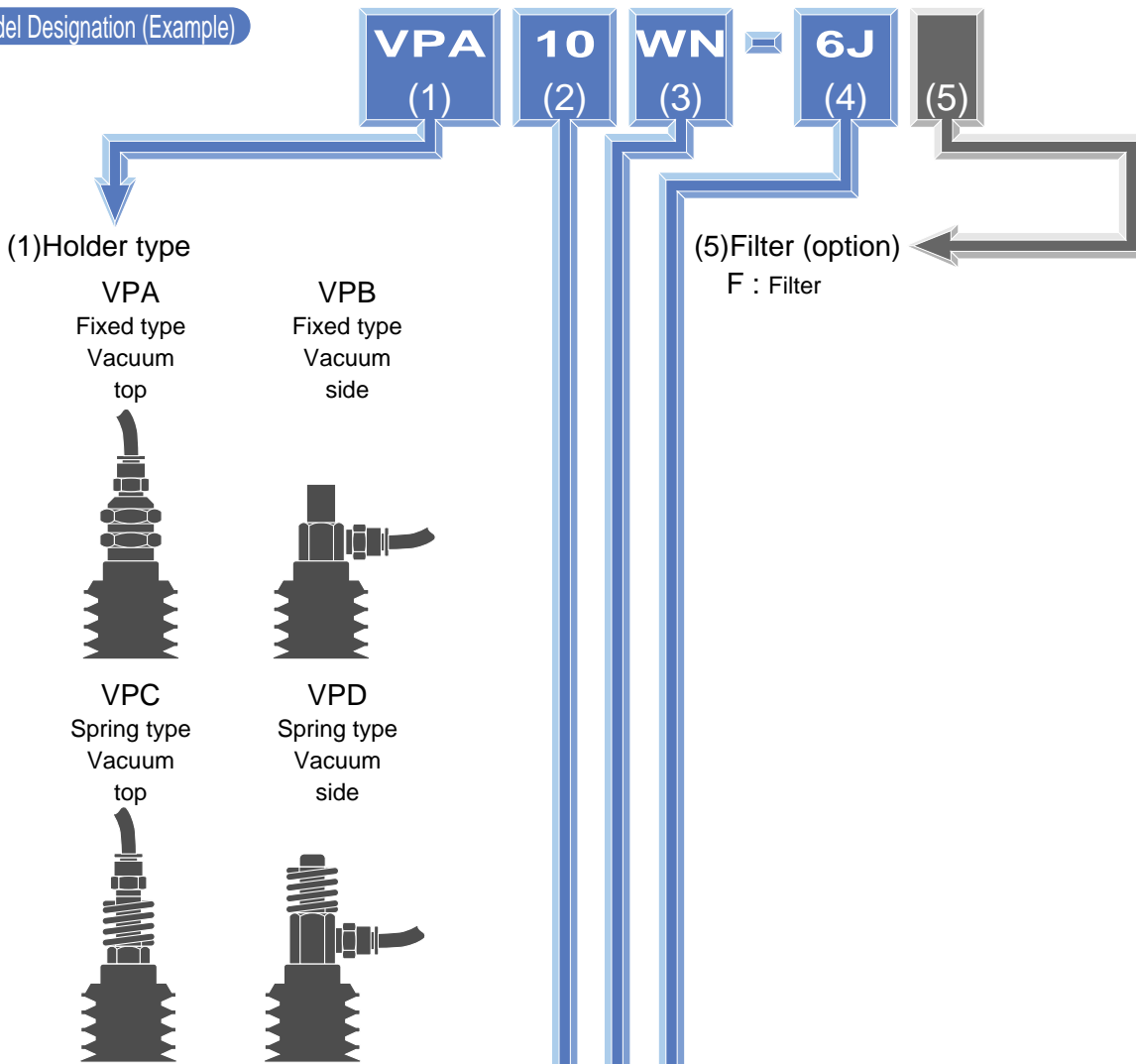


# Quick-fitting Type Vacuum Pad Vacuum Pad Multi-Bellows Type

## Features

- Flexibly used for conveyer of work with incline and vinyl bag package.
- Conform to standards for Food & Additives. Good for conveying food packages. (NBR suited the Food Sanitation Act.)
  - ◆ Pad dia :  $\phi 10\sim\phi 50\text{mm}(0.39\sim 1.97\text{in.})$
  - ◆ Pad materials : Nitrile rubber, Silicon rubber, NBR suited the Food Sautiation Act.
  - ◆ Holder type : 4 types

## Model Designation (Example)



### (2)Pad dia.

Code	10	20	30	40	50
dia. mm	$\phi 10$	$\phi 20$	$\phi 30$	$\phi 40$	$\phi 50$
inch	0.39	0.79	1.18	1.58	1.97

### (3)Pad material (type)

- WN : Nitrile rubber (Multi-bellows type)
- WS : Silicon rubber (Multi-bellows type)
- WG : NBR suited the Food Sanitation Act (Multi-bellows type)

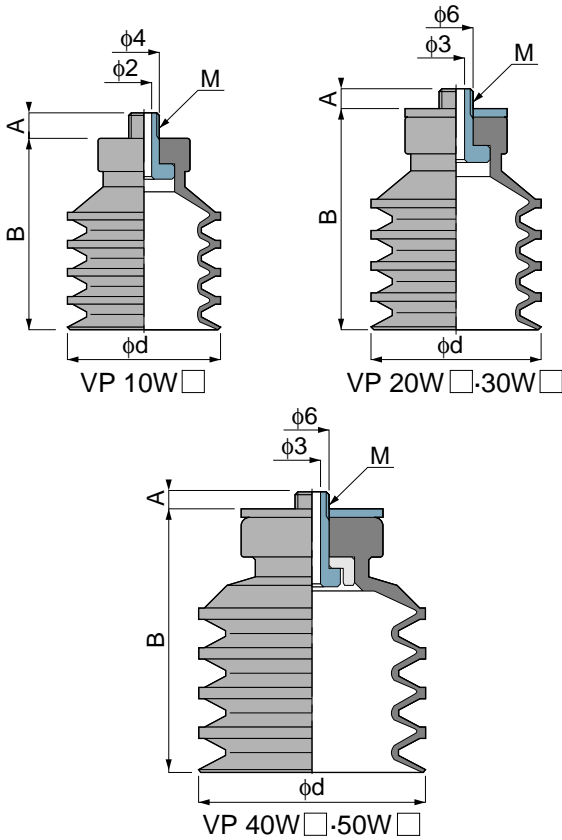
### (4)Joint size and type

Joint type	Quick-fitting joint
Code	6J
Size(O.D.xI.D.)	6mm $\times$ 4mm(0.24 $\times$ 0.16in.)
Pad dia	$\phi 10\text{mm}\sim\phi 50\text{mm}(\phi 0.39\sim\phi 1.97\text{in.})$

**⚠ Detailed Safety Instructions**

Before using the PISCO device, be sure to read the "Safety Instructions", "Common Safety Instructions for Products Listed in This Manual" on page 23~24 and "Safety Instructions", "Common Safety Instructions for Vacuum Pads" on page 439~440.

● Pad mounting shape



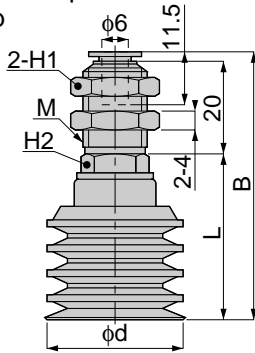
Unit : mm

Type	Pad outer dia φd	M	A	B
VP 10W□	10	M4×0.7	1.5	16
VP 20W□	20	M6×1	2.5	26.5
VP 30W□	30	M6×1	3.5	40
VP 40W□	40	M6×1	5.5	46.5
VP 50W□	50	M6×1	5.5	57.5

# Vacuum Series Vacuum Pad Multi-Bellows Type

## VPA MULTI-BELLOWS

Fixed type  
vacuum port  
top



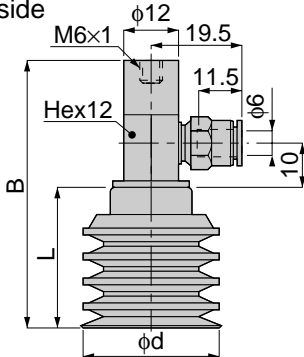
unit:mm

Model	Pad dia. φd	M	B		L		H1	H2	Mass (g)
			max	min	max	min			
VPA 10W□-6J	10	M12×1	40.5	37	18.5	15	14	12	
VPA 20W□-6J	20	M14×1	52.5	43.5	30.5	21.5	17	14	
VPA 30W□-6J	30	M14×1	66	52.5	43	29.5	17	14	
VPA 40W□-6J	40	M14×1	72.5	56	49.5	33	17	14	
VPA 50W□-6J	50	M14×1	83.5	61	60.5	38	17	14	



## VPB MULTI-BELLOWS

Fixed type  
vacuum port  
side



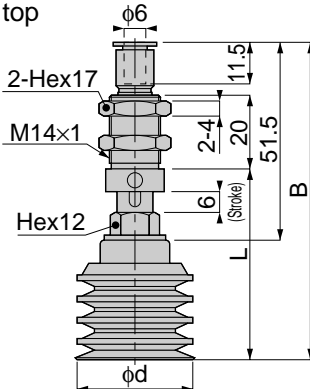
unit:mm

Model	Pad dia. φd	B		L		Mass (g)
		max	min	max	min	
VPB 10W□-6J	10	42.5	39	14.5	11	
VPB 20W□-6J	20	53	44	25	16	
VPB 30W□-6J	30	66.5	53	38.5	25	
VPB 40W□-6J	40	73	56.5	45	28.5	
VPB 50W□-6J	50	84	61.5	56	33.5	



## VPC MULTI-BELLOWS

Spring type  
vacuum port  
top



unit:mm

Model	Pad dia. φd	B		L		Spring force (N)	Mass (g)
		max	min	max	min		
VPC 10W□-6J	10	66	62.5	33	29.5	3.92~5.88	
VPC 20W□-6J	20	76.5	67.5	45	36	3.92~5.88	
VPC 30W□-6J	30	90	76.5	58.5	45	7.84~9.80	
VPC 40W□-6J	40	96.5	80	65	48.5	7.84~9.80	
VPC 50W□-6J	50	107.5	85	76	53.5	7.84~9.80	

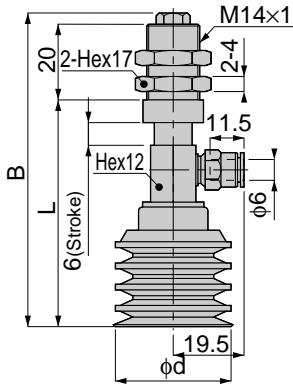


# Vacuum Series Vacuum Pad Multi-Bellows Type

unit:mm

## VPD MULTI-BELLOWS

Spring type  
vacuum port  
side



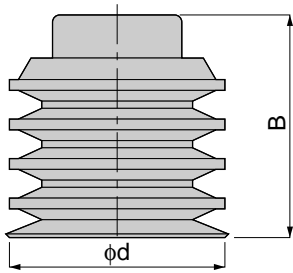
Model	Pad dia. φd	B		L		Spring force (N)	Mass (g)
		max	min	max	min		
VPD 10W□-6J	10	66.5	63	42	38.5	3.92~5.88	
VPD 20W□-6J	20	75	66	52.5	43.5	3.92~5.88	
VPD 30W□-6J	30	88.5	75	66	52.5	7.84~9.80	
VPD 40W□-6J	40	95	78.5	72.5	56	7.84~9.80	
VPD 50W□-6J	50	106	83.5	83.5	61	7.84~9.80	



unit:mm

## VP MULTI-BELLOWS

Pad rubber only



Model	Pad dia. φd	B		Mass (g)
		max	min	
VP 10W□	10	14.5	11	
VP 20W□	20	25	16	
VP 30W□	30	38.5	25	
VP 40W□	40	45	28.5	
VP 50W□	50	56	33.5	

