

# Quick-fitting Type Vacuum Pad

## Vacuum Pad Long Stroke

### Features


- This Vacuum Pad can hold parts or material pieces even when the distance from the pad to them varies.
  - ◆ Pad dia. :  $\phi 4$  to  $\phi 50$ mm( $\phi 0.16$ ~ $1.97$ in.)
  - ◆ Pad material: Nitrile rubber, silicon rubber, urethan rubber, fluoric rubber
  - ◆ Pad type: 2 types(general-type, deep-type)
  - ◆ Holder shape: 2 types
  - ◆ Stroke: 10 to 50mm( $\phi 0.39$ ~ $1.97$ in.)

### Model Designation(Example)

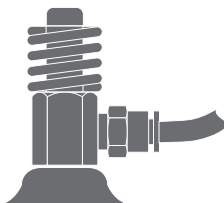
**VPA 40 20 RN 6J C** (1) (2) (3) (4) (5) (6) (7) (8)

**(1)Holder type**

VPC  
Spring type vacuum top



VPD  
Spring type vacuum side



**(2)Pad dia.**

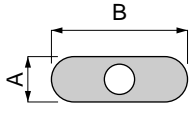
■ Standard type

Code	4	6	8	10	15	20	25	30	40	50	
dia.	mm	$\phi 4$	$\phi 6$	$\phi 8$	$\phi 10$	$\phi 15$	$\phi 20$	$\phi 25$	$\phi 30$	$\phi 40$	$\phi 50$
	inch	0.16	0.24	0.31	0.39	0.59	0.79	0.98	1.18	1.57	1.97

■ Sponge type

Code	10	15	20	25	30	35	50	
dia.	mm	$\phi 10$	$\phi 15$	$\phi 20$	$\phi 25$	$\phi 30$	$\phi 35$	$\phi 50$
	inch	0.39	0.59	0.79	0.98	1.18	1.38	1.97

■ Oval type



		B		
A \ B		10mm(0.39in.)	20mm(0.79in.)	30mm(1.18in.)
4mm(0.16in.)		4×10	4×20	4×30
5mm(0.2in.)		5×10	5×20	5×30
6mm(0.24in.)		6×10	6×20	6×30
8mm(0.31in.)		-	8×20	8×30

■ Bellows type

Code	10	20	30	40	50	
dia.	mm	$\phi 10$	$\phi 20$	$\phi 30$	$\phi 40$	$\phi 50$
	inch	0.39	0.79	1.18	1.57	1.97

**(3)Stroke**

Code	10	15	20	30	40	50
Stroke	10mm	15mm	20mm	30mm	40mm	50mm
	0.39in.	0.59in.	0.79in.	1.18in.	1.57in.	1.97in.

**(4)Pad rubber material**

■ Standard type

Pad type	Nitrile rubber	Silicon rubber	
Code	general type	RN	RS
	deep type	AN	AS
Pad type	Urethane rubber	Fluoric rubber	
Code	general type	RU	RF
	deep type	AU	AF

■ Sponge type  
S : Sponge pad

■ Oval type  
EN : Nitrile rubber

■ Bellows type  
BN : Nitrile rubber

**(5)Joint size**

Joint type	Quick-fitting Joint
Code	4J
Size(O.P.xI.P.)	4×2.5mm(0.16~0.26in.)
Pad dia.	$\phi 4$ ~ $\phi 8$ mm( $\phi 0.16$ ~ $\phi 0.31$ )
Joint type	Quick-fitting Joint
Code	6J
Size(O.P.xI.P.)	6×4mm(0.24~0.16in.)
Pad dia.	$\phi 10$ ~ $\phi 50$ mm( $\phi 0.39$ ~ $\phi 1.97$ )

**(6)Spring**

No code : with cover(Stroke10mm~20mm)  
C : Without cover(Stroke20mm~50mm)

**(7)Free holder(Optional)**

FH : Free holder swing angle 30°  
FHH : Free holder swing angle 15°

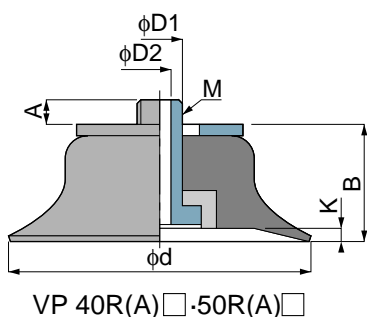
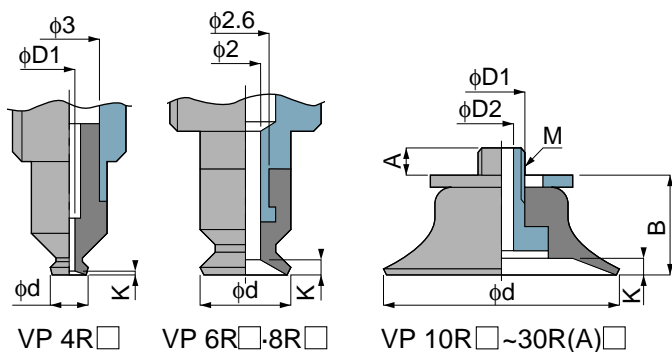
**(8)Filter(Optional)**

F : Filter

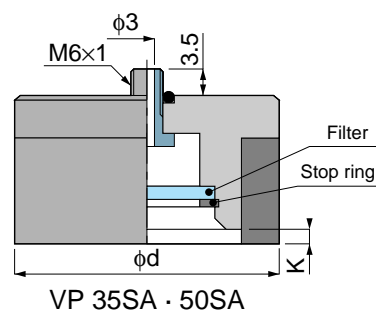
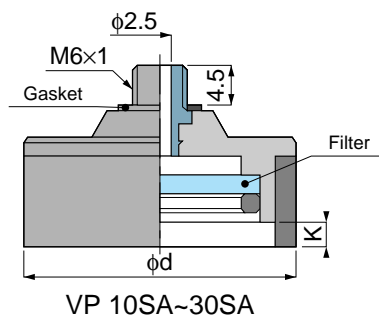
**⚠ Detailed Safety Instruction**

Before using the PISCO device, be sure to read the "Safety Instructions", "Common Safety Instructions for Products Listed in This Manual" on page 23~24 and "Common Safety Instructions for Vacuum Pads on page 439~440.

● Standard pad mounting shape



● Sponge pad mounting shape



unit:mm

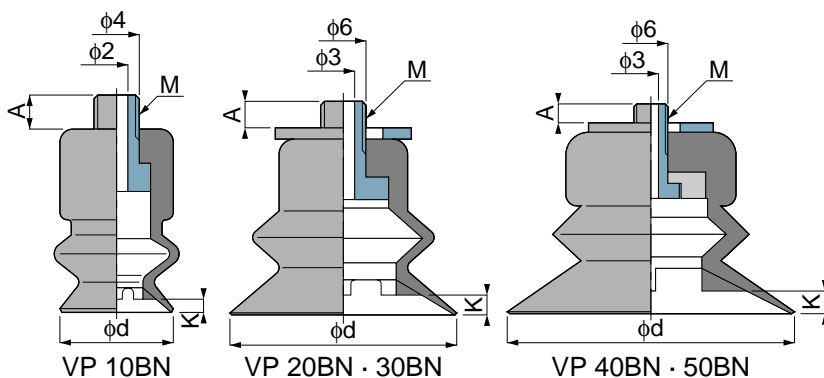
Type	Pad outer dia. $\phi d$	$\phi D1$	$\phi D2$	M	A	B	K
VP 4R □	4	1.2	-	-	-	-	0.3
VP 6R □	6	-	-	-	-	-	0.5
VP 8R □	8	-	-	-	-	-	1
VP 10R □	10	4	2	M4×0.7	3	8	1
VP 15R(A) □	15	4	2	M4×0.7	3	9(10)	1.5(3)
VP 20R(A) □	20	6	3	M6×1	2.4	11.5(12.5)	2(3)
VP 25R(A) □	25	6	3	M6×1	2.4	12.5(13.5)	2.5(4)
VP 30R(A) □	30	6	3	M6×1	3.4	12.5(15.5)	2(4.5)
VP 40R(A) □	40	6	3	M6×1	4.2	15.5(19)	2(4.5)
VP 50R(A) □	50	6	3	M6×1	4.2	16.5(19.5)	2(6.5)

\*Dimension inside ( ) is that of deep pad.

unit:mm

Type	Pad outer dia. $\phi d$	K
VP 10SA	10	1.5
VP 15SA	15	1.5
VP 20SA	20	3
VP 25SA	25	3
VP 30SA	30	3
VP 35SA	35	3
VP 50SA	50	3

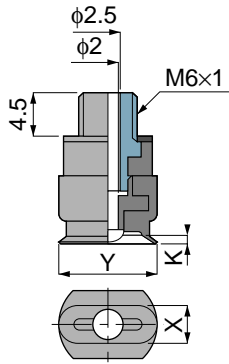
● Bellows pad mounting shape



unit:mm

Type	Pad outer dia. $\phi d$	M	A	K
VP 10BN	10	M4×0.7	3	1
VP 20BN	20	M6×1	4	1.5
VP 30BN	30	M6×1	5	2.5
VP 40BN	40	M6×1	7	3
VP 50BN	50	M6×1	7	4

●Oval pad mounting shape



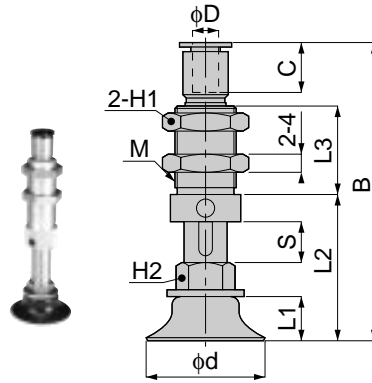
Model	Pad outer dia.		K
	X	Y	
VP 4×10E□	4	10	0.8
VP 4×20E□		20	1
VP 4×30E□		30	
VP 5×10E□	5	10	0.8
VP 5×20E□		20	1
VP 5×30E□		30	
VP 6×10E□	6	10	0.8
VP 6×20E□		20	1
VP 6×30E□		30	

Model	Pad outer dia.		K
	X	Y	
VP 8×20E□	8	20	1
VP 8×30E□		30	
VP 6×10E□A	6	10	0.8
VP 6×20E□A		20	1
VP 6×30E□A		30	
VP 8×20E□A	8	20	1
VP 8×30E□A		30	

※Adding "A" to the end of the model code signifies screw attached.

**VPC**  
LONG STROKE

Long stroke vacuum port top



Model	Tube dia. φD	Pad dia. φd	M	B	L1	L2	L3	C	Stroke S	H1	H2	Spring force (N)	Mass (g)
VPC 4-10R□-4J	4	4	M12×1	57.5	7	27	17.5	11	10	14	8	0.98-2.94	18.5
VPC 4-15R□-4J				68.5					15				21.5
VPC 4-20R□-4J				78.5					20				24.5
VPC 6-10R□-4J	4	6	M12×1	57	7	26.5	17.5	11	10	14	8	0.98-2.94	19.5
VPC 6-15R□-4J				68					15				22
VPC 6-20R□-4J				78					20				24.5
VPC 8-10R□-4J	4	8	M12×1	55.5	5.5	25	17.5	11	10	14	8	0.98-2.94	19.5
VPC 8-15R□-4J				66.5					15				22
VPC 8-20R□-4J				76.5					20				25
VPC 10-10R□-6J	6	10	M14×1	63.5	8	30.5	20	11.5	10	17	12	1.96-5.88	37.5
VPC 10-15R□-6J				73.5					15				42
VPC 10-20R□-6J				89.5					20				50
VPC 15-10R(A)□-6J	6	15	M14×1	64.5(65.5)	9(10)	30.5(31.5)	20	11.5	10	17	12	1.96-5.88	38
VPC 15-15R(A)□-6J				74.5(75.5)					15				42.5
VPC 15-20R(A)□-6J				90.5(91.5)					20				50
VPC 20-10R(A)□-6J	6	20	M14×1	67(68)	10(11)	34(35)	20	11.5	10	17	12	2.94-15.7	40.5
VPC 20-15R(A)□-6J				77(78)					15				45
VPC 20-20R(A)□-6J				93(94)					20				52
VPC 25-10R(A)□-6J	6	25	M14×1	68(69)	11(12)	35(35)	20	11.5	10	17	12	2.94-15.7	41.5
VPC 25-15R(A)□-6J				78(79)					15				45.5
VPC 25-20R(A)□-6J				94(95)					20				53
VPC 30-10R(A)□-6J	6	30	M14×1	68(71)	11(14)	35(38)	20	11.5	10	17	12	2.94-15.7	42.5
VPC 30-15R(A)□-6J				78(81)					15				47
VPC 30-20R(A)□-6J				94(97)					20				54.5
VPC 40-10R(A)□-6J	6	40	M14×1	71(74.5)	14(17.5)	38(41.5)	20	11.5	10	17	12	2.94-15.7	49.5
VPC 40-15R(A)□-6J				81(84.5)					15				54
VPC 40-20R(A)□-6J				97(100.5)					20				61
VPC 50-10R(A)□-6J	6	50	M14×1	72(75)	15(18)	39(42)	20	11.5	10	17	12	2.94-15.7	55
VPC 50-15R(A)□-6J				82(85)					15				59.5
VPC 50-20R(A)□-6J				98(101)					20				66.5

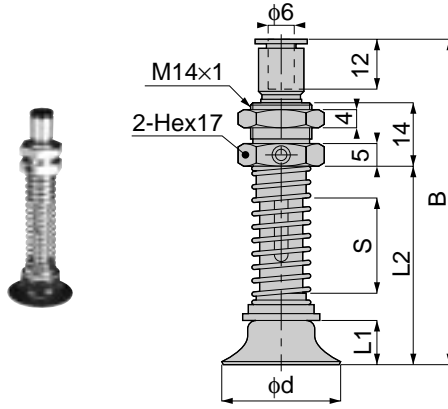
※ The dimension in ( ) is that for the deep pad.

# Vacuum Series Vacuum Pad Long Stroke



**VPC**  
C TYPE

Long stroke  
without cover  
vacuum port  
top



unit:mm

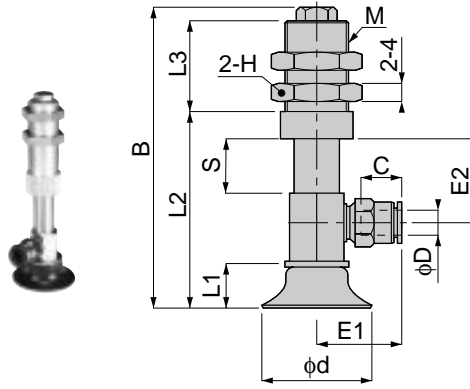
Model	Pad dia. φd	B	L1	L2	Stroke S	Spring force (N)	Mass (g)		
VPC 20-20R(A)-6JC	20	71.5(72.5)	10(11)	43(44)	20	1.96~5.88	47.5	1	6
VPC 20-30R(A)-6JC		84.5(85.5)		56(57)	30		53		
VPC 20-40R(A)-6JC		97.5(98.5)		69(70)	40	0.98~4.90	58	2	7
VPC 20-50R(A)-6JC		110.5(111.5)		82(83)	50		63.5		
VPC 25-20R(A)-6JC	25	72.5(73.5)	11(12)	44(45)	20	1.96~5.88	48.5	3	8
VPC 25-30R(A)-6JC		85.5(86.5)		57(58)	30		54		
VPC 25-40R(A)-6JC		98.5(99.5)		70(71)	40	0.98~4.90	59	4	9
VPC 25-50R(A)-6JC		111.5(112.5)		83(84)	50		64.5		
VPC 30-20R(A)-6JC	30	72.5(75.5)	11(14)	44(47)	20	1.96~5.88	50	5	10
VPC 30-30R(A)-6JC		85.5(88.5)		57(60)	30		55		
VPC 30-40R(A)-6JC		98.5(101.5)		70(73)	40	0.98~4.90	60.5	6	11
VPC 30-50R(A)-6JC		111.5(114.5)		83(86)	50		65.5		
VPC 40-20R(A)-6JC	40	75.5(79)	14(17.5)	47(50.5)	20	1.96~5.88	56.5	7	12
VPC 40-30R(A)-6JC		88.5(92)		60(63.5)	30		62		
VPC 40-40R(A)-6JC		101.5(105)		73(76.5)	40	0.98~4.90	67	8	13
VPC 40-50R(A)-6JC		114.5(118)		86(89.5)	50		72.5		
VPC 50-20R(A)-6JC	50	76.5(79.5)	15(18)	48(51)	20	1.96~5.88	62	9	14
VPC 50-30R(A)-6JC		89.5(92.5)		61(64)	30		67.5		
VPC 50-40R(A)-6JC		102.5(105.5)		74(77)	40	0.98~4.90	72.5	10	15
VPC 50-50R(A)-6JC		115.5(118.5)		87(90)	50		78		

※ The dimension in ( ) is that for the deep pad.

# Vacuum Series Vacuum Pad Long Stroke

**VPD**  
LONG STROKE

Long stroke  
vacuum port side



unit:mm

Model	Tube dia. φD	Pad dia. φd	M	B	L1	L2	L3	C	Stroke S	E1	E2	H	Spring force (N)	Mass (g)
VPD 4-10R□-4J	4	4	M12×1	56.5	8	35	17.5	11	10	18	16	14	0.98-2.94	28
VPD 4-15R□-4J				67.5		40	23.5		15		21			32
VPD 4-20R□-4J				77.5		45	28.5		20		26			35.5
VPD 6-10R□-4J	4	6	M12×1	56	8.5	35.5	17.5	11	10	19	16	14	0.98-2.94	32
VPD 6-15R□-4J				67		40.5	23.5		15		21			36.5
VPD 6-20R□-4J				77		45.5	28.5		20		26			40
VPD 8-10R□-4J	4	8	M12×1	54.5	7	34	17.5	11	10	19	16	14	0.98-2.94	32
VPD 8-15R□-4J				65.5		39	23.5		15		21			36.5
VPD 8-20R□-4J				75.5		44	28.5		20		26			40
VPD 10-10R□-6J	6	10	M14×1	63	8	40	20	11.5	10	20.5	17	17	1.96-5.88	51.5
VPD 10-15R□-6J				73		45	25		15		22			56.5
VPD 10-20R□-6J				89		52	34		20		27			66.5
VPD 15-10R(A)□-6J	6	15	M14×1	64(67)	9(10)	41(42)	20	11.5	10	20.5	17	17	1.96-5.88	51.5
VPD 15-15R(A)□-6J				74(77)		46(47)	25		15		22			56.5
VPD 15-20R(A)□-6J				90(93)		53(54)	34		20		27			66.5
VPD 20-10R(A)□-6J	6	20	M14×1	68(69)	10(11)	43(45.5)	20	11.5	10	20.5	16.5	17	2.94-15.7	53.5
VPD 20-15R(A)□-6J				78(79)		48(50.5)	25		15		21.5			60
VPD 20-20R(A)□-6J				94(95)		55(57.5)	34		20		26.5			64.5
VPD 25-10R(A)□-6J	6	25	M14×1	69(70)	11(12)	44(46.5)	20	11.5	10	20.5	16.5	17	2.94-15.7	41.5
VPD 25-15R(A)□-6J				79(80)		49(51.5)	25		15		21.5			45.5
VPD 25-20R(A)□-6J				95(96)		56(58.5)	34		20		26.5			53
VPD 30-10R(A)□-6J	6	30	M14×1	71(72)	11(14)	44(48.5)	20	11.5	10	20.5	16.5	17	2.94-15.7	55.5
VPD 30-15R(A)□-6J				81(82)		49(53.5)	25		15		21.5			62
VPD 30-20R(A)□-6J				97(98)		56(60.5)	34		20		26.5			66.5
VPD 40-10R(A)□-6J	6	40	M14×1	72(75.5)	14(17.5)	47(42)	20	11.5	10	20.5	16.5	17	2.94-15.7	62.5
VPD 40-15R(A)□-6J				82(85.5)		52(57)	25		15		21.5			69
VPD 40-20R(A)□-6J				98(101.5)		59.5(64)	34		20		26.5			73.5
VPD 50-10R(A)□-6J	6	50	M14×1	73(76)	15(18)	48(52.5)	20	11.5	10	20.5	16.5	17	2.94-15.7	68
VPD 50-15R(A)□-6J				83(86)		53(57.5)	25		15		21.5			74.5
VPD 50-20R(A)□-6J				99(102)		60(64.5)	34		20		26.5			79

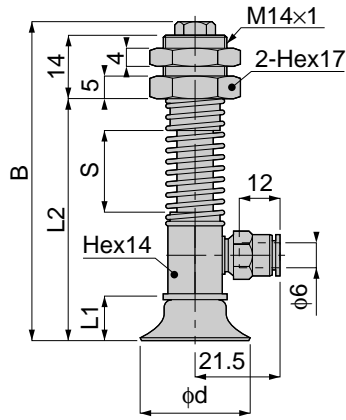
※ The dimension in ( ) is that for the deep pad.

# Vacuum Series Vacuum Pad Long Stroke



**VPD**  
C TYPE

Long stroke  
without cover  
vacuum port  
side



unit:mm

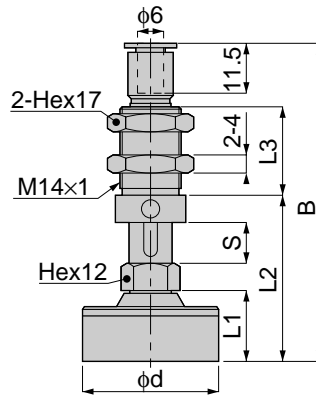
Model	Pad dia. φd	B	L1	L2	Stroke S	Spring force (N)	Mass (g)		
VPD 20-20R(A)□-6JC	20	71.5(72.5)	10(11)	54.5(55.5)	20	1.96~5.88	68	1	6
VPD 20-30R(A)□-6JC		84.5(85.5)		67.5(68.5)	30		74.5		
VPD 20-40R(A)□-6JC		97.5(98.5)		80.5(81.5)	40	0.98~4.90	81.5		
VPD 20-50R(A)□-6JC		110.5(111.5)		93.5(94.5)	50		88.5		
VPD 25-20R(A)□-6JC	25	72.5(73.5)	11(12)	55.5(56.5)	20	1.96~5.88	69	2	7
VPD 25-30R(A)□-6JC		85.5(86.5)		68.5(69.5)	30		75.5		
VPD 25-40R(A)□-6JC		98.5(99.5)		81.5(82.5)	40	0.98~4.90	82.5		
VPD 25-50R(A)□-6JC		111.5(112.5)		94.5(95.5)	50		89		
VPD 30-20R(A)□-6JC	30	72.5(75.5)	11(14)	55.5(58.5)	20	1.96~5.88	70	3	8
VPD 30-30R(A)□-6JC		85.5(88.5)		68.5(71.5)	30		77		
VPD 30-40R(A)□-6JC		98.5(101.5)		81.5(84.5)	40	0.98~4.90	83.5		
VPD 30-50R(A)□-6JC		111.5(114.5)		94.5(97.5)	50		90.5		
VPD 40-20R(A)□-6JC	40	75.5(79)	14(17.5)	58.5(62)	20	1.96~5.88	77	4	9
VPD 40-30R(A)□-6JC		88.5(92)		71.5(75)	30		83.5		
VPD 40-40R(A)□-6JC		101.5(105)		84.5(88)	40	0.98~4.90	97.5		
VPD 40-50R(A)□-6JC		114.5(118)		97.5(101)	50		82.5		
VPD 50-20R(A)□-6JC	50	76.5(79.5)	15(18)	59.5(62.5)	20	1.96~5.88	89	5	10
VPD 50-30R(A)□-6JC		89.5(82.5)		72.5(75.5)	30		96		
VPD 50-40R(A)□-6JC		102.5(105.5)		85.5(88.5)	40	0.98~4.90	103		
VPD 50-50R(A)□-6JC		115.5(118.5)		98.5(101.5)	50		78		

※ The dimension in ( ) is that for the deep pad.

# Vacuum Series Vacuum Pad Long Stroke

**VPC**  
LONG STROKE

Long stroke  
sponge type  
vacuum port  
top



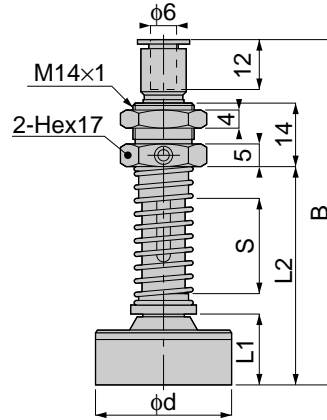
unit:mm

Model	Pad dia. $\phi d$	B	L1	L2	L3	Stroke S	Spring force (N)	Mass (g)
VPC 10-10S-6J	10	66.5	9.5	32	20	10	1.96~5.88	
VPC 10-15S-6J		76.5		37	25	15		
VPC 10-20S-6J		92.5		44	34	20		
VPC 15-10S-6J	15	66.5	9.5	32	20	10	1.96~5.88	
VPC 15-15S-6J		76.5		37	25	15		
VPC 15-20S-6J		92.5		44	34	20		
VPC 20-10S-6J	20	74	15.5	39.5	20	10	2.94~15.7	
VPC 20-15S-6J		84		44.5	25	15		
VPC 20-20S-6J		100		51.5	34	20		
VPC 25-10S-6J	25	74	15.5	39.5	20	10	2.94~15.7	
VPC 25-15S-6J		84		44.5	25	15		
VPC 25-20S-6J		100		51.5	34	20		
VPC 30-10S-6J	30	74	15.5	39.5	20	10	2.94~15.7	
VPC 30-15S-6J		84		44.5	25	15		
VPC 30-20S-6J		100		51.5	34	20		
VPC 35-10S-6J	35	86.5	28	52	20	10	2.94~15.7	
VPC 35-15S-6J		96.5		57	25	15		
VPC 35-20S-6J		112.5		64	34	20		
VPC 50-10S-6J	50	86.5	28	52	20	10	2.94~15.7	
VPC 50-15S-6J		96.5		57	25	15		
VPC 50-20S-6J		112.5		64	34	20		

# Vacuum Series Vacuum Pad Long Stroke

**VPC**  
C TYPE

Long stroke  
sponge type without cover  
vacuum port top



unit:mm

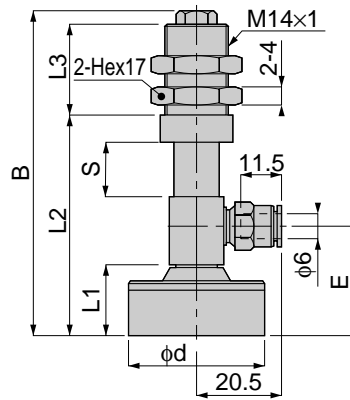
Model	Pad dia. φd	B	L1	L2	Stroke S	Spring force (N)	Mass (g)
VPC 10-20S-6JC	10	71	9.5	42.5	20	1.96~5.88	
VPC 10-30S-6JC		84		55.5	30		
VPC 10-40S-6JC		97		68.5	40	0.98~4.90	
VPC 10-50S-6JC		110		81.5	50		
VPC 15-20S-6JC	15	71	9.5	42.5	20	1.96~5.88	
VPC 15-30S-6JC		84		55.5	30		
VPC 15-40S-6JC		97		68.5	40	0.98~4.90	
VPC 15-50S-6JC		110		81.5	50		
VPC 20-20S-6JC	20	77	15.5	48.5	20	1.96~5.88	
VPC 20-30S-6JC		90		61.5	30		
VPC 20-40S-6JC		103		74.5	40	0.98~4.90	
VPC 20-50S-6JC		116		87.5	50		
VPC 25-20S-6JC	25	77	15.5	48.5	20	1.96~5.88	
VPC 25-30S-6JC		90		61.5	30		
VPC 25-40S-6JC		103		74.5	40	0.98~4.90	
VPC 25-50S-6JC		116		87.5	50		
VPC 30-20S-6JC	30	77	15.5	48.5	20	1.96~5.88	
VPC 30-30S-6JC		90		61.5	30		
VPC 30-40S-6JC		103		74.5	40	0.98~4.90	
VPC 30-50S-6JC		116		87.5	50		
VPC 35-20S-6JC	40	89.5	28	61	20	1.96~5.88	
VPC 35-30S-6JC		102.5		74	30		
VPC 35-40S-6JC		115.5		87	40	0.98~4.90	
VPC 35-50S-6JC		128.5		100	50		
VPC 50-20S-6JC	50	89.5	28	61	20	1.96~5.88	
VPC 50-30S-6JC		102.5		74	30		
VPC 50-40S-6JC		115.5		87	40	0.98~4.90	
VPC 50-50S-6JC		128.5		100	50		



# Vacuum Series Vacuum Pad Long Stroke

**VPD**  
LONG STROKE

Long stroke  
sponge type  
vacuum port  
side



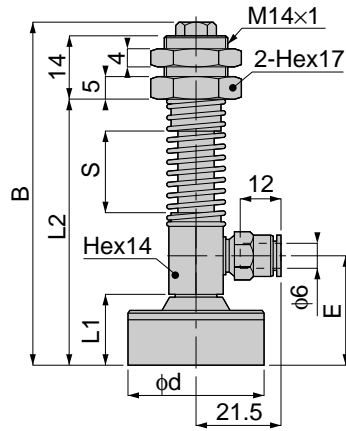
unit:mm

Model	Pad dia. φd	B	L1	L2	L3	Stroke S	E	Spring force (N)	Mass (g)
VPD 10-10S-6J	10	64.5	9.5	41.5	20	10	16.5	1.96~5.88	
VPD 10-15S-6J		74.5		46.5	25	15			
VPD 10-20S-6J		90.5		53.5	34	20			
VPD 15-10S-6J	15	64.5	9.5	41.5	20	10	16.5	1.96~5.88	
VPD 15-15S-6J		74.5		46.5	25	15			
VPD 15-20S-6J		90.5		53.5	34	20			
VPD 20-10S-6J	20	71.5	15.5	48.5	20	10	24	2.94~15.7	
VPD 20-15S-6J		81.5		53.5	25	15			
VPD 20-20S-6J		97.5		60.5	34	20			
VPD 25-10S-6J	25	71.5	15.5	48.5	20	10	24	2.94~15.7	
VPD 25-15S-6J		81.5		53.5	25	15			
VPD 25-20S-6J		97.5		60.5	34	20			
VPD 30-10S-6J	30	71.5	15.5	48.5	20	10	24	2.94~15.7	
VPD 30-15S-6J		81.5		53.5	25	15			
VPD 30-20S-6J		97.5		60.5	34	20			
VPD 35-10S-6J	35	84	28	61	20	10	36.5	2.94~15.7	
VPD 35-15S-6J		94		66	25	15			
VPD 35-20S-6J		110		73	34	20			
VPD 50-10S-6J	50	84	28	61	20	10	36.5	2.94~15.7	
VPD 50-15S-6J		94		66	25	15			
VPD 50-20S-6J		110		73	34	20			

# Vacuum Series Vacuum Pad Long Stroke

**VPD**  
C TYPE

Long stroke  
sponge type without cover  
vacuum port side



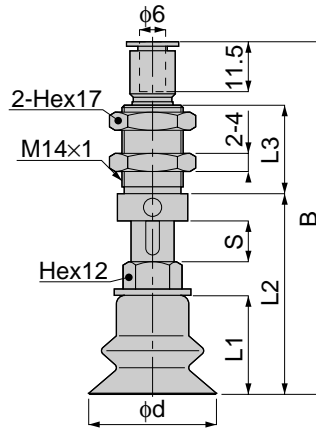
unit:mm

Model	Pad dia. φd	B	L1	L2	Stroke S	E	Spring force (N)	Mass (g)
VPD 10-20S-6JC	10	71	9.5	54	20	18	1.96~5.88	
VPD 10-30S-6JC		84		67	30			
VPD 10-40S-6JC		97		80	40		0.98~4.90	
VPD 10-50S-6JC		110		93	50			
VPD 15-20S-6JC	15	71	9.5	54	20	18	1.96~5.88	
VPD 15-30S-6JC		84		67	30			
VPD 15-40S-6JC		97		80	40		0.98~4.90	
VPD 15-50S-6JC		110		93	50			
VPD 20-20S-6JC	20	77	15.5	60	20	24	1.96~5.88	
VPD 20-30S-6JC		90		73	30			
VPD 20-40S-6JC		103		86	40		0.98~4.90	
VPD 20-50S-6JC		116		99	50			
VPD 25-20S-6JC	25	77	15.5	60	20	24	1.96~5.88	
VPD 25-30S-6JC		90		73	30			
VPD 25-40S-6JC		103		86	40		0.98~4.90	
VPD 25-50S-6JC		116		99	50			
VPD 30-20S-6JC	30	77	15.5	60	20	24	1.96~5.88	
VPD 30-30S-6JC		90		73	30			
VPD 30-40S-6JC		103		86	40		0.98~4.90	
VPD 30-50S-6JC		116		99	50			
VPD 35-20S-6JC	35	89.5	28	72.5	20	36.5	1.96~5.88	
VPD 35-30S-6JC		102.5		85.5	30			
VPD 35-40S-6JC		115.5		98.5	40		0.98~4.90	
VPD 35-50S-6JC		128.5		111.5	50			
VPD 50-20S-6JC	50	89.5	28	72.5	20	36.5	1.96~5.88	
VPD 50-30S-6JC		102.5		85.5	30			
VPD 50-40S-6JC		115.5		98.5	40		0.98~4.90	
VPD 50-50S-6JC		128.5		111.5	50			

# Vacuum Series Vacuum Pad Long Stroke

**VPC**  
LONG STROKE

Long stroke  
Bellows type  
vacuum port  
top



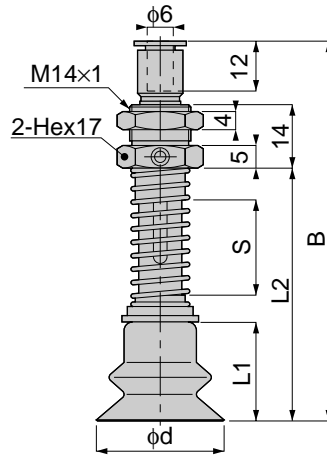
unit:mm

Model	Pad dia. φd	B		L1		L2		L3	Stroke S	Spring force (N)	Mass (g)
		max	min	max	min	max	min				
VPC 10-10BN-6J	10	73	69	16	12	38.5	34.5	20	10	1.96~5.88	
VPC 10-15BN-6J		83	79			43.5	39.5	25	15		
VPC 10-20BN-6J		99	95			50.5	46.5	34	20		
VPC 20-10BN-6J	20	77.5	71.5	19	13	43	37	20	10	2.94~15.7	
VPC 20-15BN-6J		87.5	81.5			48	42	25	15		
VPC 20-20BN-6J		103.5	97.5			55	49	34	20		
VPC 30-10BN-6J	30	81.5	73.5	23	15	47	39	20	10	2.94~15.7	
VPC 30-15BN-6J		91.5	83.5			52	44	25	15		
VPC 30-20BN-6J		107.5	99.5			59	51	34	20		
VPC 40-10BN-6J	40	88.5	79	30	20.5	54	44.5	20	10	2.94~15.7	
VPC 40-15BN-6J		98.5	89			59	49.5	25	15		
VPC 40-20BN-6J		114.5	105			66	56.5	34	20		
VPC 50-10BN-6J	50	90.5	79.5	32	21	56	45	20	10	2.94~15.7	
VPC 50-15BN-6J		100.5	89.5			61	50	25	15		
VPC 50-20BN-6J		116.5	105.5			68	57	34	20		

# Vacuum Series Vacuum Pad Long Stroke

**VPC**  
C TYPE

Long stroke  
Bellows type without cover  
vacuum port top



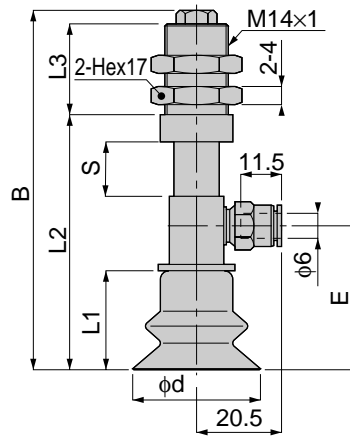
unit:mm

Model	Pad dia. φd	B		L1		L2		Stroke S	Spring force (N)	Mass (g)
		max	min	max	min	max	min			
VPC 20-20BN-6JC	20	80.5	74.5	19	13	52	46	20	1.96~5.88	
VPC 20-30BN-6JC		93.5	87.5			65	59	30		
VPC 20-40BN-6JC		106.5	100.5			78	72	40	0.98~4.90	
VPC 20-50BN-6JC		119.5	113.5			91	85	50		
VPC 30-20BN-6JC	30	84.5	76.5	23	15	56	48	20	1.96~5.88	
VPC 30-30BN-6JC		97.5	89.5			69	61	30		
VPC 30-40BN-6JC		110.5	102.5			82	74	40	0.98~4.90	
VPC 30-50BN-6JC		123.5	115.5			95	87	50		
VPC 40-20BN-6JC	40	91.5	82	30	20.5	63	53.5	20	1.96~5.88	
VPC 40-30BN-6JC		104.5	95			76	66.5	30		
VPC 40-40BN-6JC		117.5	108			89	79.5	40	0.98~4.90	
VPC 40-50BN-6JC		130.5	121			102	92.5	50		
VPC 50-20BN-6JC	50	93.5	82.5	32	21	65	54	20	1.96~5.88	
VPC 50-30BN-6JC		106.5	95.5			78	67	30		
VPC 50-40BN-6JC		119.5	108.5			91	80	40	0.98~4.90	
VPC 50-50BN-6JC		132.5	121.5			104	93	50		

# Vacuum Series Vacuum Pad Long Stroke

**VPD**  
LONG STROKE

Long stroke  
Bellows type  
vacuum port  
side



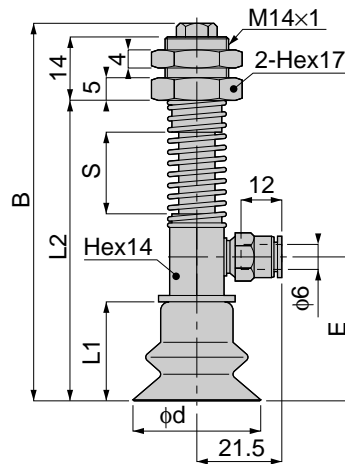
unit:mm

Model	Pad dia. φd	B		L1		L2		L3	Stroke S	E		Spring force (N)	Mass (g)
		max	min	max	min	max	min			max	min		
VPD 10-10BN-6J	10	71	67	16	12	48	44	20	10	23	19	1.96~5.88	
VPD 10-15BN-6J		81	77			53	49	25	15				
VPD 10-20BN-6J		97	93			60	56	34	20				
VPD 20-10BN-6J	20	75	69	19	13	52	46	20	10	27.5	21.5	2.94~15.7	
VPD 20-15BN-6J		85	79			57	51	25	15				
VPD 20-20BN-6J		101	95			64	58	34	20				
VPD 30-10BN-6J	30	79	71	23	15	56	48	20	10	31.5	23.5	2.94~15.7	
VPD 30-15BN-6J		89	81			61	53	25	15				
VPD 30-20BN-6J		105	97			68	60	34	20				
VPD 40-10BN-6J	40	86	76.5	30	20.5	63	53.5	20	10	38.5	29	2.94~15.7	
VPD 40-15BN-6J		96	86.5			68	58.5	25	15				
VPD 40-20BN-6J		112	102.5			75	65.5	34	20				
VPD 50-10BN-6J	50	88	77	32	21	65	54	20	10	40.5	29.5	2.94~15.7	
VPD 50-15BN-6J		98	87			70	59	25	15				
VPD 50-20BN-6J		114	103			77	66	34	20				

# Vacuum Series Vacuum Pad Long Stroke

**VPD**  
C TYPE

Long stroke  
Bellows type without cover  
vacuum port side



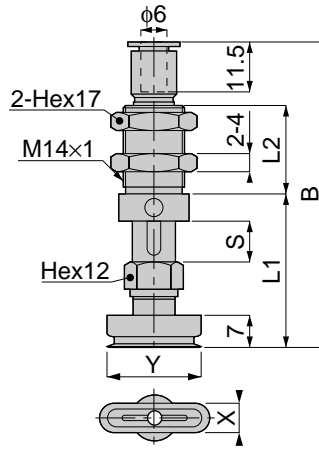
unit:mm

Model	Pad dia. φd	B		L1		L2		Stroke S	E		Spring force (N)	Mass (g)
		max	min	max	min	max	min		max	min		
VPD 20-20BN-6JC	20	80.5	74.5	19	13	63.5	57.5	20	27.5	21.5	1.96~5.88	
VPD 20-30BN-6JC		93.5	87.5			76.5	70.5	30				
VPD 20-40BN-6JC		106.5	100.5			89.5	83.5	40				
VPD 20-50BN-6JC		119.5	113.5			102.5	96.5	50				
VPD 30-20BN-6JC	30	84.5	76.5	23	15	67.5	59.5	20	31.5	23.5	1.96~5.88	
VPD 30-30BN-6JC		97.5	89.5			80.5	72.5	30				
VPD 30-40BN-6JC		110.5	102.5			93.5	85.5	40				
VPD 30-50BN-6JC		123.5	115.5			106.5	98.5	50				
VPD 40-20BN-6JC	40	91.5	82	30	20.5	74.5	65	20	38.5	29	1.96~5.88	
VPD 40-30BN-6JC		104.5	95			87.5	78	30				
VPD 40-40BN-6JC		117.5	108			100.5	91	40				
VPD 40-50BN-6JC		130.5	121			113.5	104	50				
VPD 50-20BN-6JC	50	93.5	82.5	32	21	76.5	65.5	20	40.5	29.5	1.96~5.88	
VPD 50-30BN-6JC		106.5	95.5			89.5	78.5	30				
VPD 50-40BN-6JC		119.5	108.5			102.5	91.5	40				
VPD 50-50BN-6JC		132.5	121.5			115.5	104.5	50				

# Vacuum Series Vacuum Pad Long Stroke



Long stroke  
Oval type  
vacuum port  
top



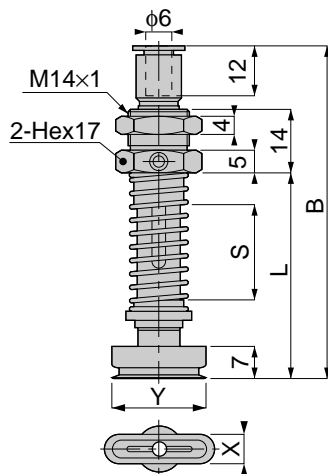
unit:mm

Model	Pad dia.		B	L1	L2	Stroke S	Spring force (N)	Mass (g)
	X	Y						
VPC 4x10-10EN-6J	4	10	69.5	35	20	10	2.94~15.7	
VPC 4x10-15EN-6J			79.5	40	25	15		
VPC 4x10-20EN-6J			95.5	47	34	20		
VPC 4x20-10EN-6J	4	20	69.5	35	20	10	2.94~15.7	
VPC 4x20-15EN-6J			79.5	40	25	15		
VPC 4x20-20EN-6J			95.5	47	34	20		
VPC 4x30-10EN-6J	4	30	69.5	35	20	10	2.94~15.7	
VPC 4x30-15EN-6J			79.5	40	25	15		
VPC 4x30-20EN-6J			95.5	47	34	20		
VPC 5x10-10EN-6J	5	10	69.5	35	20	10	2.94~15.7	
VPC 5x10-15EN-6J			79.5	40	25	15		
VPC 5x10-20EN-6J			95.5	47	34	20		
VPC 5x20-10EN-6J	5	20	69.5	35	20	10	2.94~15.7	
VPC 5x20-15EN-6J			79.5	40	25	15		
VPC 5x20-20EN-6J			95.5	47	34	20		
VPC 5x30-10EN-6J	5	30	69.5	35	20	10	2.94~15.7	
VPC 5x30-15EN-6J			79.5	40	25	15		
VPC 5x30-20EN-6J			95.5	47	34	20		
VPC 6x10-10EN-6J	6	10	69.5	35	20	10	2.94~15.7	
VPC 6x10-15EN-6J			79.5	40	25	15		
VPC 6x10-20EN-6J			95.5	47	34	20		
VPC 6x20-10EN-6J	6	20	69.5	35	20	10	2.94~15.7	
VPC 6x20-15EN-6J			79.5	40	25	15		
VPC 6x20-20EN-6J			95.5	47	34	20		
VPC 6x30-10EN-6J	6	30	69.5	35	20	10	2.94~15.7	
VPC 6x30-15EN-6J			79.5	40	25	15		
VPC 6x30-20EN-6J			95.5	47	34	20		
VPC 8x20-10EN-6J	8	20	69.5	35	20	10	2.94~15.7	
VPC 8x20-15EN-6J			79.5	40	25	15		
VPC 8x20-20EN-6J			95.5	47	34	20		
VPC 8x30-10EN-6J	8	30	69.5	35	20	10	2.94~15.7	
VPC 8x30-15EN-6J			79.5	40	25	15		
VPC 8x30-20EN-6J			95.5	47	34	20		

# Vacuum Series Vacuum Pad Long Stroke

**VPC**  
C TYPE

Long stroke  
Oval type without cover  
vacuum port top



unit:mm

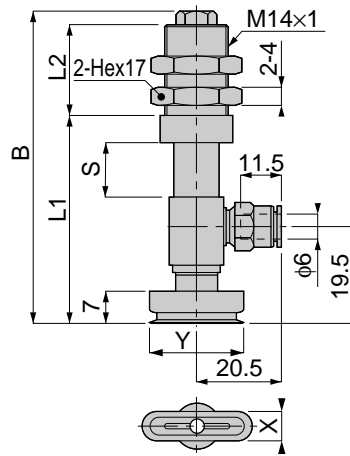
Model	Pad dia.		B	L	Stroke S	Spring force (N)	Mass (g)
	X	Y					
VPC 4x10-20EN-6JC	4	10	72.5	44	20	1.96~5.88	
VPC 4x10-30EN-6JC			85.5	57	30		
VPC 4x10-40EN-6JC			98.5	70	40		
VPC 4x10-50EN-6JC			111.5	83	50		
VPC 4x20-20EN-6JC	4	20	72.5	44	20	1.96~5.88	
VPC 4x20-30EN-6JC			85.5	57	30		
VPC 4x20-40EN-6JC			98.5	70	40		
VPC 4x20-50EN-6JC			111.5	83	50		
VPC 4x30-20EN-6JC	4	30	72.5	44	20	1.96~5.88	
VPC 4x30-30EN-6JC			85.5	57	30		
VPC 4x30-40EN-6JC			98.5	70	40		
VPC 4x30-50EN-6JC			111.5	83	50		
VPC 5x10-20EN-6JC	5	10	72.5	44	20	1.96~5.88	
VPC 5x10-30EN-6JC			85.5	57	30		
VPC 5x10-40EN-6JC			98.5	70	40		
VPC 5x10-50EN-6JC			111.5	83	50		
VPC 5x20-20EN-6JC	5	20	72.5	44	20	1.96~5.88	
VPC 5x20-30EN-6JC			85.5	57	30		
VPC 5x20-40EN-6JC			98.5	70	40		
VPC 5x20-50EN-6JC			111.5	83	50		
VPC 5x30-20EN-6JC	5	30	72.5	44	20	1.96~5.88	
VPC 5x30-30EN-6JC			85.5	57	30		
VPC 5x30-40EN-6JC			98.5	70	40		
VPC 5x30-50EN-6JC			111.5	83	50		
VPC 6x10-20EN-6JC	6	10	72.5	44	20	1.96~5.88	
VPC 6x10-30EN-6JC			85.5	57	30		
VPC 6x10-40EN-6JC			98.5	70	40		
VPC 6x10-50EN-6JC			111.5	83	50		
VPC 6x20-20EN-6JC	6	20	72.5	44	20	1.96~5.88	
VPC 6x20-30EN-6JC			85.5	57	30		
VPC 6x20-40EN-6JC			98.5	70	40		
VPC 6x20-50EN-6JC			111.5	83	50		
VPC 6x30-20EN-6JC	6	30	72.5	44	20	1.96~5.88	
VPC 6x30-30EN-6JC			85.5	57	30		
VPC 6x30-40EN-6JC			98.5	70	40		
VPC 6x30-50EN-6JC			111.5	83	50		
VPC 8x20-20EN-6JC	8	20	72.5	44	20	1.96~5.88	
VPC 8x20-30EN-6JC			85.5	57	30		
VPC 8x20-40EN-6JC			98.5	70	40		
VPC 8x20-50EN-6JC			111.5	83	50		
VPC 8x30-20EN-6JC	8	30	72.5	44	20	1.96~5.88	
VPC 8x30-30EN-6JC			85.5	57	30		
VPC 8x30-40EN-6JC			98.5	70	40		
VPC 8x30-50EN-6JC			111.5	83	50		



# Vacuum Series Vacuum Pad Long Stroke

**VPD**  
LONG STROKE

Long stroke  
Oval type  
vacuum port  
side



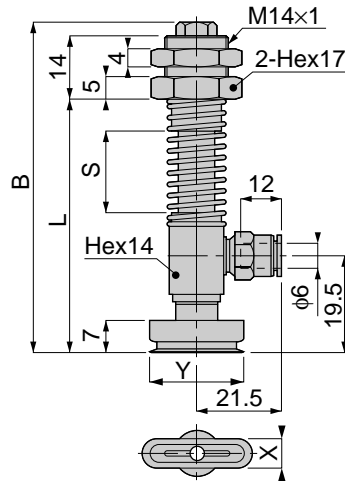
unit:mm

Model	Pad dia.		B	L1	L2	Stroke S	Spring force (N)	Mass (g)
	X	Y						
VPD 4x10-10EN-6J	10	10	67	44	20	10	2.94~15.7	
VPD 4x10-15EN-6J			77	49	25	15		
VPD 4x10-20EN-6J			93	56	34	20		
VPD 4x20-10EN-6J	20	20	67	44	20	10	2.94~15.7	
VPD 4x20-15EN-6J			77	49	25	15		
VPD 4x20-20EN-6J			93	56	34	20		
VPD 4x30-10EN-6J	30	30	67	44	20	10	2.94~15.7	
VPD 4x30-15EN-6J			77	49	25	15		
VPD 4x30-20EN-6J			93	56	34	20		
VPD 5x10-10EN-6J	40	40	67	44	20	10	2.94~15.7	
VPD 5x10-15EN-6J			77	49	25	15		
VPD 5x10-20EN-6J			93	56	34	20		
VPD 5x20-10EN-6J	10	10	67	44	20	10	2.94~15.7	
VPD 5x20-15EN-6J			77	49	25	15		
VPD 5x20-20EN-6J			93	56	34	20		
VPD 5x30-10EN-6J	20	20	67	44	20	10	2.94~15.7	
VPD 5x30-15EN-6J			77	49	25	15		
VPD 5x30-20EN-6J			93	56	34	20		
VPD 6x10-10EN-6J	30	30	67	44	20	10	2.94~15.7	
VPD 6x10-15EN-6J			77	49	25	15		
VPD 6x10-20EN-6J			93	56	34	20		
VPD 6x20-10EN-6J	40	40	67	44	20	10	2.94~15.7	
VPD 6x20-15EN-6J			77	49	25	15		
VPD 6x20-20EN-6J			93	56	34	20		
VPD 6x30-10EN-6J	10	10	67	44	20	10	2.94~15.7	
VPD 6x30-15EN-6J			77	49	25	15		
VPD 6x30-20EN-6J			93	56	34	20		
VPD 8x20-10EN-6J	20	20	67	44	20	10	2.94~15.7	
VPD 8x20-15EN-6J			77	49	25	15		
VPD 8x20-20EN-6J			93	56	34	20		
VPD 8x30-10EN-6J	30	30	67	44	20	10	2.94~15.7	
VPD 8x30-15EN-6J			77	49	25	15		
VPD 8x30-20EN-6J			93	56	34	20		

# Vacuum Series Vacuum Pad Long Stroke

**VPD**  
C TYPE

Long stroke  
Oval type without cover  
vacuum port top



unit:mm

Model	Pad dia.		B	L	Stroke S	Spring force (N)	Mass (g)
	X	Y					
VPD 4x10-20EN-6JC	4	10	72.5	55.5	20	1.96~5.88	
VPD 4x10-30EN-6JC			85.5	68.5	30		
VPD 4x10-40EN-6JC			98.5	81.5	40	0.98~4.90	
VPD 4x10-50EN-6JC			111.5	94.5	50		
VPD 4x20-20EN-6JC	4	20	72.5	55.5	20	1.96~5.88	
VPD 4x20-30EN-6JC			85.5	68.5	30		
VPD 4x20-40EN-6JC			98.5	81.5	40	0.98~4.90	
VPD 4x20-50EN-6JC			111.5	94.5	50		
VPD 4x30-20EN-6JC	4	30	72.5	55.5	20	1.96~5.88	
VPD 4x30-30EN-6JC			85.5	68.5	30		
VPD 4x30-40EN-6JC			98.5	81.5	40	0.98~4.90	
VPD 4x30-50EN-6JC			111.5	94.5	50		
VPD 5x10-20EN-6JC	5	10	72.5	55.5	20	1.96~5.88	
VPD 5x10-30EN-6JC			85.5	68.5	30		
VPD 5x10-40EN-6JC			98.5	81.5	40	0.98~4.90	
VPD 5x10-50EN-6JC			111.5	94.5	50		
VPD 5x20-20EN-6JC	5	20	72.5	55.5	20	1.96~5.88	
VPD 5x20-30EN-6JC			85.5	68.5	30		
VPD 5x20-40EN-6JC			98.5	81.5	40	0.98~4.90	
VPD 5x20-50EN-6JC			111.5	94.5	50		
VPD 5x30-20EN-6JC	5	30	72.5	55.5	20	1.96~5.88	
VPD 5x30-30EN-6JC			85.5	68.5	30		
VPD 5x30-40EN-6JC			98.5	81.5	40	0.98~4.90	
VPD 5x30-50EN-6JC			111.5	94.5	50		
VPD 6x10-20EN-6JC	6	10	72.5	55.5	20	1.96~5.88	
VPD 6x10-30EN-6JC			85.5	68.5	30		
VPD 6x10-40EN-6JC			98.5	81.5	40	0.98~4.90	
VPD 6x10-50EN-6JC			111.5	94.5	50		
VPD 6x20-20EN-6JC	6	20	72.5	55.5	20	1.96~5.88	
VPD 6x20-30EN-6JC			85.5	68.5	30		
VPD 6x20-40EN-6JC			98.5	81.5	40	0.98~4.90	
VPD 6x20-50EN-6JC			111.5	94.5	50		
VPD 6x30-20EN-6JC	6	30	72.5	55.5	20	1.96~5.88	
VPD 6x30-30EN-6JC			85.5	68.5	30		
VPD 6x30-40EN-6JC			98.5	81.5	40	0.98~4.90	
VPD 6x30-50EN-6JC			111.5	94.5	50		
VPD 8x20-20EN-6JC	8	20	72.5	55.5	20	1.96~5.88	
VPD 8x20-30EN-6JC			85.5	68.5	30		
VPD 8x20-40EN-6JC			98.5	81.5	40	0.98~4.90	
VPD 8x20-50EN-6JC			111.5	94.5	50		
VPD 8x30-20EN-6JC	8	30	72.5	55.5	20	1.96~5.88	
VPD 8x30-30EN-6JC			85.5	68.5	30		
VPD 8x30-40EN-6JC			98.5	81.5	40	0.98~4.90	
VPD 8x30-50EN-6JC			111.5	94.5	50		