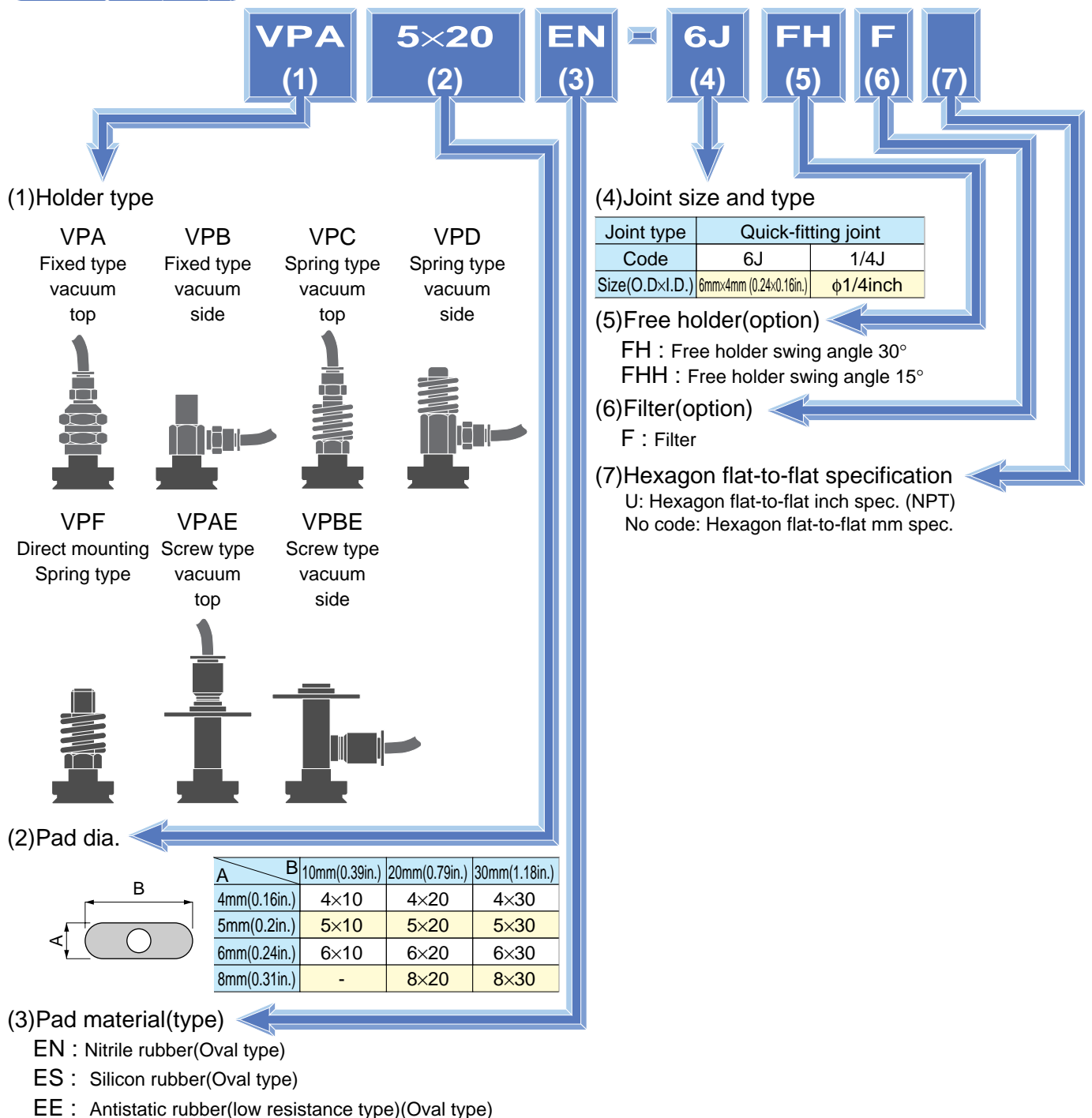


# Quick-fitting type Vacuum pad Vacuum pad Oval Type

## Features

- The elliptic pads are best suited to hold round bars or like works which have so far required two or more small pads.
- Antistatic rubber(low resistance type) is made up of butadiene rubber and pad surface resistance is below 200Ω. Plastic components of the holder is made up of antistatic resin.
  - ◆ Pad dia. : 11Types
  - ◆ Pad material : Nitrile rubber, Silicon rubber, Antistatic rubber(low resistance type)
  - ◆ Holder type : 7 Types

## Model Designation(Example)

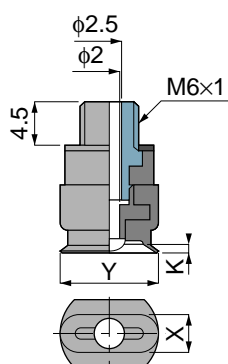


## ⚠ Detailed Safety Instruction

Before using the PISCO device, be sure to read the "Safetr Instructions", "Common Safety Instructions for Products Listed in This Manual" on page 23~24 and "Common Safety Instructions for Vacuum Pads on page 439~440.

# Vacuum Series Vacuum Pad Oval Type

## ● Pad Mounting Type

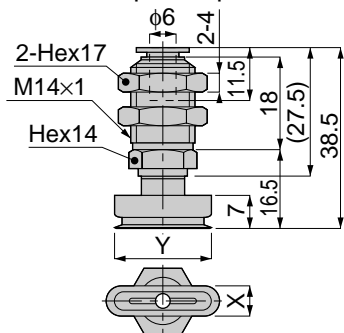


unit:mm

Model	Pad dia.		K
	X	Y	
VP 4×10E□	4	10	0.8
VP 4×20E□		20	1
VP 4×30E□		30	
VP 5×10E□	5	10	0.8
VP 5×20E□		20	1
VP 5×30E□		30	
VP 6×10E□	6	10	0.8
VP 6×20E□		20	1
VP 6×30E□		30	
VP 8×20E□	8	20	1
VP 8×30E□		30	
VP 6×10E□A	6	10	0.8
VP 6×20E□A		20	1
VP 6×30E□A		30	
VP 8×20E□A	8	20	1
VP 8×30E□A		30	

## VPA OVAL

### Fixed type vacuum port top

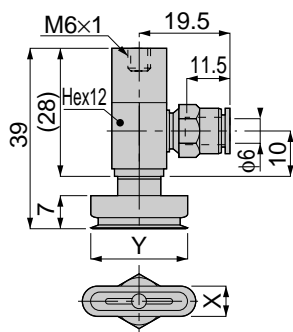


unit:mm

Model	Pad dia.		Mass (g)
	X	Y	
VPA 4×10E□-6J	4	10	31.5
VPA 4×20E□-6J		20	32
VPA 4×30E□-6J		30	
VPA 5×10E□-6J	5	10	31.5
VPA 5×20E□-6J		20	32
VPA 5×30E□-6J		30	32.5
VPA 6×10E□-6J	6	10	31.5
VPA 6×20E□-6J		20	32
VPA 6×30E□-6J		30	32.5
VPA 8×20E□-6J	8	20	32
VPA 8×30E□-6J		30	32.5

## VPB OVAL

### Fixed type vacuum port side



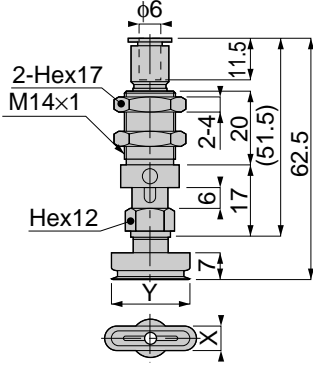
unit:mm

Model	Pad dia.		Mass (g)
	X	Y	
VPB 4×10E□-6J	4	10	28.5
VPB 4×20E□-6J		20	29
VPB 4×30E□-6J		30	
VPB 5×10E□-6J	5	10	28.5
VPB 5×20E□-6J		20	29
VPB 5×30E□-6J		30	29.5
VPB 6×10E□-6J	6	10	28.5
VPB 6×20E□-6J		20	29
VPB 6×30E□-6J		30	29.5
VPB 8×20E□-6J	8	20	29
VPB 8×30E□-6J		30	29.5

# Vacuum Series Vacuum Pad Oval Type

## VPC OVAL

Spring type vacuum port top



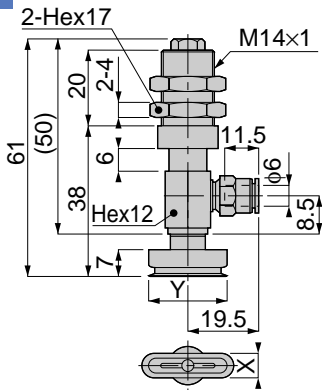
unit:mm

Model	Pad dia.		Mass (g)
	X	Y	
VPC 4x10E□-6J	4	10	34
VPC 4x20E□-6J		20	34.5
VPC 4x30E□-6J		30	
VPC 5x10E□-6J	5	10	34
VPC 5x20E□-6J		20	34.5
VPC 5x30E□-6J		30	35
VPC 6x10E□-6J	6	10	34
VPC 6x20E□-6J		20	34.5
VPC 6x30E□-6J		30	35
VPC 8x20E□-6J	8	20	34.5
VPC 8x30E□-6J		30	35



## VPD OVAL

Spring type vacuum port top



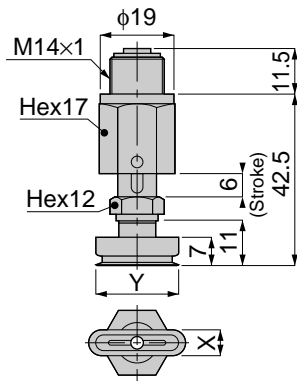
unit:mm

Model	Pad dia.		Mass (g)
	X	Y	
VPD 4x10E□-6J	4	10	46
VPD 4x20E□-6J		20	46.5
VPD 4x30E□-6J		30	
VPD 5x10E□-6J	5	10	46
VPD 5x20E□-6J		20	46.5
VPD 5x30E□-6J		30	47
VPD 6x10E□-6J	6	10	46
VPD 6x20E□-6J		20	46.5
VPD 6x30E□-6J		30	47
VPD 8x20E□-6J	8	20	46.5
VPD 8x30E□-6J		30	47



## VPF OVAL

Spring & Direct Mounting type



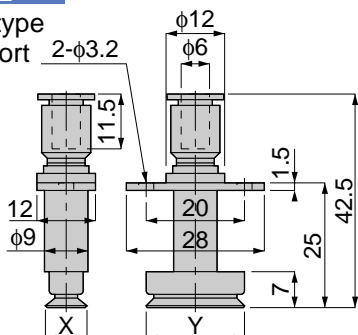
unit:mm

Model	Pad dia.		Mass (g)
	X	Y	
VPF 4x10E□	4	10	
VPF 4x20E□		20	
VPF 4x30E□		30	
VPF 5x10E□	5	10	
VPF 5x20E□		20	
VPF 5x30E□		30	
VPF 6x10E□	6	10	
VPF 6x20E□		20	
VPF 6x30E□		30	
VPF 8x20E□	8	20	
VPF 8x30E□		30	



## VPAE OVAL

Screwed type vacuum port top



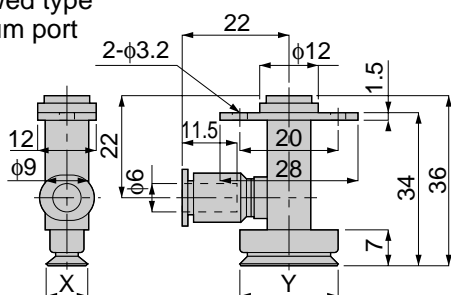
unit:mm

Model	Pad dia.		Mass (g)
	X	Y	
VPAE 4x10E□-6J	4	10	7
VPAE 4x20E□-6J		20	7.5
VPAE 4x30E□-6J		30	8
VPAE 5x10E□-6J	5	10	7
VPAE 5x20E□-6J		20	7.5
VPAE 5x30E□-6J		30	8
VPAE 6x10E□-6J	6	10	7
VPAE 6x20E□-6J		20	7.5
VPAE 6x30E□-6J		30	8
VPAE 8x20E□-6J	8	20	7.5
VPAE 8x30E□-6J		30	8

# Vacuum Series Vacuum Pad Oval Type

## VPBE OVAL

Screwed type  
vacuum port  
side

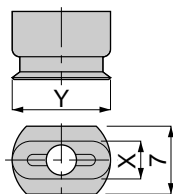


unit:mm

Model	Pad dia.		Mass (g)
	X	Y	
VPBE 4×10E□-6J	4	10	8
VPBE 4×20E□-6J		20	
VPBE 4×30E□-6J		30	8.5
VPBE 5×10E□-6J	5	10	8
VPBE 5×20E□-6J		20	
VPBE 5×30E□-6J		30	8.5
VPBE 6×10E□-6J	6	10	8
VPBE 6×20E□-6J		20	
VPBE 6×30E□-6J		30	8.5
VPBE 8×20E□-6J	8	20	8
VPBE 8×30E□-6J		30	8.5

## VP OVAL

Pad rubber only



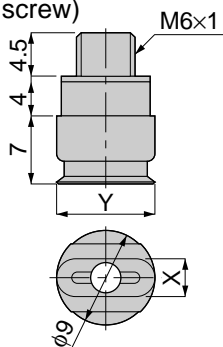
unit:mm

Model	Pad dia.		Mass (g)
	X	Y	
VP 4×10E□	4	10	0.5
VP 4×20E□		20	
VP 4×30E□		30	
VP 5×10E□	5	10	0.5
VP 5×20E□		20	
VP 5×30E□		30	
VP 6×10E□	6	10	0.5
VP 6×20E□		20	
VP 6×30E□		30	
VP 8×20E□	8	20	0.5
VP 8×30E□		30	1



## VP OVAL

Pad Rubber (with screw)



unit:mm

Model	Pad dia.		Mass (g)
	X	Y	
VP 4×10E□A	4	10	2
VP 4×20E□A		20	2.5
VP 4×30E□A		30	3
VP 5×10E□A	5	10	2
VP 5×20E□A		20	2.5
VP 5×30E□A		30	3
VP 6×10E□A	6	10	2
VP 6×20E□A		20	2.5
VP 6×30E□A		30	3
VP 8×20E□A	8	20	2.5
VP 8×30E□A		30	3

※Adding "A" to the end of the model code signifies screw attached.