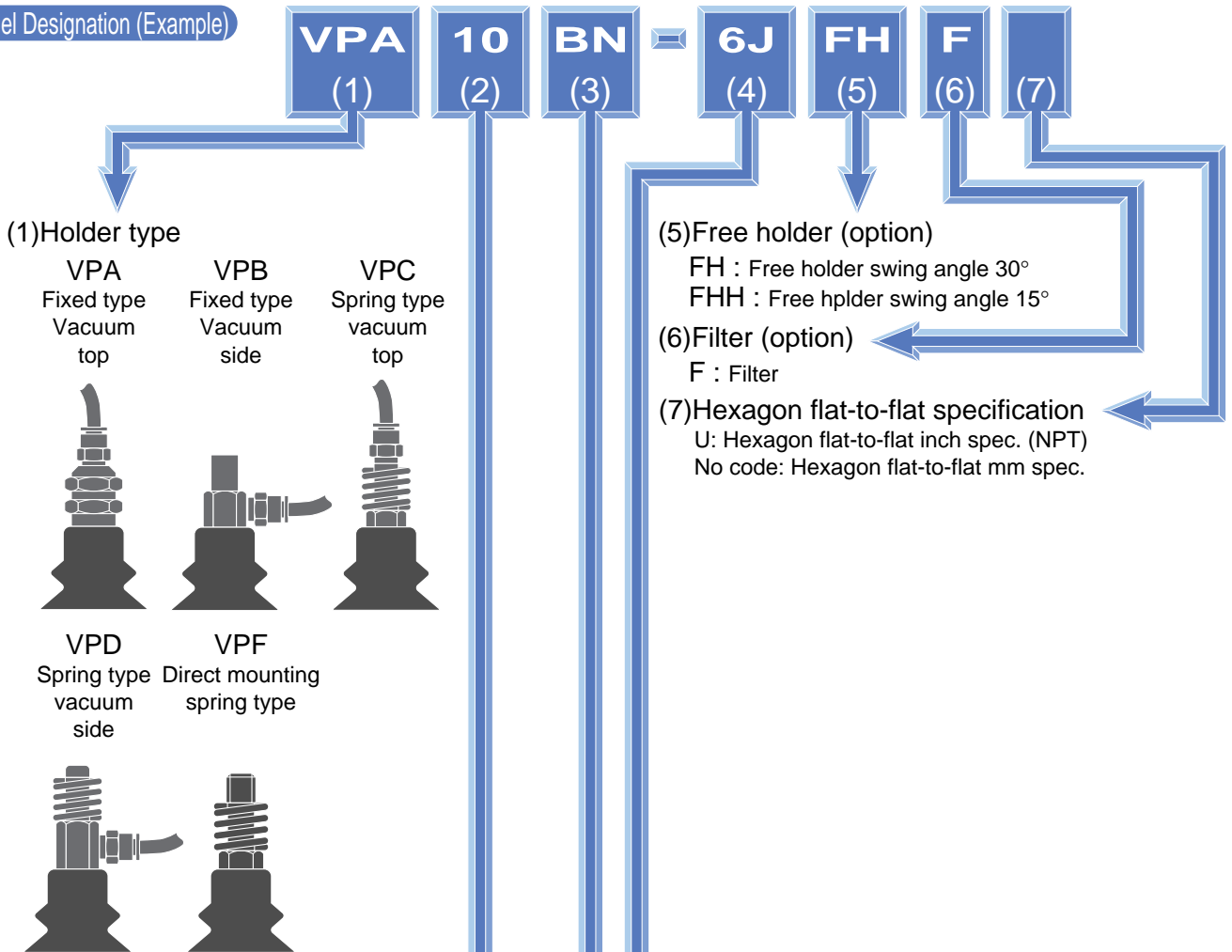


Quick-fitting Type Vacuum Pad Vacuum Pad Bellows Type

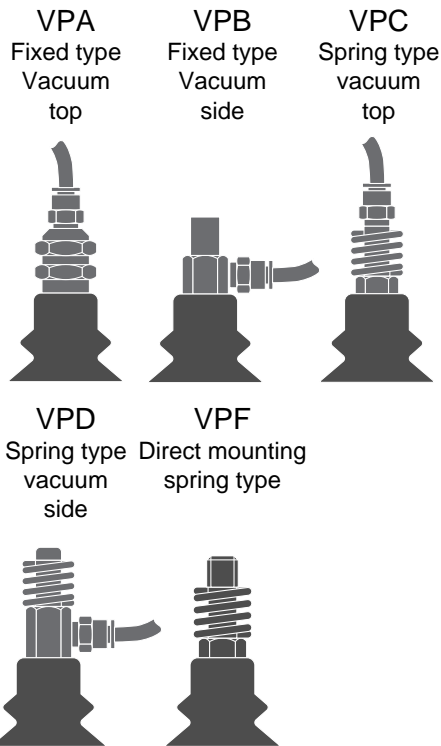
Features

- The bellows-type vacuum pad can hold extremely soft works such as paper or vinyl. It also displays the feature of an oscillating pad.
 - ◆ Pad dia. : $\phi 10 \sim \phi 80 \text{mm} (\phi 0.39 \sim \phi 3.15 \text{in.})$
 - ◆ Pad material : Nitrile rubber
 - ◆ Holder type : 5 types

Model Designation (Example)



(1) Holder type



(5) Free holder (option)

FH : Free holder swing angle 30°
FHH : Free holder swing angle 15°

(6) Filter (option)

F : Filter

(7) Hexagon flat-to-flat specification

U : Hexagon flat-to-flat inch spec. (NPT)
No code: Hexagon flat-to-flat mm spec.

(2) Pad dia.

Code		10	20	30
dia.	mm	$\phi 10$	$\phi 20$	$\phi 30$
	inch	0.39	0.79	1.18
Code		40	50	80
dia.	mm	$\phi 40$	$\phi 50$	$\phi 80$
	inch	1.57	1.97	3.15

(3) Pad material (type)

BN : Nitrile rubber (bellows type)
BS : Silicon rubber (bellows type)

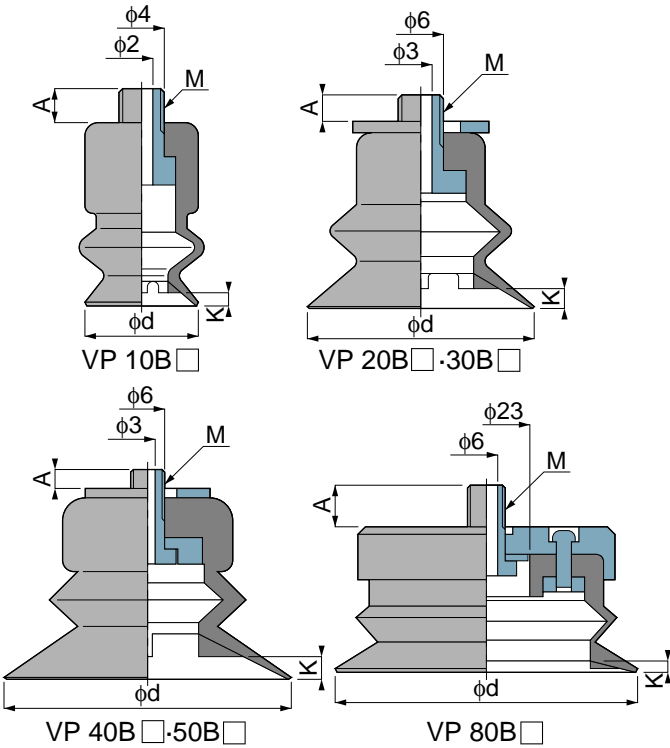
(4) Joint size and type

Joint type	Quick-fitting joint		Female thread	
Code	6J	1/4J	01	N1
Size(O.D.xI.D.)	6mmx4mm	$\phi 1/4 \text{in.}$	Rc1/8	NPT1/8
Pad dia.	$\phi 10 \text{mm} \sim \phi 50 \text{mm}$		$\phi 80 \text{mm}$	

⚠ Detailed Safety Instructions

Before using the PISCO device, be sure to read the "Safety Instructions", "Common Safety Instructions for Products Listed in This Manual" on pages 23~24 and "Common Safety Instructions for Vacuum Pads" on pages 439~440.

● Pad mounting shape



unit:mm

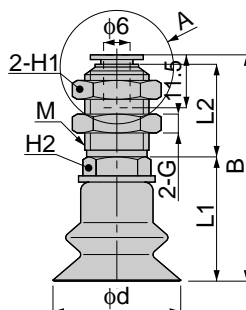
Type	Pad outer dia. ϕd	M	A	K
VP 10B□	10	M4×0.7	3	1
VP 20B□	20	M6×1	4	1.5
VP 30B□	30	M6×1	5	2.5
VP 40B□	40	M6×1	7	3
VP 50B□	50	M6×1	7	4
VP 80B□A	80	M10×1.5	4.5	2

*Adding "A" to the end of code signifies frame attached.

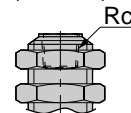
Vacuum Series Vacuum Pad Bellows Type

VPA BELLOWS

Fixed type vacuum port top



A Details (VPA 80)



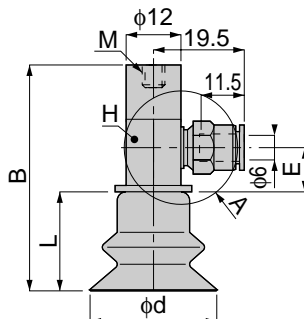
unit:mm

Model	Pad dia. φd	Rc	M	B		L1		L2	H1	H2	G	Mass (g)
				max	min	max	min					
VPA 10B□-6J	10	-	M12×1	42	38	20	16	26	14	12	4	21
VPA 20B□-6J	20	-	M14×1	46.5	40.5	24.5	18.5	27.5	17	14	4	35.5
VPA 30B□-6J	30	-	M14×1	50.5	42.5	27.5	19.5	27.5	17	14	4	38.5
VPA 40B□-6J	40	-	M14×1	57.5	48	34.5	25	27.5	17	14	4	46.5
VPA 50B□-6J	50	-	M14×1	59.5	48.5	36.5	25.5	27.5	17	14	4	50.5
VPA 80B□-01	80	Rc1/8	M20×1	69	59	49	39	20	24	22	5	224



VPB BELLOWS

Fixed type vacuum port side



A Details (VPB 80)



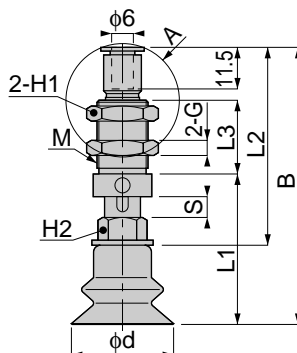
unit:mm

Model	Pad dia. φd	Rc	M	B		L		E	H	Mass (g)
				max	min	max	min			
VPB 10B□-6J	10	-	M6×1	44	40	16	12	10	12	25
VPB 20B□-6J	20	-	M6×1	47	41	19	13	10	12	33
VPB 30B□-6J	30	-	M6×1	51	43	23	15	10	12	36
VPB 40B□-6J	40	-	M6×1	58	48.5	30	20.5	10	12	45.5
VPB 50B□-6J	50	-	M6×1	60	49	32	21	10	12	51.5
VPB 80B□-01	80	Rc1/8	M8×1.25	78	68	39	29	16	22	231.5

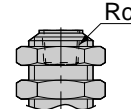


VPC BELLOWS

Spring type vacuum port top



A Details (VPC 80)



unit:mm

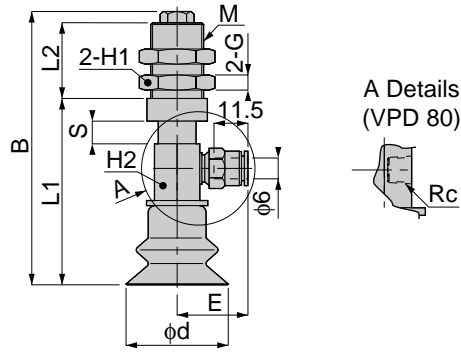
Model	Pad dia. φd	Rc	M	B		L1		L2	L3	Stroke S	H1	H2	G	Spring force (N)	Mass (g)
				max	min	max	min								
VPC 10B□-6J	10	-	M14×1	67.5	63.5	34.5	30.5	51.5	20	6	17	12	4	3.92-5.88	35
VPC 20B□-6J	20	-	M14×1	70.5	64.5	39	33	51.5	20	6	17	12	4	3.92-5.88	38.5
VPC 30B□-6J	30	-	M14×1	74.5	66.5	43	35	51.5	20	6	17	12	4	7.84-9.80	41.5
VPC 40B□-6J	40	-	M14×1	81.5	72	50	40.5	51.5	20	6	17	12	4	7.84-9.80	51
VPC 50B□-6J	50	-	M14×1	83.5	72.5	52	41	51.5	20	6	17	12	4	7.84-9.80	57
VPC 80B□-01	80	Rc1/8	M22×1	95	85	66	56	56	26	10	27	19	6	11.8-14.7	251



Vacuum Series Vacuum Pad Bellows Type

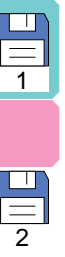
VPD BELLOWS

Spring type vacuum port side



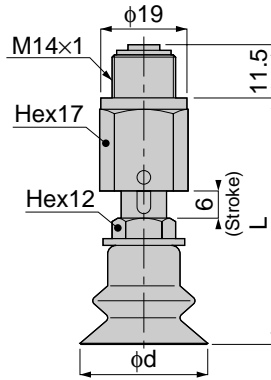
unit:mm

Model	Pad dia. φd	Rc	M	B		L1		L2	Stroke S	E	H1	H2	G	Spring force (N)	Mass (g)
				max	min	max	min								
VPD 10B□-6J	10	-	M14×1	68	64	43.5	39.5	20	6	19.5	17	12	4	3.92~5.88	47
VPD 20B□-6J	20	-	M14×1	69	63	46.5	40.5	20	6	19.5	17	12	4	3.92~5.88	49.5
VPD 30B□-6J	30	-	M14×1	73	65	50.5	42.5	20	6	19.5	17	12	4	7.84~9.80	53
VPD 40B□-6J	40	-	M14×1	80	70.5	57.5	48	20	6	19.5	17	12	4	7.84~9.80	62.5
VPD 50B□-6J	50	-	M14×1	82	71	59.5	48.5	20	6	19.5	17	12	4	7.84~9.80	69.5
VPD 80B□-01	80	Rc1/8	M22×1	114	104	85	75	36	10	-	27	22	6	11.8~14.7	389



VPF BELLOWS

Spring & Direct Mounting type

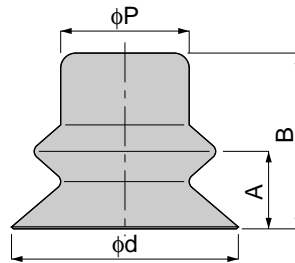


unit:mm

Model	Pad dia. φd	L		Spring force (kgf)	Mass (g)
		max	min		
VPF 10B□	10	47.5	43.5	0.9~1.3	
VPF 20B□	20	51.5	45.5	0.9~1.3	
VPF 30B□	30	55.5	47.5	0.9~1.3	
VPF 40B□	40	62.5	53	0.9~1.3	
VPF 50B□	50	64.5	53.5	0.9~1.3	

VP BELLOWS

Pad rubber only



unit:mm

Model	Pad dia. φd	A	B		φP	Mass (g)
			max	min		
VP 10B□	10	5	16	12	10	0.5
VP 20B□	20	7	19	13	15	2
VP 30B□	30	10	23	15	17	3.5
VP 40B□	40	13	30	20.5	25	10
VP 50B□	50	14	32	21	30	14
VP 80B□	80	15	32	22	62	40.5
VP 80B□A			39	29	68	132



※ Adding "A" to the end of code signifies frame attached.