

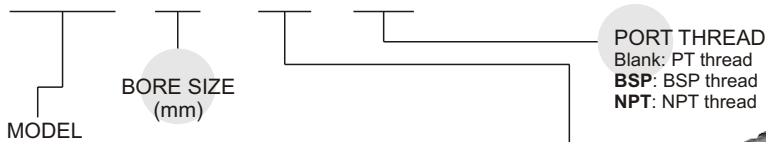
MSL * series

STOPPER CYLINDER

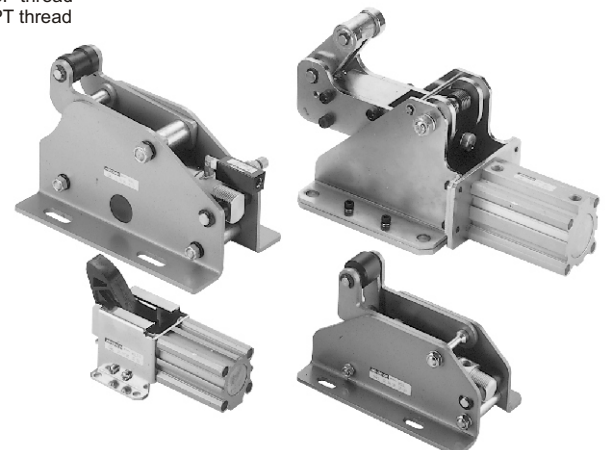


Order example:

MSLP – 32 – 40 – BSP



MODEL	Type of cylinder	Operation type
MSLP		Double acting Direct stopper
MSLL		Double acting without spring Stopper with roller
		Option: Double acting with spring Stopper with roller
MSLD		Double acting with spring Shockless stopper



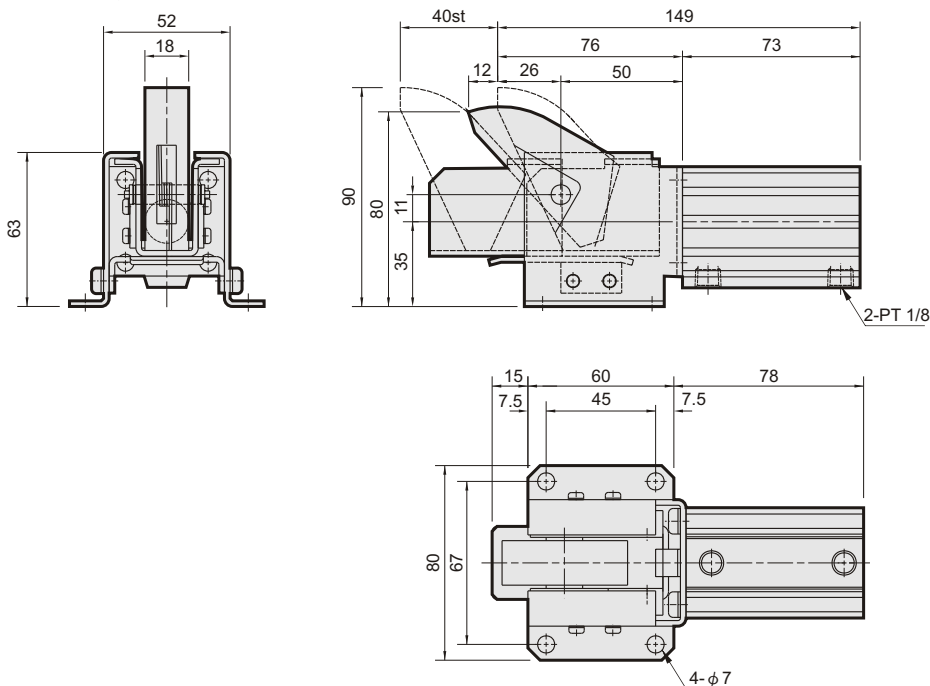
Specification:

Model	MSL*
Medium	Air
Operating pressure range	2-9.9 kgf/cm ²
Proof pressure	15 kgf/cm ²
Ambient temperature	-5~+60°C (No freezing)
Lubrication	Not required
Cushion	With rubber cushion pad

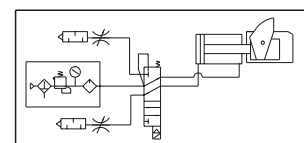
Model	Magnet	Sensor switch	Weight
MSLP-P-φ 32-40	With magnet	RCB	840 g
MSLP-CP-φ 32-40	With magnet	RCB	840 g
MSLL-φ 25-30	Without magnet	—	1850 g
MSLL-φ 40-30	With magnet	RCA	4550 g
MSLD-φ 50-50	With magnet	RCB,RCE,RCE1	8750 g

Order no.

MSLP-P φ 32-40



Piping diagram:

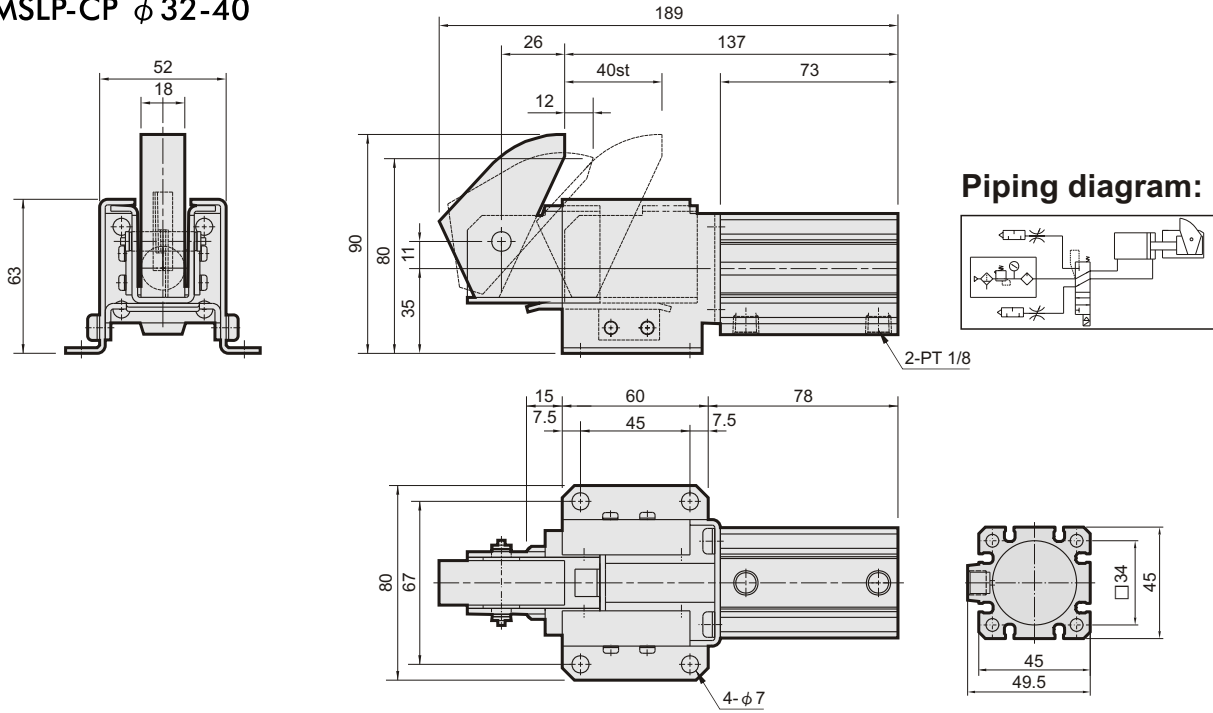


MSL *

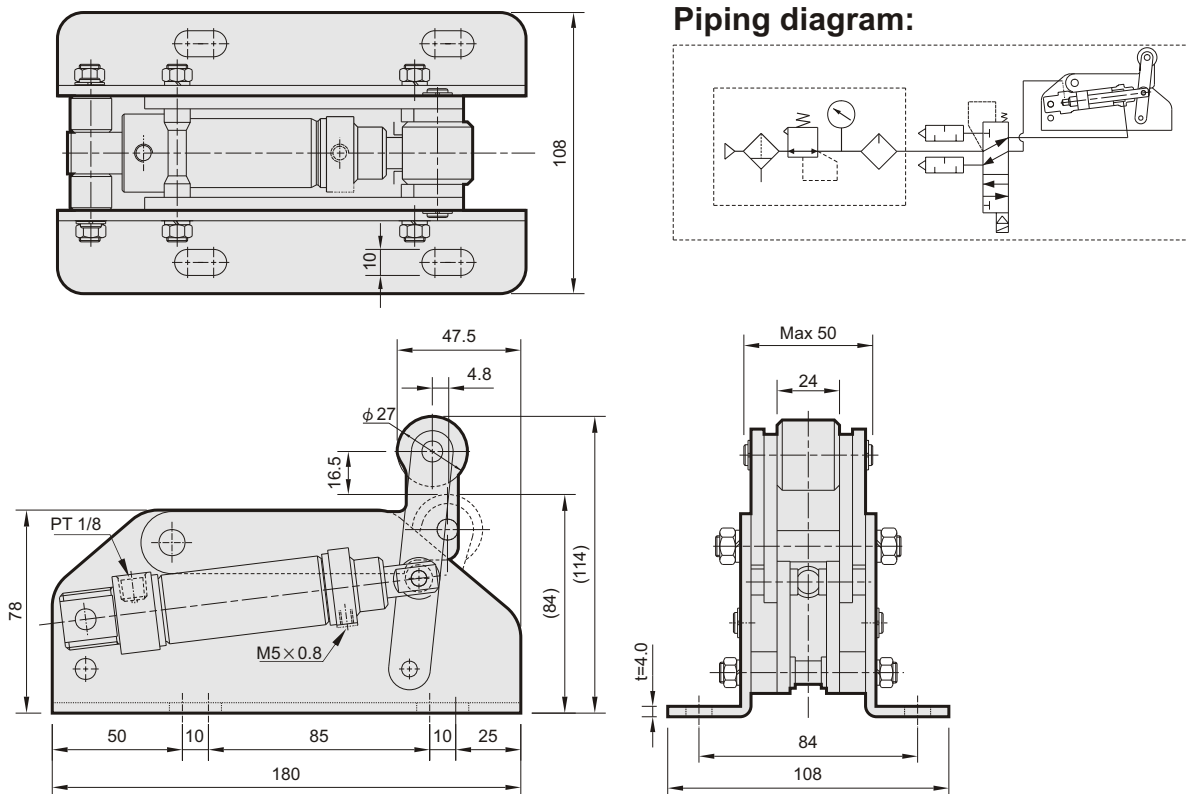
STOPPER CYLINDER



Order no.
MSLP-CP ϕ 32-40



Order no.
MSLL ϕ 25-30

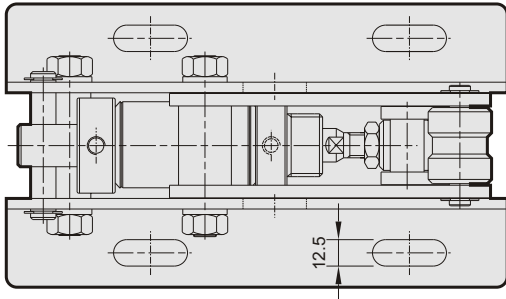


MSL *

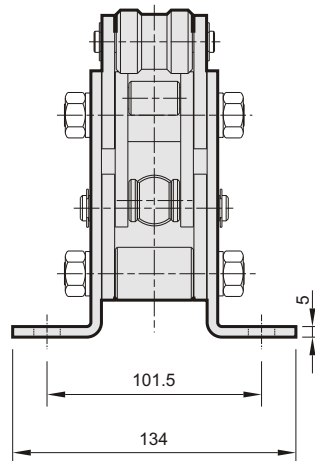
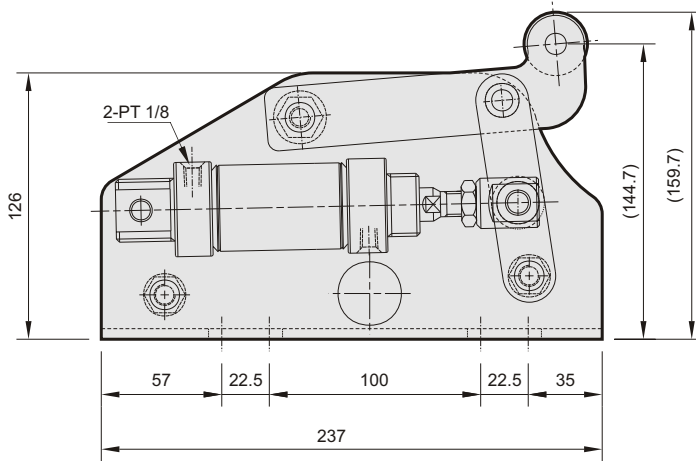
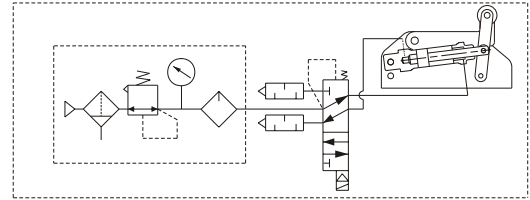
STOPPER CYLINDER



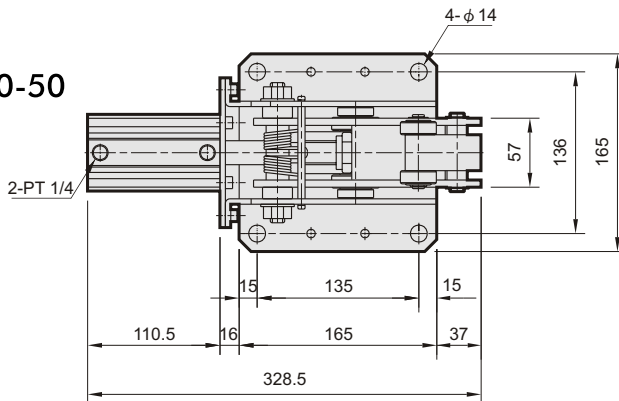
Order no.
MSLL ϕ 40-30



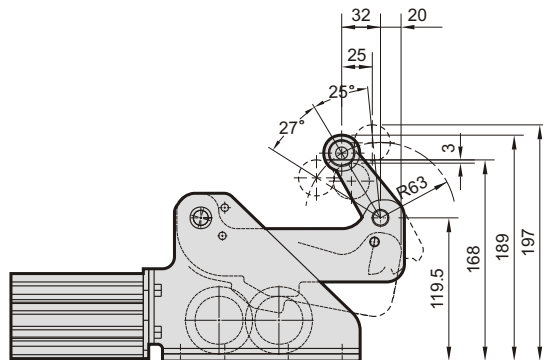
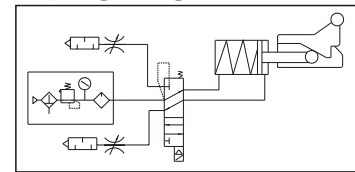
Piping diagram:



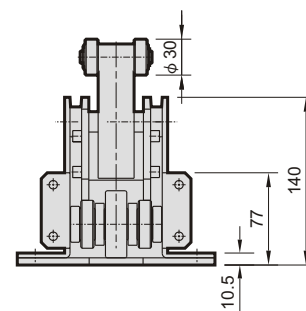
Order no.
MSLD ϕ 50-50



Piping diagram:

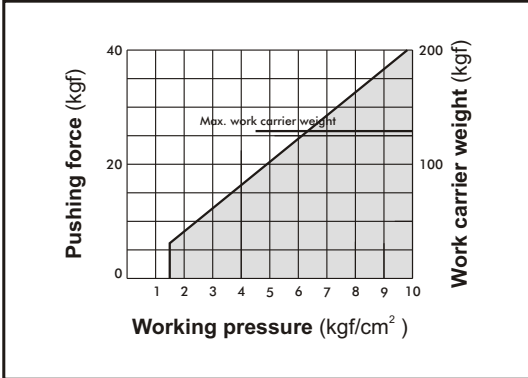


※Roller is made of rolled steel.



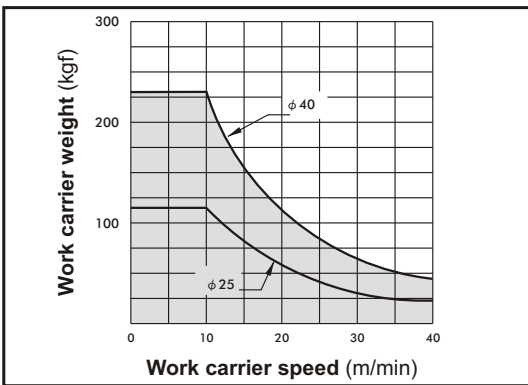
MSLP-* ϕ 32-40

Capacity



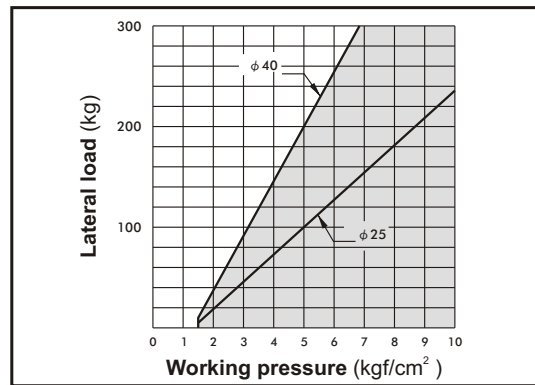
MSLL

Capacity



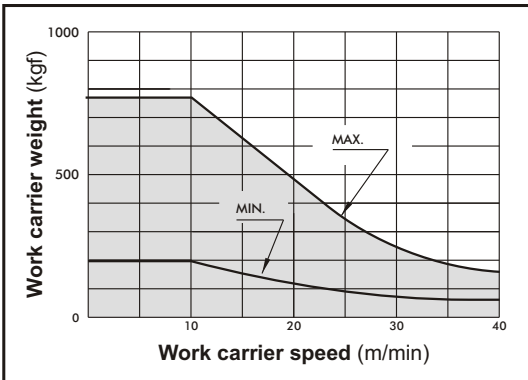
MSLL

Normal lateral load



MSLD ϕ 50

Capacity



MSLD ϕ 50

Normal lateral load

