

MVSG-180 series

SOLENOID VALVE



Specification:

Model	MVSG-180-4E1,E2	MVSG-180-4E2C.P.R	
Bore No.	6A		
Port size	PT 1/8		
No. of port	5		
No. of position	2	3	
Medium	Air		
Operating pressure range	1.5~7 kgf/cm ²	3~7 kgf/cm ²	
Proof pressure	10 kgf/cm ²		
Effective orifice	10 mm ²	10 mm ²	
Response time	15 ms	30 ms	
Ambient temperature	+5~+50°C		
Voltage	AC110V (50/60)Hz, DC6/12/24V		
Power consumption	AC=1.6VA, DC=1.2W		
Available voltage range	±10%		
Insulation class	B class		
Weight	74 g	94 g	132 g

Order example of valve:

MVSG – 180 – 4E2C – AC110 – BSP

MODEL

BODY WIDTH

VOLTAGE

AC110V(50/60)Hz
DC6V
DC12V
DC24V

PORT THREAD

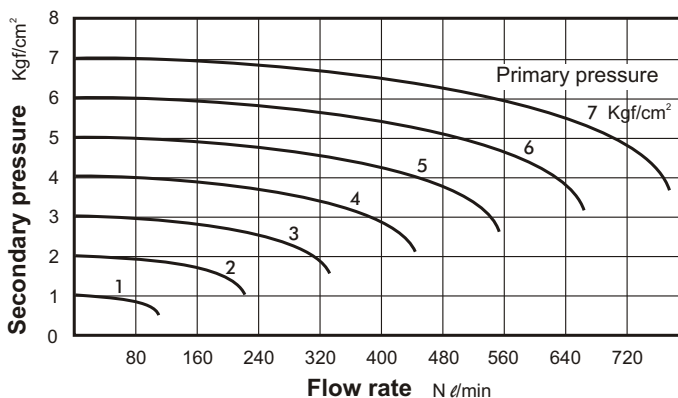
Blank: PT thread
BSP: BSP thread
NPT: NPT thread

C: Closed center
P: Pressure center
R: Exhaust center
(Only for 4E2 type)

4: 4way

E1: Single Solenoid
E2: Double Solenoid

Flow features:



Order example of manifold:

MVSG – 180 – 5B3 – BSP

MODEL

MANIFOLD

MANIFOLD NUMBER
1, 2, 3

PORT THREAD

Blank: PT thread
BSP: BSP thread
NPT: NPT thread

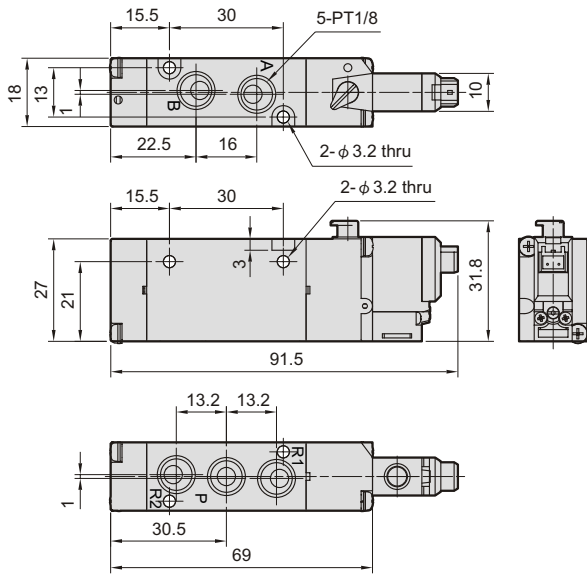
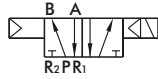
MVSG-180

SOLENOID VALVE

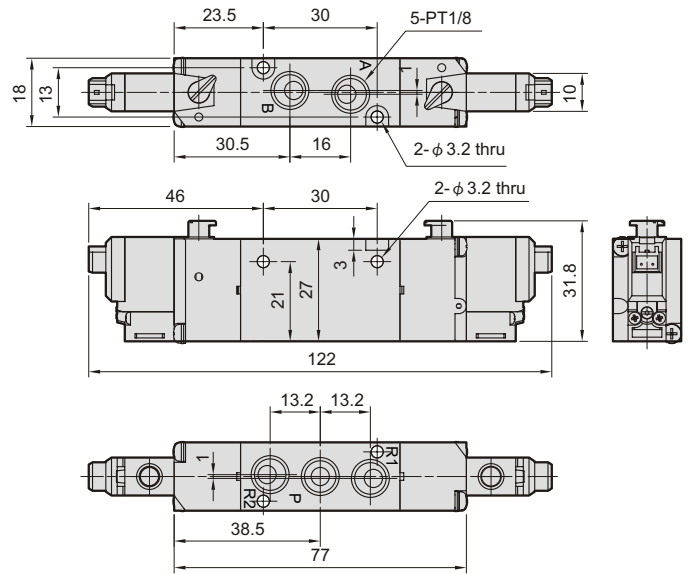
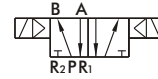


Dimensions:

MVSG-180-4E1



MVSG-180-4E2

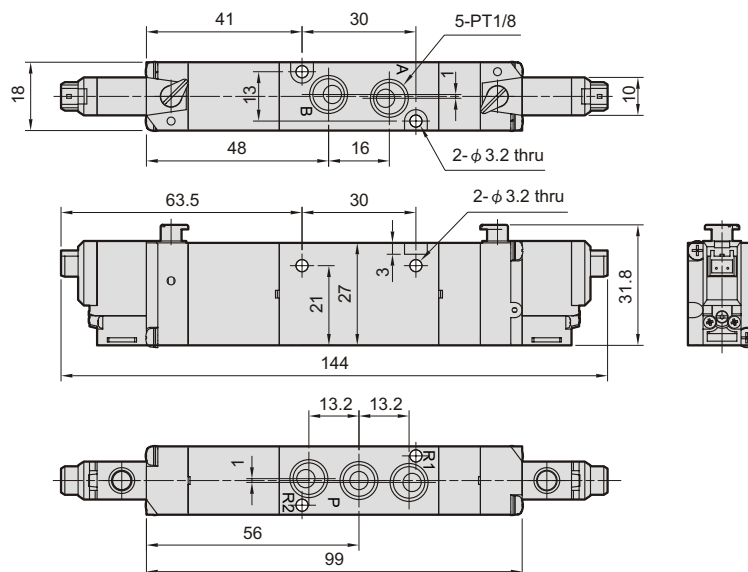
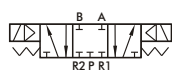


MVSG-180-4E2C.P.R

MVSG-180-4E2C

MVSG-180-4E2P

MVSG-180-4E2R



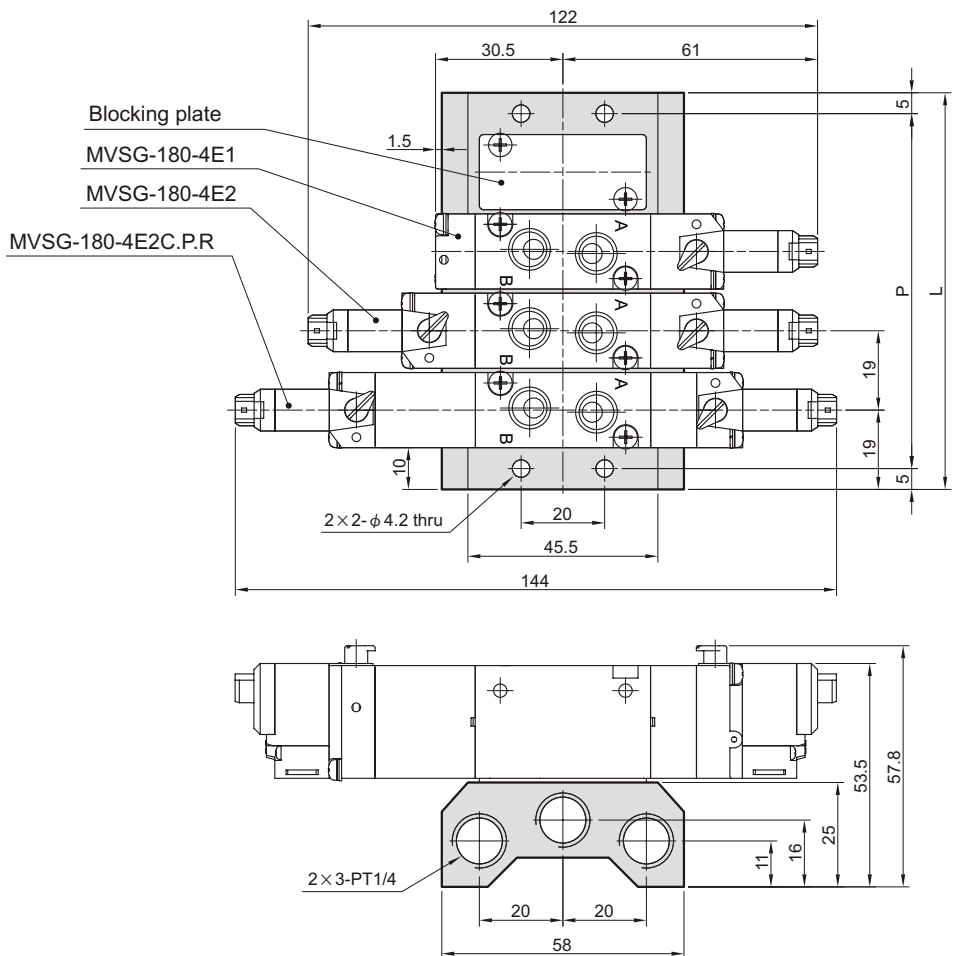
MVSG-180

SOLENOID VALVE



Manifold of solenoid valve:

MVSG-180-5B*



No. of stations (N)	P	L
2	47	57
3	66	76
4	85	95
5	104	114
6	123	133
7	142	152
8	161	171
9	180	190
10	199	209