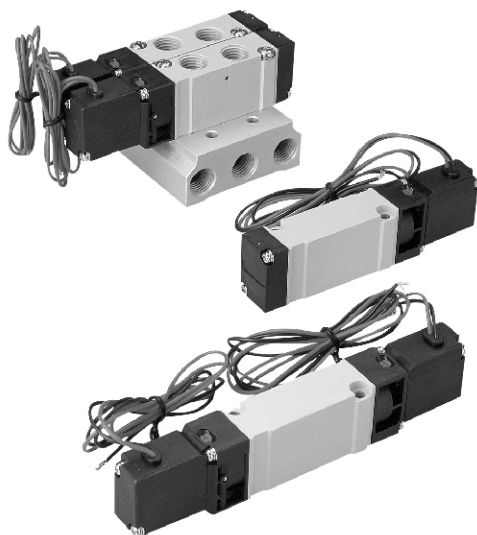


# MVSB-188 series

## SOLENOID VALVE



### Specification:

Model	MVSB-188-4E1	MVSB-188-4E2
Bore No.	8A	
Port size	PT 1/4	
No. of port	5	
No. of position	2	
Medium	Air	
Operating pressure range	1.5~8 kgf/cm <sup>2</sup>	
Proof pressure	10 kgf/cm <sup>2</sup>	
Effective orifice	15 mm <sup>2</sup>	
Response time	30 ms	
Ambient temperature	- 5~ + 50°C (No freezing)	
Voltage	AC110V, AC220V (50/60)Hz, DC24V	
Power consumption	AC=2.1/1.8VA, DC=1.6W	
Available voltage range	± 10%	
Insulation class	B class	
Weight	106 g	145 g

### Order example of valve:

**MVSB – 188M – 4E2 – AC110 – L – BSP**

MODEL

BODY WIDTH

VOLTAGE

AC220V(50/60)Hz  
AC110V(50/60)Hz  
DC24V

Blank: body ported type  
M: manifold type

4: 4way

E1: Single Solenoid  
E2: Double Solenoid

Blank: Lead wire  
D: DIN connector  
L: LED indicator

PORT THREAD

Blank: PT thread  
BSP: BSP thread  
NPT: NPT thread  
(Only for body ported type)

### Order example of manifold:

**MVSB – 188M – 5M3 – BSP**

MODEL

Blank: body ported type  
M: manifold type

MANIFOLD  
5B: for body ported type  
5M: for manifold type

MANIFOLD NUMBER  
1, 2, 3

PORT THREAD

Blank: PT thread  
BSP: BSP thread  
NPT: NPT thread

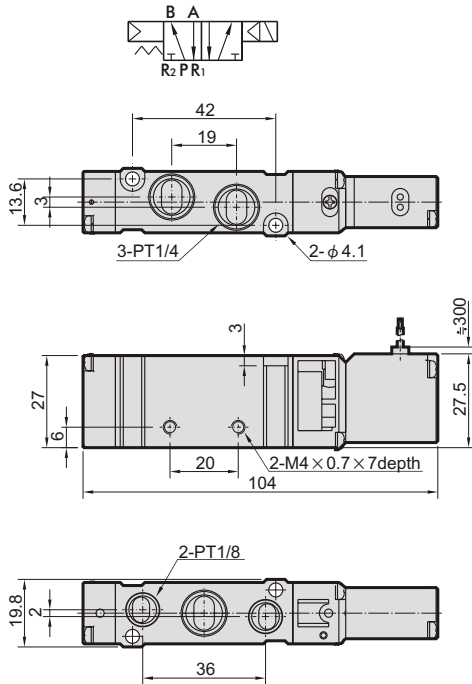
# MVSB-188

SOLENOID VALVE

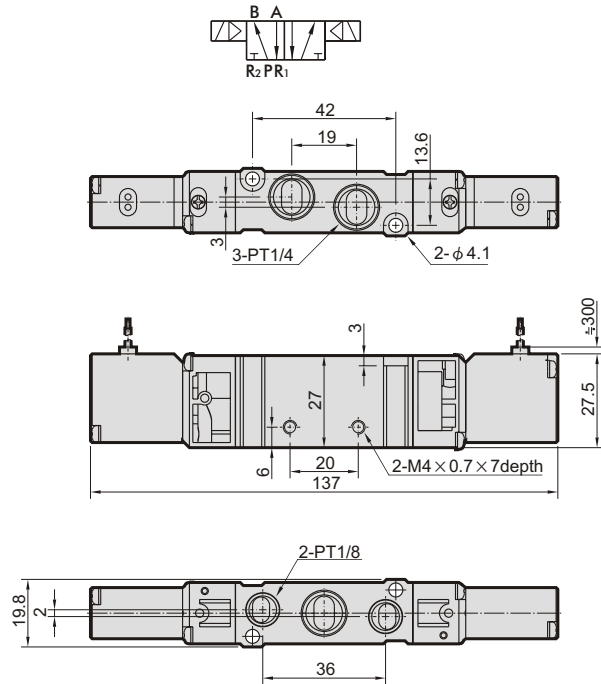


## Dimensions:

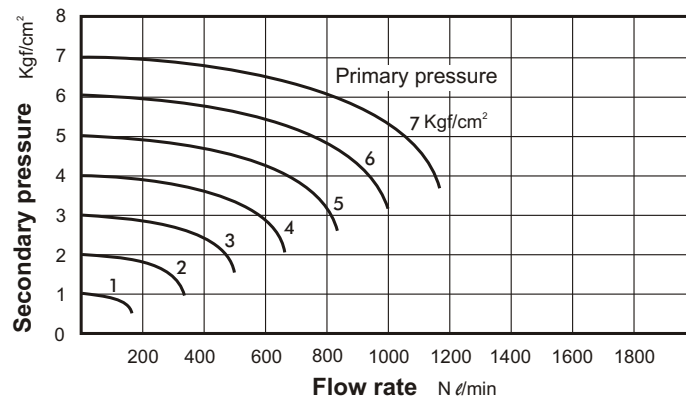
**MVSB-188-4E1**



**MVSB-188-4E2**



## Flow features:



# MVSB-188

## SOLENOID VALVE

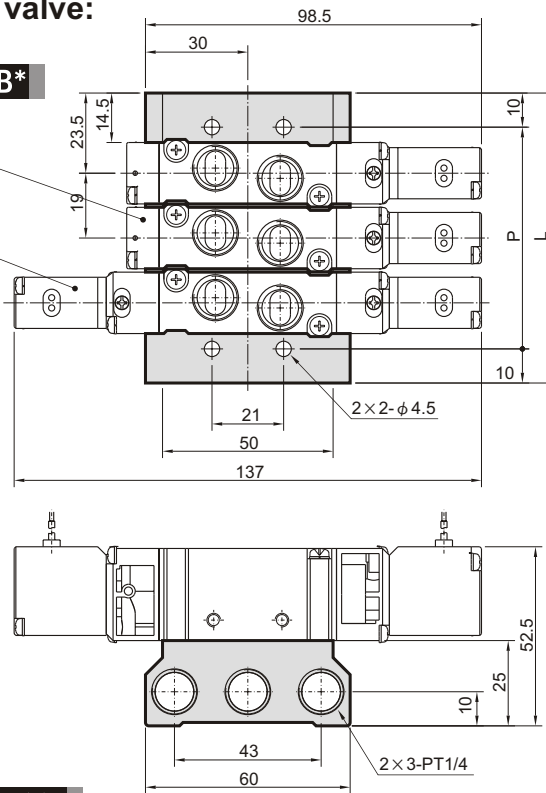


### Manifold of solenoid valve:

#### MVSB-188-5B\*

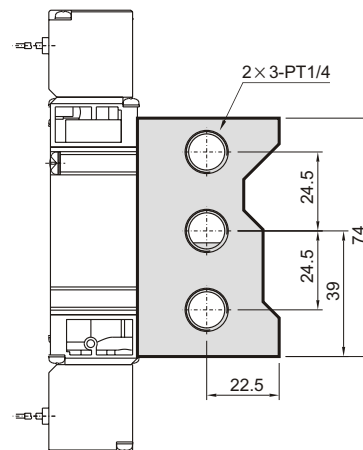
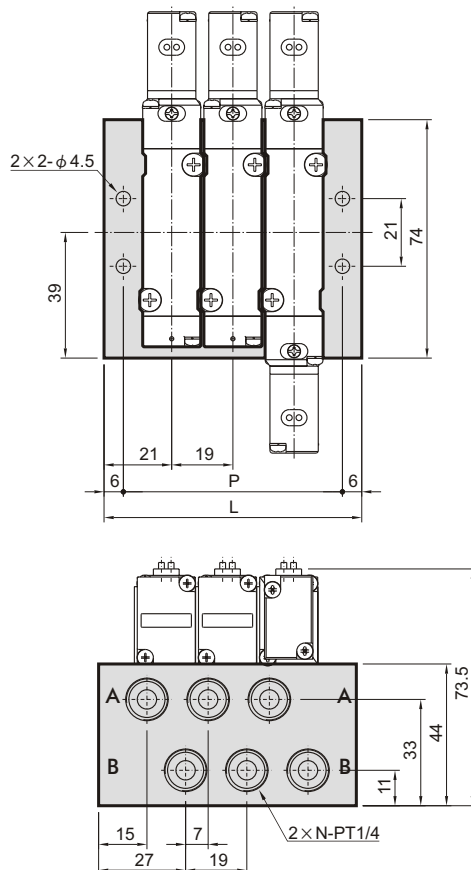
MVSB-188-4E1

MVSB-188-4E2



No. of stations	P	L
2	46	66
3	65	85
4	84	104
5	103	123
6	122	142
7	141	161
8	160	180
9	179	199
10	198	218

#### MVSB-188M-5M\*



No. of stations (N)	P	L
2	49	61
3	68	80
4	87	99
5	106	118
6	125	137
7	144	156
8	163	175
9	182	194
10	201	213