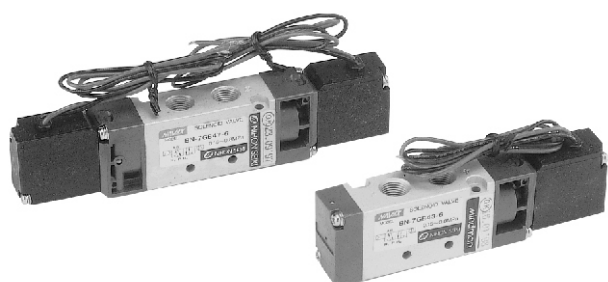


MVSB-180 series

SOLENOID VALVE

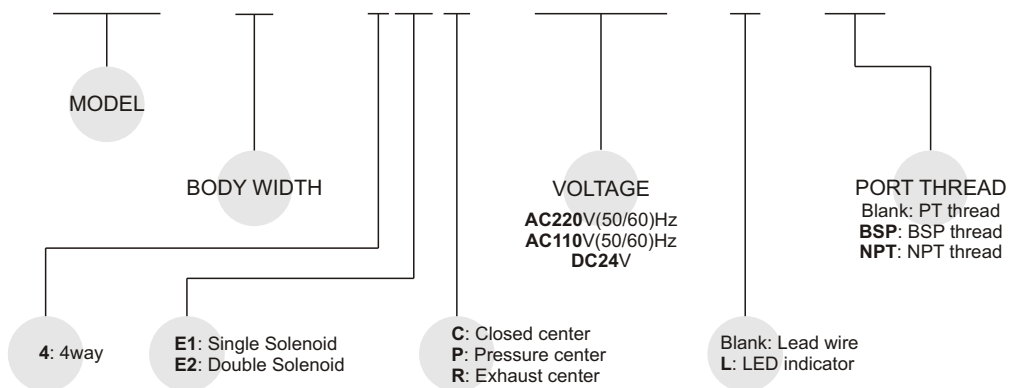


Specification:

Model	MVSB-180-4E1	MVSB-180-4E2	MVSB-180-4E2C.P.R
Bore No.	6A		
Port size	PT 1/8		
No. of port	5		
No. of position	2	2	3
Medium	Air		
Operating pressure range	1.5~8 kgf/cm ²		2~7 kgf/cm ²
Proof pressure	10 kgf/cm ²		
Effective orifice	12 mm ²	12 mm ²	9 mm ²
Response time	30 ms		
Ambient temperature	-5~ +50°C (No freezing)		
Voltage	AC110V, 220V (50/60)Hz, DC24V		
Power consumption	AC=2.1/1.8VA, DC=1.6W		
Available voltage range	± 10%		
Insulation class	B class		
Weight	100 g	143 g	155 g

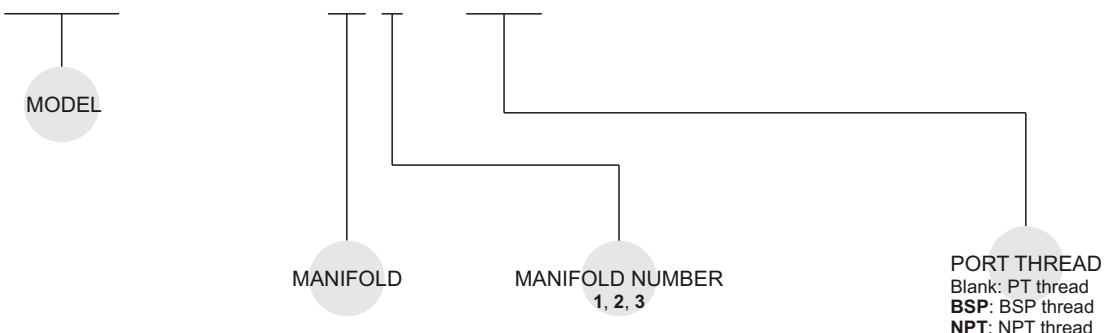
Order example of valve:

MVSB – 180 – 4E2C – AC110 – L – BSP



Order example of manifold:

MVSB – 180 – 5B3 – BSP



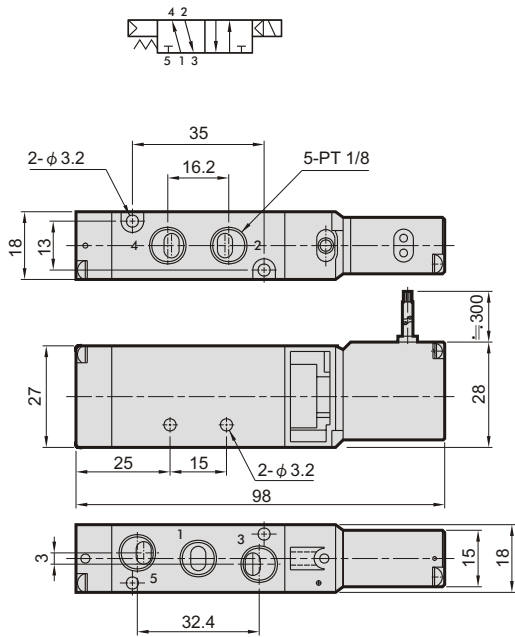
MVSB-180

SOLENOID VALVE

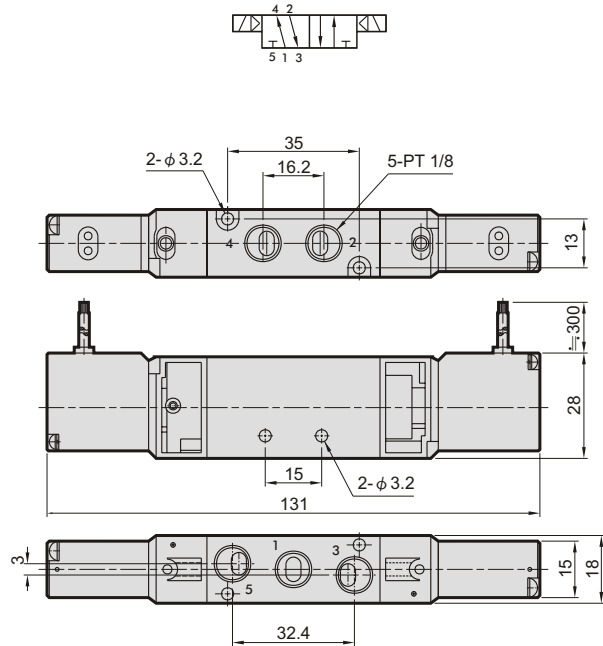


Dimensions:

MVSB-180-4E1

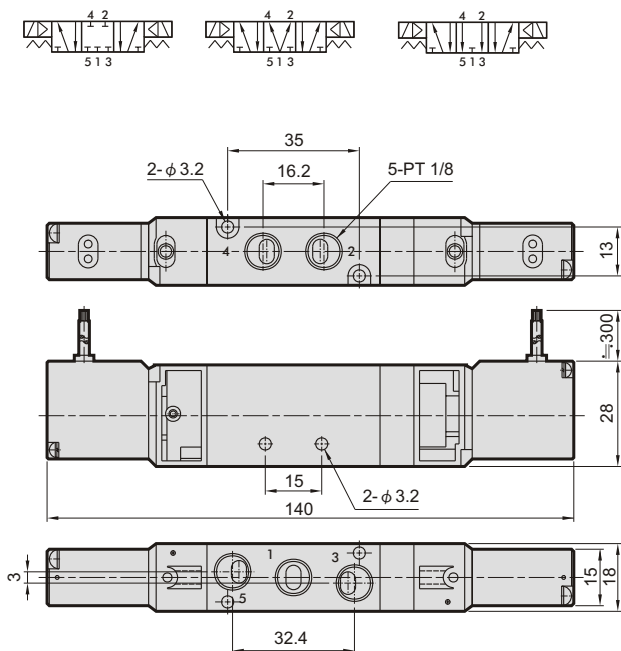


MVSB-180-4E2

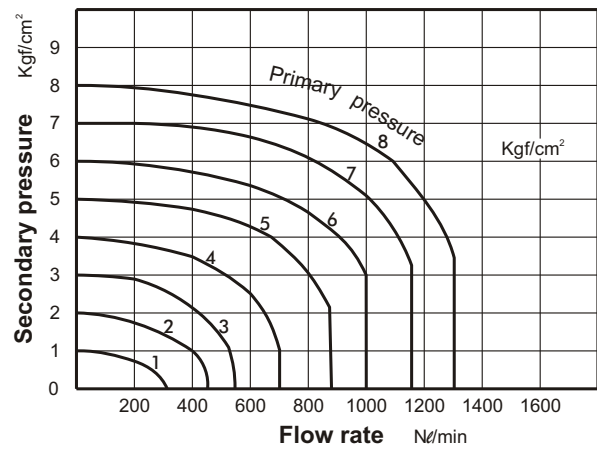


MVSB-180-4E2C.PR

MVSB-180-4E2C MVSB-180-4E2P MVSB-180-4E2R



Flow features:



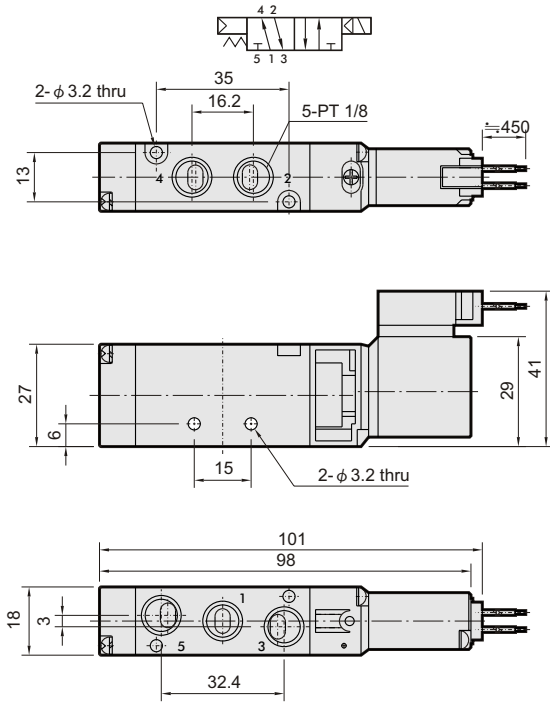
MVSB-180

SOLENOID VALVE

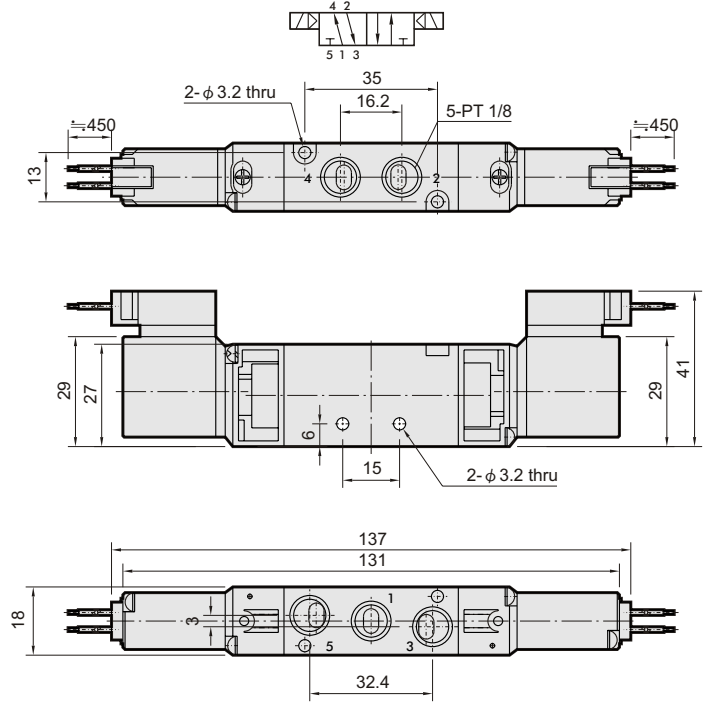


Dimensions:

MVSB-180-4E1-L



MVSB-180-4E2-L



MVSB-180-4E2C.PR-L

MVSB-180-4E2C-L MVSB-180-4E2P-L MVSB-180-4E2R-L

