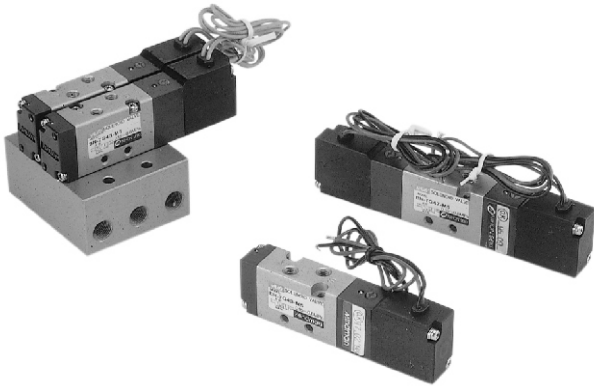


# MVSA-150 series

SOLENOID VALVE

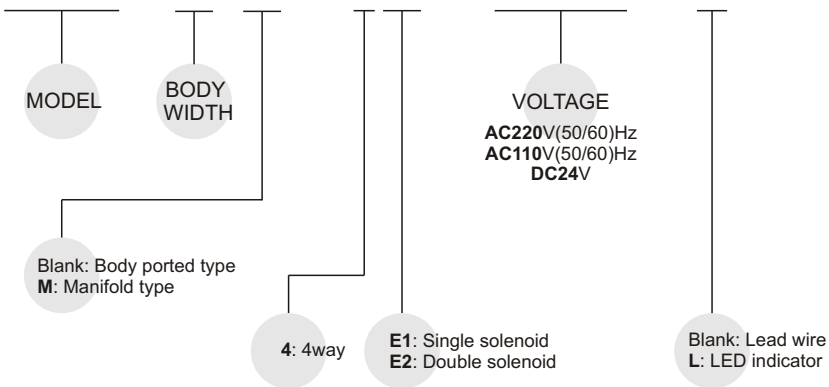


## Specification:

Model	MVSA-150-4E1	MVSA-150-4E2
Bore No.	M5	
Port size	M5×P0.8	
No. of port	5	
No. of position	2	
Medium	Air	
Operating pressure range	1.5~8 kgf/cm <sup>2</sup>	
Proof pressure	10 kgf/cm <sup>2</sup>	
Effective orifice	3.8 mm <sup>2</sup>	
Response time	30 ms	
Ambient temperature	-5~+50℃ (No freezing)	
Voltage	AC110V, 220V (50/60)Hz, DC24V	
Power consumption	AC=2.1/1.8VA, DC=1.6W	
Available voltage range	±10%	
Insulation class	B class	
Weight	76 g	115 g

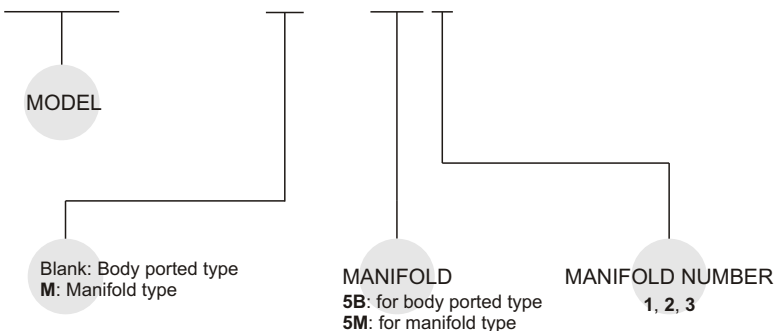
## Order example of valve:

**MVSA – 150M – 4E2 – AC110 – L**



## Order example of manifold:

**MVSA – 150M – 5M3**



# MVSA-150

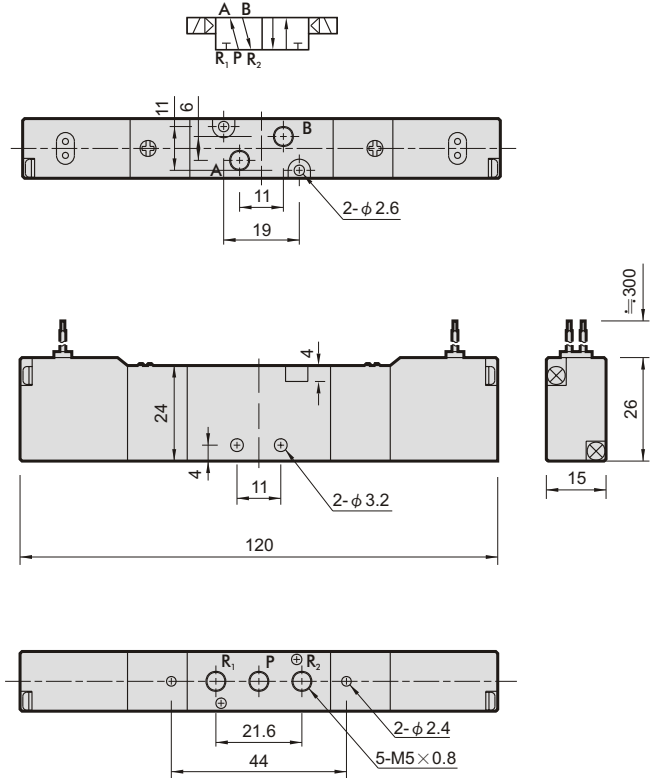
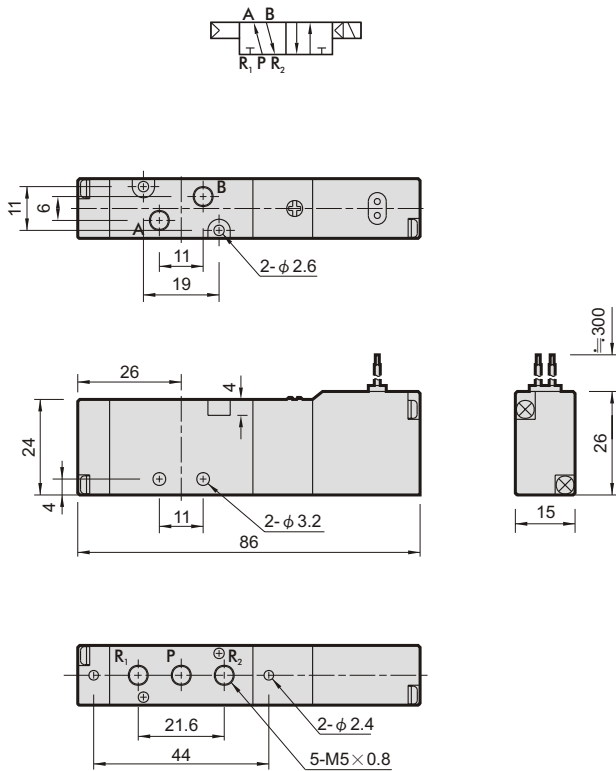
SOLENOID VALVE



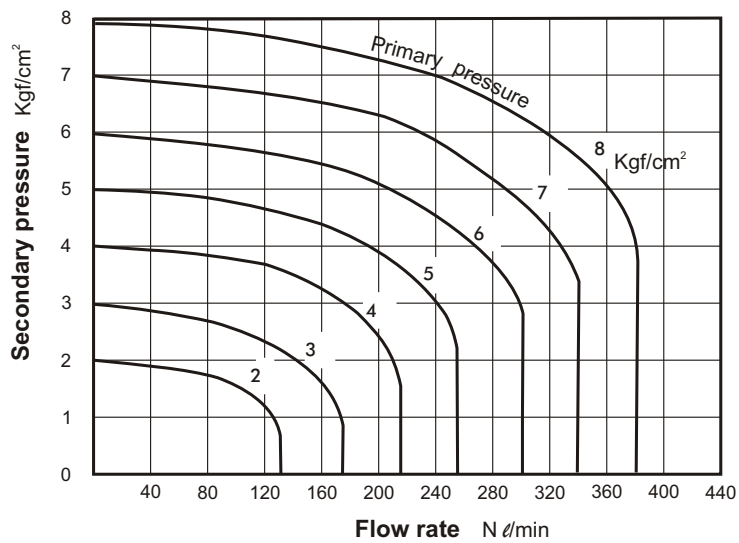
## Dimensions:

**MVSA-150-4E1**

**MVSA-150-4E2**



## Flow features:



# MVSA-150

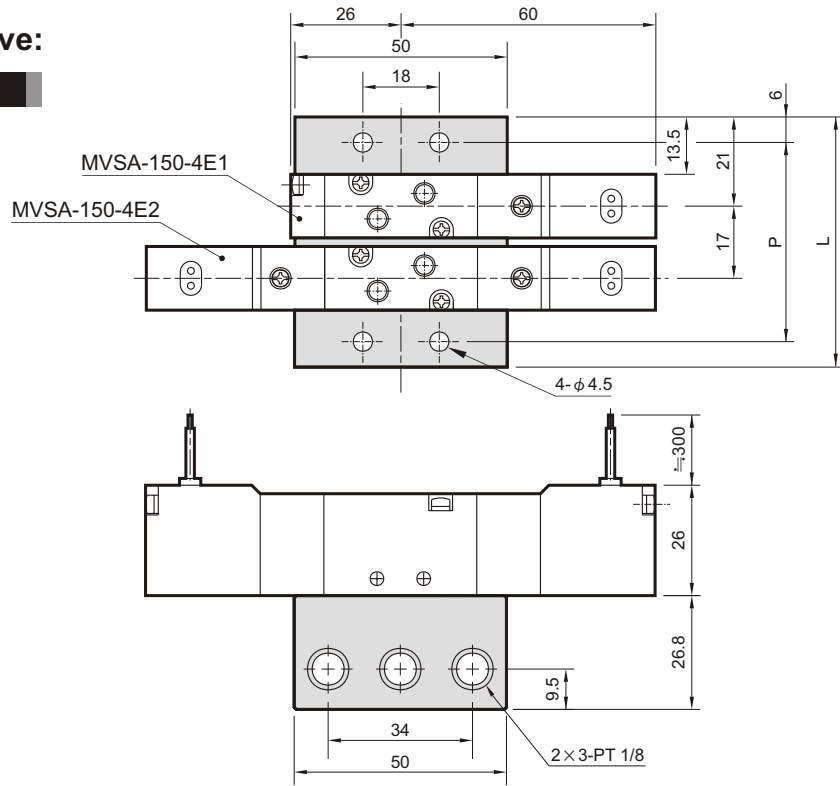
## SOLENOID VALVE



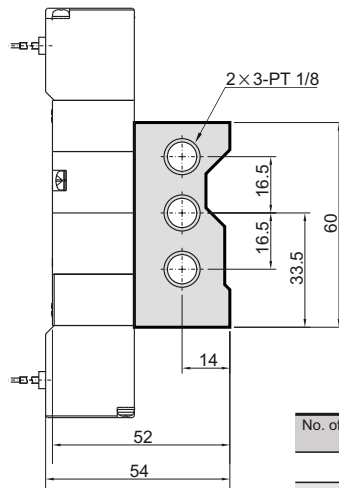
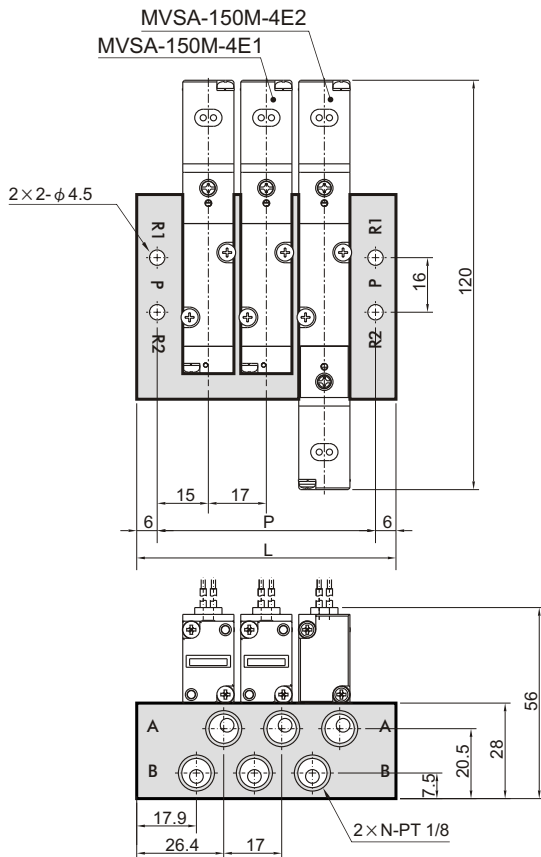
### Manifold of solenoid valve:

#### MVSA-150-5B\*

No. of stations	P	L
2	47	59
3	64	76
4	81	93
5	98	110
6	115	127
7	132	144
8	149	161
9	166	178
10	183	195



#### MVSA-150M-5M\*



No. of stations (N)	P	L
2	47	59
3	64	76
4	81	93
5	98	110
6	115	127
7	132	144
8	149	161
9	166	178
10	183	195