

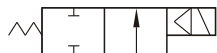
MUW series Normally closed



SOLENOID VALVE

Model: MUW-10, 15, 20, 25, 35, 40, 50

Available fluid: Water, air, oil.



Specification :

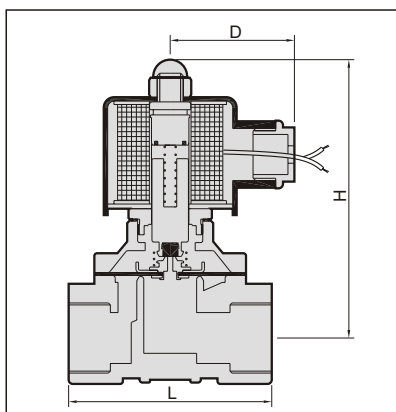
- 2-WAY normally closed solenoid valve.
- Type MUW is normally closed, can direct operating without pressure.
- Available Fluid. Water, Air, Oil.
- Standard voltage: AC 110V/220V (50/60 Hz).
- Voltage is with $\pm 10\%$ differential.
- Other voltage of AC/DC available when required.
- Small size, high flow, little electric power required.
- Installation: Mountable in any position without affecting operation.

Not for fluid of:

- Liquid when heat, solid when cool.
- Corrosive fluid.
- Viscosity over 20 cst.
- Temperature over 80°C.

Caution:

- Pipes must be washed neat and clean before fitted.
- A Y-STRAINER has to be installed in the front of solenoid valve, that is best for long life.



Material:

Parts name	Material
Coil	Special copper wire H grade
Tube	Stainless steel
Spring	Stainless steel
Fixed steel	Stainless steel
Plug	NBR, viton, silicon
Diaphragm	NBR, viton, silicon
Disc	NBR
Body	Forge brass

Model (order code)	Connection pipe size	Cv	Orifice (mm)	Fluid temp	Max. operating pressure diff. kgf/cm ²						L (mm)	H (mm)	D (mm)	Weight (kg)
					Steam	Water	Air	Light oil	Gas	Vacuum				
MUW-10	3/8"	2.4	10	-5°C ! 80°C	-	0~5	0~7	0~5	-	-	70	100	50	0.9
MUW-15	1/2"	4.5	15		-	0~5	0~7	0~5	-	-	70	100	50	0.9
MUW-20	3/4"	8.6	20		-	0~5	0~7	0~5	-	-	73	102	50	1.0
MUW-25	1"	12	25		-	0~5	0~7	0~5	-	-	93	106	50	1.81
MUW-35	1 1/4"	24	35		-	0~5	0~7	0~5	-	-	125	158	58	3.2
MUW-40	1 1/2"	28	40		-	0~5	0~7	0~5	-	-	125	158	58	3.5
MUW-50	2"	48	50	-	0~5	0~7	0~5	-	-	167	188	58	5.4	

※ The pressure ratings indicated above are based on AC110V/220V. The maximum pressure may vary in case on DC/AC24V.
Special order: AC380V, 415V, 440V.