

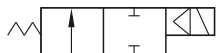
# MUW-NO series Normally open



## SOLENOID VALVE

Model: MUW-10NO, 15NO, 20NO, 25NO

Available fluid: Water, air, oil.



### Specification :

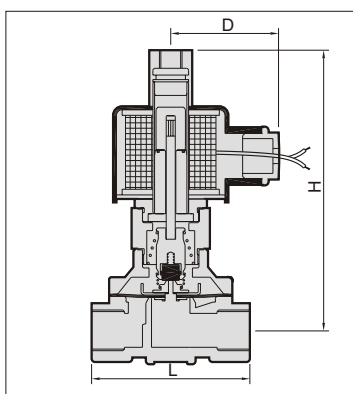
- 2-WAY normally closed solenoid valve.
- Type MUW-NO is normally open, can direct operating without pressure.
- Available Fluid. Water, Air, Oil & Vacuum.
- Standard voltage: AC 110V/220V (50/60 Hz).
- Voltage is with  $\pm 10\%$  differential.
- Other voltage of AC/DC available when required.
- Small size, high flow, little electric power required.
- Installation: Mountable in any position without affecting operation.
- Port thread BSP, NPT, are also available.

### Not for fluid of:

- Liquid when heat, solid when cool.
- Corrosive fluid.
- Viscosity over 20 cst.
- Temperature over 80°C.

### Caution:

- Pipes must be washed neat and clean before fitted.
- A Y-STRAINER has to be installed in the front of solenoid valve, that is best for long life.



### Material:

Parts name	Material
Coil	Special copper wire H grade
Tube	Special st. steel
Spring	Stainless steel
Fixed steel	Special st. steel
Plug	NBR, viton, silicon
Diaphragm	NBR, viton, silicon
Disc	NBR
Body	Forge brass

Model (order code)	Connection pipe size	Cv	Orifice (mm)	Fluid temp	Max. operating pressure diff. kgf/cm <sup>2</sup>						L (mm)	H (mm)	D (mm)	Weight (kg)
					Steam	Water	Air	Light oil	Gas	Vacuum				
MUW-10-NO	PT 3/8"	2.4	10	-5°C ↑ 80°C	-	0~5	0~7	-	-	0.1~10 <sup>-3</sup> Torr	70	100	50	1.1
MUW-15-NO	PT 1/2"	4.5	15		-	0~5	0~7	-	-	0.1~10 <sup>-3</sup> Torr	70	100	50	1.1
MUW-20-NO	PT 3/4"	8.6	20		-	0~5	0~7	-	-	0.1~10 <sup>-3</sup> Torr	73	102	50	1.16
MUW-25-NO	PT 1"	12	25		-	0~5	0~7	-	-	0.1~10 <sup>-3</sup> Torr	93	106	50	1.81
MUW-35-NO	PT 1 1/4"	24	35		-	0~5	0~7	-	-	0.1~10 <sup>-3</sup> Torr	125	158	58	3.2
MUW-40-NO	PT 1 1/2"	28	40		-	0~5	0~7	-	-	0.1~10 <sup>-3</sup> Torr	125	158	58	3.5
MUW-50-NO	PT 2"	48	50	-	0~5	0~7	-	-	0.1~10 <sup>-3</sup> Torr	167	158	58	5.4	

※ The pressure ratings indicated above are based on AC110V/220V. The maximum pressure may vary in case on DC/AC24V.  
Special order: AC380V, 415V, 440V.