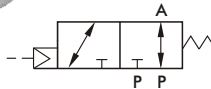


MUT series

3/2 WAY UNIVERSAL SOLENOID VALVE



Order example:

MUT - 10 - 2 - N - 3 - □ - AC

MODEL

CODE

03 : 1/8
06 : 1/4
08 : 1/4
10 : 3/8

Fig

1, 2, 3, 4, 5

SEAL MAT'L

N : NBR
V : Viton

COIL
3, 2E*, 4, 3E*

*E:Explosion-Proof

VOLTAGE

PLUG

□ : DIN
D : LED
G : 1/2"NPTF

Specification :

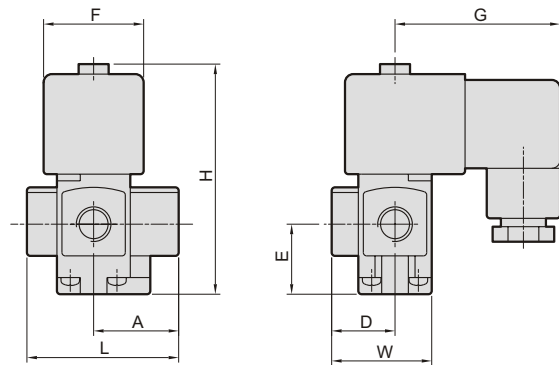
- IP65 waterproof coil.
- Continuous cycle, 100% ED.
- Ex coil is EExm II T4 or EEx ia II C T6 PTB approval.

Power consumption:

| Coil power | 3 | 2E | 4 | 3E |
|------------|-----|-----|------|------|
| AC(VA) | 8.0 | 4.8 | 15.4 | 9.2 |
| DC(W) | 6.8 | 5.2 | 15.0 | 10.0 |

Dimensions:

| Model | MUT | | | |
|---------------------|------|----|------|----|
| Code Dimension (mm) | 03 | 06 | 08 | 10 |
| A | 25.5 | | 28.5 | |
| D | 19.0 | | 22.5 | |
| E | 21.0 | | 23.0 | |
| F | 30.0 | | 30.0 | |
| G | 50.0 | | 53.0 | |
| H | 69.0 | | 87.0 | |
| L | 45.5 | | 51.0 | |
| W | 30.5 | | 39.0 | |
| N.W.(Kg) | 0.34 | | 0.59 | |



Specification:

Model MUT : Forged brass body, 3/2 way N.C., N.O., for water, air, gas, light oil, vacuum.

| Code (PIPE) G | Fig NO. | Mat'l | Coil | Orifice mm | Mat'l | | Max. O.P.D. bar (Min. 0 bar) | Cv | VAC. torr |
|--------------------|---------|-------|------|------------|----------|---------|------------------------------|----|-----------|
| | | | | | Temp. °C | | | | |
| | | | | | N | V | | | |
| 03(1/8) 06(1/4) | 1 | N | 3 | 0.8 | -5~80 | -10~145 | Coil 3/2E | 10 | 0.02 |
| | 2 | | | 1.0 | | | | | |
| | 3 | 1.2 | 5 | 0.05 | | | | | |
| | 4 | V | | | | | | 2E | 1.5 |
| | 5 | 1.8 | 1 | 0.12 | | | | | |
| 08(1/4) 10(3/8) | 1 | N | 4 | 1.3 | -5~80 | -10~145 | Coil 4/3E | 10 | 0.07 |
| | 2 | | | 1.6 | | | | | |
| | 3 | 2.0 | 5 | 0.15 | | | | | |
| | 4 | V | | | | | | 3E | 2.4 |
| | 5 | 3.0 | 3 | 0.31 | | | | | |

