

MUST series

3/2 WAY UNIVERSAL SOLENOID VALVE



Order example:

MUST-06-2-N-C-5-D-V

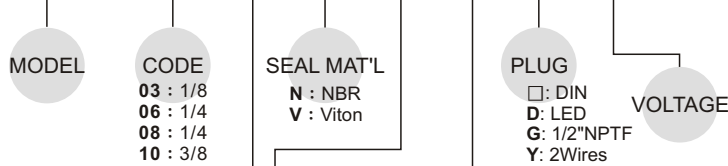


FIG. 1, 2, 3, 4, 5, 6, 7

EXHAUST ACCESSORY

| U | Without | M Size |
|---|--------------|--------|
| F | PS female | 19.0 |
| C | With cap* | 9.5 |
| P | 1/8" PS Male | 12.0 |

COIL
 2, 3, 2E*,
 4, 5, 3E*
 *E:Explosion- Proof

* C means with dust-proof and silencer cap.

Specification :

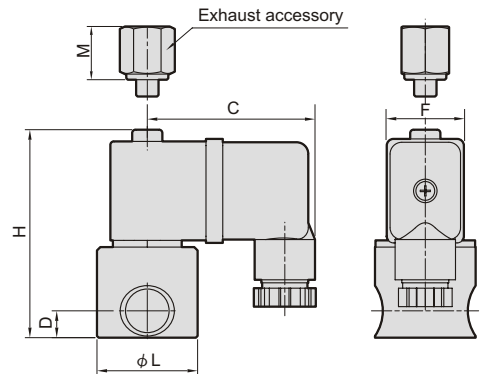
- IP65 waterproof coil.
- Continuous cycle, 100% ED.
- Ex coil is EExm II T4 or EEx ia II C T6 PTB approval.

Power consumption:

| Coil power | 2 | 3 | 2E | 4 | 5 | 3E |
|------------|-----|-----|-----|------|------|------|
| AC(VA) | 6.9 | 8.0 | 4.8 | 15.4 | 23.0 | 9.2 |
| DC(W) | 6.2 | 6.8 | 5.2 | 15.0 | 18.5 | 10.0 |

Dimensions:

| Model | MUST | | | |
|---------------------|------|------|------|------|
| Code Dimension (mm) | 03 | 06 | 08 | 10 |
| A | 18.0 | 23.0 | 31.0 | 31.0 |
| B | M4 | M4 | M5 | M5 |
| C | 50.0 | 50.0 | 53.0 | 53.0 |
| D | 7.0 | 8.0 | 11.5 | 11.5 |
| F | 22.0 | 22.0 | 29.0 | 29.0 |
| H | 56.5 | 62.0 | 85.0 | 85.0 |
| L | 25.0 | 30.0 | 40.0 | 40.0 |
| N.W.(Kg) | 0.23 | 0.28 | 0.52 | 0.60 |

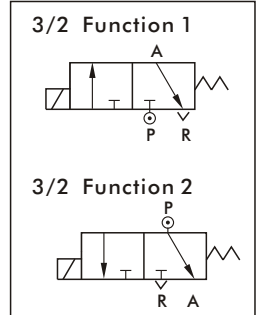
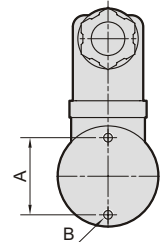


Specification:

Model MUST : 303 S.S. Bar body, 3/2 way N.C., N.O., for water, air, gas, light oil, vacuum (10⁻¹ torr Max.).

| Code (PIPE) G | Fig NO. | Mat'l | Coil | Orifice(mm) | | Temp. °C | | | | Max. O.P.D. bar (Min. 0 bar) | | | | | | Cv | |
|--------------------|---------|--------|--------------|-------------|-----|----------|-----|-----------|-----|------------------------------|----|--------|----|---------|----|------|------|
| | | | | Body | Top | Coil 2 | | Coil 3/2E | | Coil 2 | | Coil 3 | | Coil 2E | | | |
| | | | | | | N | V | N | V | 1 | 2 | 1 | 2 | 1 | 2 | | |
| 03(1/8) 06(1/4) | 1 | N V | 2 3 2E | 0.8 | 1.0 | -5 | -10 | -5 | -10 | 10 | 10 | 14 | 13 | 10 | 10 | 0.02 | |
| | 2 | | | 7 | | | | | | 10 | | 7 | | 10 | | 0.03 | |
| | 3 | | | 6 | | | | | | 7 | | 6 | | 6 | | 0.05 | |
| | 4 | | | 4 | | | | | | 7 | | 4 | | 4 | | 7 | 0.09 |
| | 5 | | | 3 | | | | | | 4 | | 10 | | 3 | | 7 | 0.14 |
| | 6 | | | 2 | | | | | | 5 | | 3 | | 2 | | 5 | 0.18 |
| | 7 | | | 1 | | | | | | 5 | | 2 | | 7 | | 1 | 5 |

| Code (PIPE) G | Fig NO. | Mat'l | Coil | Orifice(mm) | | Temp. °C | | | | Max. O.P.D. bar (Min. 0 bar) | | | | | | Cv | |
|--------------------|---------|--------|--------------|-------------|-----|----------|-----|-----------|-----|------------------------------|----|--------|----|---------|----|------|------|
| | | | | Body | Top | Coil 4 | | Coil 5/3E | | AC/DC | | | | | | | |
| | | | | | | N | V | N | V | Coil 4 | | Coil 5 | | Coil 3E | | | |
| 08(1/4) 10(3/8) | 1 | N V | 4 5 3E | 1.3 | 1.6 | -5 | -10 | -5 | -10 | 10 | 13 | 16 | 16 | 10 | 13 | 0.07 | |
| | 2 | | | 7 | | | | | | 13 | | 7 | | 13 | | 0.10 | |
| | 3 | | | 5 | | | | | | 10 | | 5 | | 5 | | 0.15 | |
| | 4 | | | 4 | | | | | | 7 | | 4 | | 4 | | 7 | 0.20 |
| | 5 | | | 3 | | | | | | 10 | | 3 | | 3 | | 10 | 0.31 |
| | 6 | | | 2 | | | | | | 7 | | 3 | | 2 | | 7 | 0.54 |
| | 7 | | | 1 | | | | | | 5 | | 2 | | 7 | | 1 | 5 |



※O. P.D. of function1, 2 refer to specification table.