

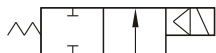
MUS-F series Normally closed



SOLENOID VALVE

Model: MUS- 35F, 40F, 50F, 65F, 80F, 100F

Available fluid: Steam, water, air & oil.



Specification :

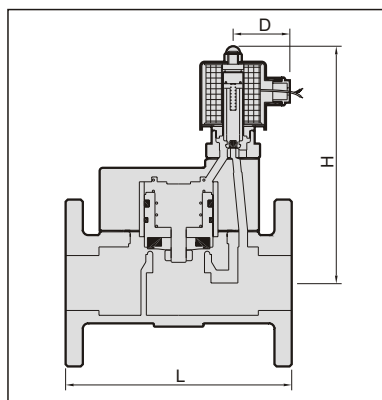
- 2-WAY normally closed solenoid valve.
- Type MUS-F without high temperature.
- Available fluid: Steam, Water, Air & Oil.
- Standard voltage: AC 110V/220V (50/60 Hz).
- Voltage is with $\pm 10\%$ differential.
- Simple construction & easy assembly.
- Other voltage of AC/DC available when required.
- Installation: Mountable in leave when required.(Prohibition in vertical position)
- Standard flanged-end type: JIS 10K(ASA 150lbs).

Not for fluid of:

- Liquid when heat, solid when cool.
- Corrosive fluid.
- Viscosity over 20 cst.
- Temperature over 185°C.

Caution:

- Pipes must be washed neat and clean before fitted.
- A Y-STRAINER has to be installed in the front of solenoid valve, that is best for long life.



Material:

Parts name	Material
Body	Cast iron (FC 20)
Bonnet / nut	Cast iron (FC 20)
Coil	Special copper wire
Piston	Special copper with PTFE O ring.
Main valve	NBR
Needle	Special st. steel
Fixed steel	Special st. steel

Model (order code)	Connection pipe size (flange type)	Cv	Orifice (mm)	Fluid temp	Max. operating pressure diff. kgf/cm ²						L (mm)	H (mm)	D (mm)	Weight (kg)
					Steam	Water	Air	Oil	Gas	Vacuum				
MUS-35F	1 1/4"	22	35	-5°C ↑ 185°C	1~10	-	1~10	1~10	-	-	200	224	58	10.5
MUS-40F	1 1/2"	30	40		1~10	-	1~10	1~10	-	-	200	226	58	10.7
MUS-50F	2"	40	50		1~10	-	1~10	1~10	-	-	210	246	58	13.5
MUS-65F	2 1/2"	68	65		1~10	-	1~10	1~10	-	-	240	278	58	17.8
MUS-80F	3"	100	80		1~10	-	1~10	1~10	-	-	300	295	58	24
MUS-100F	4"	175	100		1~10	-	1~10	1~10	-	-	340	325	58	33

※ The pressure ratings indicated above are based on AC110V/220V. The maximum pressure may vary in case on DC/AC24V.
Special order: AC380V, 415V, 440V.