

# MUPS series Normally closed

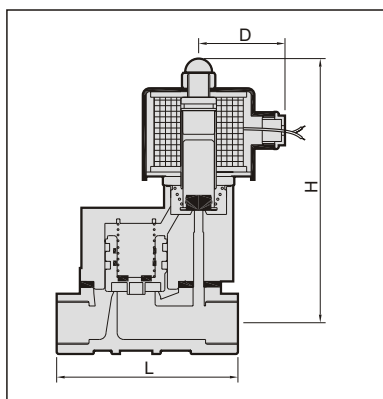
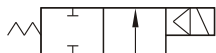


## SOLENOID VALVE

Model: 2/2 maximum regular type, normally closed

Bore: 1/2"~1" screwed end

Fluid: Steam, air, water & light oil



### Specification :

- MUPS series is multiplex-drive, connected to diaphragm open type.
- Valve body made of cast bronze.
- Basic pressure must be 0.2kgf/cm<sup>2</sup> or more before operation.
- Standard voltage: Ac110V/AC220V/DC24V (50/60Hz).
- AC Voltage tolerance: ±10%.DC voltage tolerance: ±1%.
- Other special AC/DC voltages can be made to client's order.
- Screwed end to: BSPT, NPT or BSP.
- In case a conductive closed type is required for normally open.
- Applicable for working in high frequency movement location.

### Not for fluid of:

- Liquid status when heat, solid status when cool.
- Corrosive fluid.
- Viscosity over 20 cst.

### Caution:

- Pipes must be washed neat and clean before fitted.
- A Y-STRAINER has to be installed in the front of solenoid
- Before sales and installation, be sure what type of fluid.
- Installation only of horizontal piping. Vertical piping is not applicable.

### Material:

Parts name	Material
Coil	Special copper wire (H)
Tube	Stainless steel
Core	Stainless steel
Spring	Stainless steel
Piston spring	Stainless steel
Plug	PTFE
Piston	Bronze
Body	Forged brass

Model (order code)	Connection pipe size (flange type)	Cv	Orifice (mm)	Fluid temp	Max. operating pressure diff. kgf/cm <sup>2</sup>						L (mm)	H (mm)	D (mm)	Weight (kg)
					Steam	Water	Air	Oil	Gas	Vacuum				
MUPS-15	PT 1/2"	4.8	17	-5°C 185°C	0.2~10	0.2~10	0.2~10	0.2~10	-	-	82	120	48	1.7
MUPS-20	PT 3/4"	6.0	17		0.2~10	0.2~10	0.2~10	0.2~10	-	-	82	120	48	1.7
MUPS-25	PT 1"	12	22		0.2~10	0.2~10	0.2~10	0.2~10	-	-	100	134	48	2.0

※ The pressure ratings indicated above are based on AC110V/220V. The maximum pressure may vary in case on DC/AC24V. Special order: AC380V, 415V, 440V.