

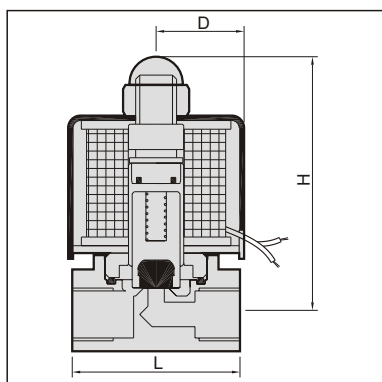
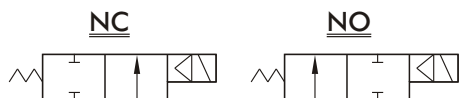
MUD series Normally closed

SOLENOID VALVE



Model: MUD-6.8.10, MUD-6H, 8H, 10H

Available fluid: Hot water, water, air, light oil, gas & vacuum.



Specification :

- 2-WAY normally closed solenoid valve.
- Type MUD is normally closed, can direct operating without pressure. (used for the fluid of Water, Air, Gas, Light Oil & Vacuum)
- Standard voltage: AC 110V/220V (50/60 Hz).
- Voltage is with $\pm 10\%$ differential.
- Small size & easy assembly.
- Other voltage of AC/DC available when required.
- Installation: Mountable in any position without affecting operation.
- Port thread BSP, NPT, are also available.

Not for fluid of:

- Liquid when heat, solid when cool.
- Corrosive fluid.
- Viscosity over 50 cst.
- Temperature over 80°C:
MUD-6, MUD-8 & MUD-10.
- Temperature over 130°C of centigrade:
MUD-6H, MUD-8H & MUD-10H.

Caution:

- Pipes must be washed neat and clean before fitted.
- A Y-STRAINER has to be installed in the front of solenoid valve, that is best for long life.

Material:

Parts name	Material
Coil	Special copper wire
Tube	Special st. steel
Spring	Stainless steel
Fixed steel	Special st. steel
Plug	NBR, viton, silicon
Disc	NBR
Body	Forge brass

	Model (order code)	Connection pipe size	Cv	Orifice (mm)	Fluid temp	Max. operating pressure diff. kgf/cm ²						L (mm)	H (mm)	D (mm)	Weight (kg)
						Hot water	Water	Air	Light oil	Gas	Vacuum				
NC	MUD-6	PT 1/8"	0.23	2.5	-5°C	0~7	0~7	0~7	0~7	0~7	0~10 ⁻⁴ Torr	41	63	21	0.3
	MUD-8	PT 1/4"	0.23	2.5	↑	0~7	0~7	0~7	0~7	0~7	0~10 ⁻⁴ Torr	41	63	21	0.3
	MUD-10	PT 3/8"	0.6	4	80°C	0~10	0~10	0~10	0~10	0~10	0~10 ⁻⁴ Torr	53	75	48	0.6
	MUD-6H	PT 1/8"	0.18	1.2	-5°C	0~20	0~20	0~20	0~20	0~20	0~10 ⁻⁴ Torr	41	63	21	0.3
	MUD-8H	PT 1/4"	0.18	1.2	↑	0~20	0~20	0~20	0~20	0~20	0~10 ⁻⁴ Torr	41	63	21	0.3
	MUD-10H	PT 3/8"	0.45	2.0	130°C	0~20	0~20	0~20	0~20	0~20	0~10 ⁻⁴ Torr	53	75	48	0.6
NO	MUD-6-NO	PT 1/8"	0.23	2.5	-5°C	0~7	0~7				0~10 ⁻³ Torr	41	81	21	0.4
	MUD-8-NO	PT 1/4"	0.23	2.5	↑	0~7	0~7				0~10 ⁻³ Torr	41	81	21	0.4
	MUD-10-NO	PT 3/8"	0.58	4	80°C	0~3	0~3				0~10 ⁻³ Torr	41	81	21	0.4
	MUD-6H-NO	PT 1/8"	0.18	1.2	-5°C	0~1	0~1				0~10 ⁻³ Torr	41	81	21	0.4
	MUD-8H-NO	PT 1/4"	0.18	1.2	↑	0~20	0~20				0~10 ⁻³ Torr	41	81	21	0.4
	MUD-10H-NO	PT 3/8"	0.58	4	130°C	0~7	0~7				0~10 ⁻³ Torr	54	106	48	0.65

※ The pressure ratings indicated above are based on AC110V/220V. The maximum pressure may vary in case on DC/AC24V.
Special order: AC380V, 415V, 440V.