

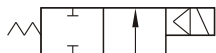
# MSUW series Normally closed / Open



## SOLENOID VALVE

Model: MSUW- 15, 20, 25, 35, 40, 50

Available fluid: Water, air, oil.



### Specification :

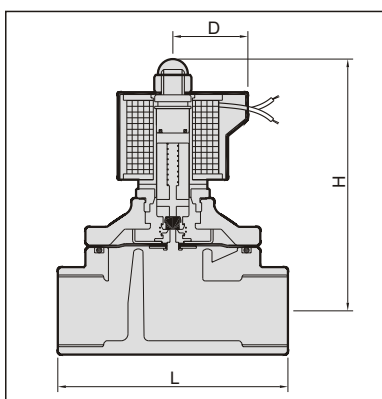
- 2-WAY normally closed solenoid valve.
- Type MSUW is normally closed, can direct operating without pressure.
- Available Fluid. Water, Air, Oil.
- Standard voltage: AC 110V/220V (50/60 Hz).
- Voltage is with  $\pm 10\%$  differential.
- Other voltage of AC/DC available when required.
- Small size, high flow, little electric power required.
- Port thread BSP, NPT, are also available.

### Not for fluid of:

- Liquid when heat, solid when cool.
- Corrosive fluid.
- Viscosity over 20 cst.
- Temperature over 80°C.

### Caution:

- Pipes must be washed neat and clean before fitted.
- A Y-STRAINER has to be installed in the front of solenoid valve, that is best for long life.



### Material:

Parts name	Material
Coil	Special copper wire H grade
Tube	Special st. steel
Spring	Stainless steel
Fixed steel	Special st. steel
Plug	NBR, viton, silicon
Diaphragm	NBR, viton, silicon
Disc	NBR, viton, silicon
Body	Precision die cast S.S. #316

	Model (order code)	Connection pipe size	Cv	Orifice (mm)	Fluid temp	Max. operating pressure diff. kgf/cm <sup>2</sup>						L (mm)	H (mm)	D (mm)	Weight (kg)
						Hot water	Water	Air	Light oil	Gas	Vacuum				
NC	MSUW-15-316	PT 1/2"	4.5	15	-5°C	-	0~5	0~7	-	-	-	70	100	50	0.9
	MSUW-20-316	PT 3/4"	8.6	20		-	0~5	0~7	-	-	-	73	102	50	1
	MSUW-25-316	PT 1"	12	25	80°C	-	0~5	0~7	-	-	-	93	106	50	1.8
	MSUW-35-316	PT 1 1/4"	24	35		-	0~5	0~7	-	-	-	125	140	58	3.2
	MSUW-40-316	PT 1 1/2"	28	40		-	0~5	0~7	-	-	-	125	140	58	3.5
	MSUW-50-316	PT 2"	48	50		-	0~5	0~7	-	-	-	167	170	58	5.4
NO	MSUW-15-NO	PT 1/2"	4.5	15	-5°C	-	0~5	0~7	-	-	0~10 <sup>-3</sup> Torr	70	126	50	1.0
	MSUW-20-NO	PT 3/4"	8.6	20		-	0~5	0~7	-	-	0~10 <sup>-3</sup> Torr	76	132	50	1.1
	MSUW-25-NO	PT 1"	12	25	80°C	-	0~5	0~7	-	-	0~10 <sup>-3</sup> Torr	100	139	50	1.7
	MSUW-35-NO	PT 1 1/4"	24	35		-	0~5	0~7	-	-	0~10 <sup>-3</sup> Torr	123	154	58	3.2
	MSUW-40-NO	PT 1 1/2"	28	40		-	0~5	0~7	-	-	0~10 <sup>-3</sup> Torr	123	156	58	3.4
	MSUW-50-NO	PT 2"	48	50		-	0~5	0~7	-	-	0~10 <sup>-3</sup> Torr	167	175	58	5.7

※ The pressure ratings indicated above are based on AC110V/220V. The maximum pressure may vary in case on DC/AC24V.  
Special order: AC380V, 415V, 440V.