

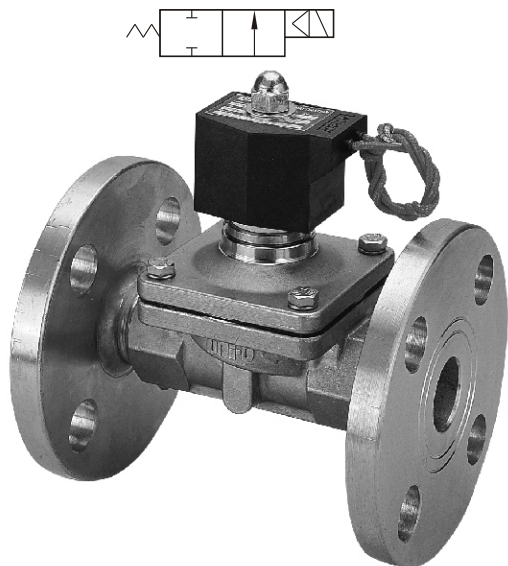
MSUW-F series Normally closed



SOLENOID VALVE

Model: MSUW- 15F, 20F, 25F, 35F, 40F, 50F

Available fluid: Water, air, oil.



Specification :

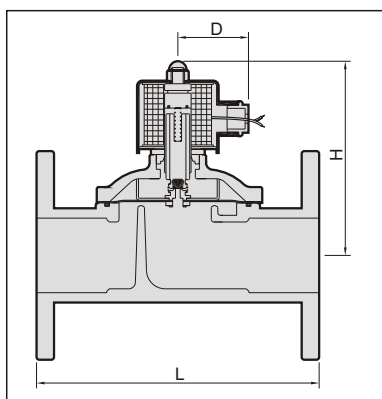
- 2-WAY normally closed solenoid valve.
- Type MSUW-F is normally closed, can direct operating without pressure.
- Available fluid: Water, Air, Oil.
- Standard voltage: AC 110V/220V (50/60 Hz).
- Voltage is with $\pm 10\%$ differential.
- Other voltage of AC/DC available when required.
- Small size, high flow, little electric power required.
- Standard flanged-end type: JIS 10K(ASA 150lbs).

Not for fluid of:

- Liquid when heat, solid when cool.
- Corrosive fluid.
- Viscosity over 20 cst.
- Temperature over 80°C.

Caution:

- Pipes must be washed neat and clean before fitted.
- A Y-STRAINER has to be installed in the front of solenoid valve, that is best for long life.



Material:

Parts name	Material
Body	CF8M #316
Bonnet / nut	CF8M #316
Coil	Special copper wire
Diaphragm	N.B.R.
Disc	N.B.R.
Spring	St. 304
Fixed steel	Special st. steel

Model (order code)	Connection pipe size (flange type)	Cv	Orifice (mm)	Fluid temp	Max. operating pressure diff. kgf/cm ²						L (mm)	H (mm)	D (mm)	Weight (kg)
					Steam	Water	Air	Oil	Gas	Vacuum				
MSUW-15F	1/2"	4.5	15	-5°C 80°C	-	0~5	0~7	0~5	-	-	110	146	36	1.9
MSUW-20F	3/4"	8.6	20		-	0~5	0~7	0~5	-	-	120	153	36	2.4
MSUW-25F	1"	12	25		-	0~5	0~7	0~5	-	-	150	167	36	3.6
MSUW-35F	1 1/4"	24	35		-	0~5	0~7	0~5	-	-	170	203	58	6.1
MSUW-40F	1 1/2"	28	40		-	0~5	0~7	0~5	-	-	170	203	58	6.4
MSUW-50F	2"	48	50		-	0~5	0~7	0~5	-	-	210	235	58	9.3

※ The pressure ratings indicated above are based on AC110V/220V. The maximum pressure may vary in case on DC/AC24V.
Special order: AC380V, 415V, 440V.