

### Specification :

- IP65 100% ED coil
- PTB approval EExmIIT4 coil

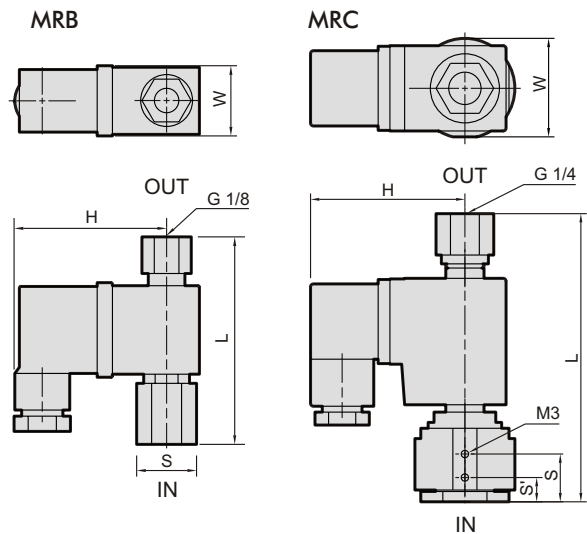
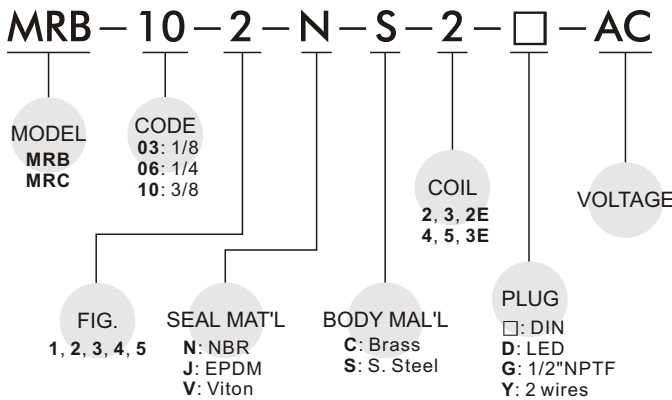
### Power consumption:

Coil power	2	3	2E	4	5	3E
AC(VA)	8.5/6.9	13/10	4.8	17.6/15.4	33/23	9.2
DC(W)	4.9	6.8	5.2	15	18.5	10

### Dimensions:

Model	MRB			MRC		
	Code	03	06	03	06	10
Dimension (mm)						
L		68		98		
H		50		53		
W		23		34		
S		19		16		
S'		-		8		
N.W.(Kg)		0.20		0.45		

### Order example:



### Specification:

Model **MRB**: Mini brass body, 2/2 way N.O., for water. air. gas. light oil.

Code (PIPE) G	Fig. no.	Mat'l		Coil	Orifice mm	Temp. 5~°C						Working press. bar			CV	VAC. torr
		Seal	Body			Coil 2/2E			Coil 3			Coil 2	Coil 3	Coil 2E		
						N	J	V	N	J	V					
03(1/8)	1	N, J, V	C	2,3,2E	1.3	80			90			0~14	0~20	0~10	0.05	10 <sup>-3</sup>
06(1/4)	2					120			0~10	0~15	0~7	0.09				

Model **MRC**: Brass body, 2/2 way N.O., for water. air. gas. light oil.

Code (PIPE) G	Fig. no.	Mat'l		Coil	Orifice mm	Temp. 5~°C						Working press. bar			CV	VAC. torr						
		Seal	Body			Coil 4/3E			Coil 5			Coil 4	Coil 5	Coil 3E								
						N	J	V	N	J	V											
03(1/8) 06(1/4) 10(3/8)	1	N	C	4 5 3E	1.6	90			120			90			150			0~16	0~24	0~16	0.10	10 <sup>-3</sup>
	2				2.0													0~13	0~20	0~13	0.15	
	3				2.2													0~10	0~16	0~10	0.17	
	4				2.5													0~7	0~10	0~7	0.20	
	5				3.0													0~5	0~7	0~5	0.31	

\* S.S. body is available.