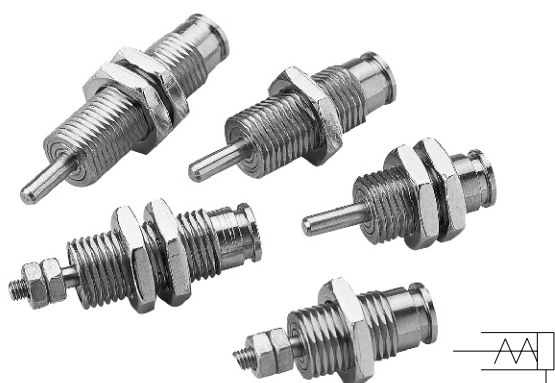
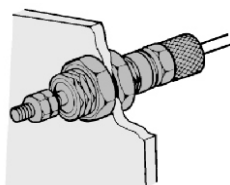


MCMJP* series

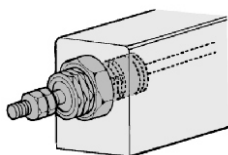
PEN CYLINDERS



Mounting style



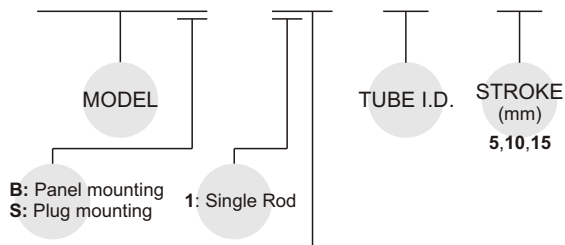
B: Panel mounting style



S: Plug mounting style

Order example:

MCMJPB — 15 — 6 — 15



STYLE:

Code	Symbol	Description
1 0		Single acting / Normally returned without thread
1 5		Single acting / Normally returned male thread

Features:

■ A short stroke miniature cylinder with a shorter overall length.

The installation space can be significantly reduced because this cylinder can be recessed directly into a machine body or installed on a panel. Thus, the machines can be made more compact.

Model	MCMJPB	MCMJPS
Acting type	Single acting	
Tube I.D. (mm)	6, 10, 15	
Medium	Air	
Max. operating pressure	7 kgf/cm ²	
Min. operating pressure	φ 6	2 kgf/cm ²
	φ 10,15	1.5 kgf/cm ²
Proof pressure	10 kgf/cm ²	
Ambient temperature	-5~+60°C (No freezing)	
Lubricator	Not required	
Available speed range	50~500 mm/sec	

Table for standard stroke

Tube I.D.	Stroke (mm)
φ 6,10,15	5,10,15

Spring retracting force

(N)

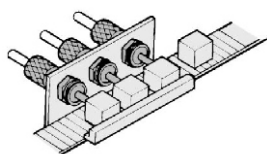
Tube I.D.	Extended position	Retracted position
φ 6	3.92	1.42
φ 10	5.98	2.45
φ 15	10.80	4.41

Theoretical force

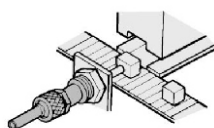
(N)

Tube I.D.	Operation direction	Operating Pressure (MPa)		
		0.3	0.5	0.7
φ 6	OUT	4.56	10.2	15.9
	IN	1.42		
φ 10	OUT	17.6	33.3	49.0
	IN	2.45		
φ 15	OUT	42.2	77.5	113
	IN	4.41		

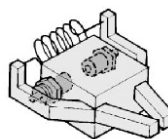
Application examples



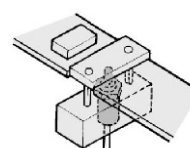
Clamer



Ejector

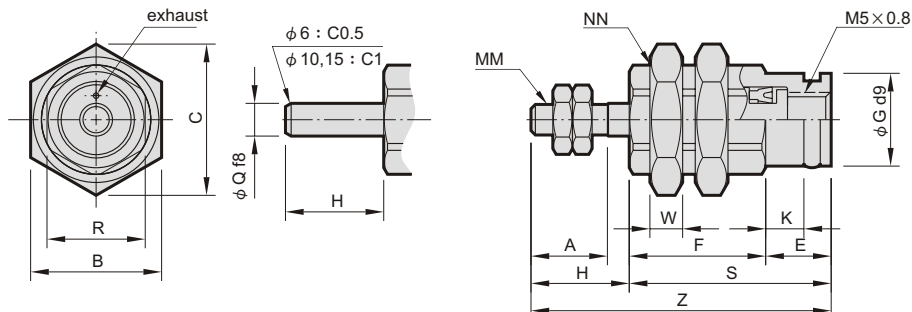


Gripper

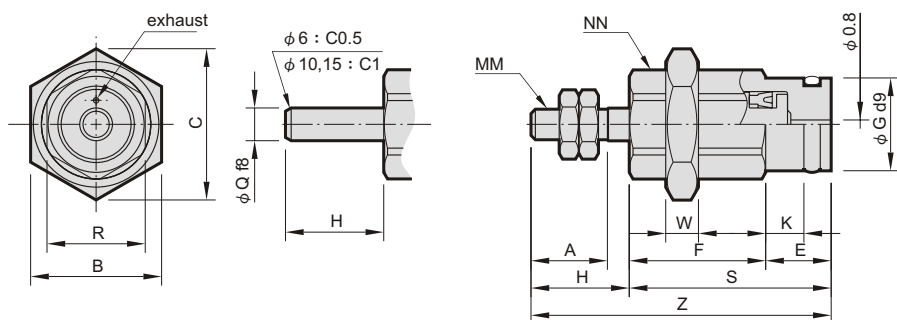


Stopper

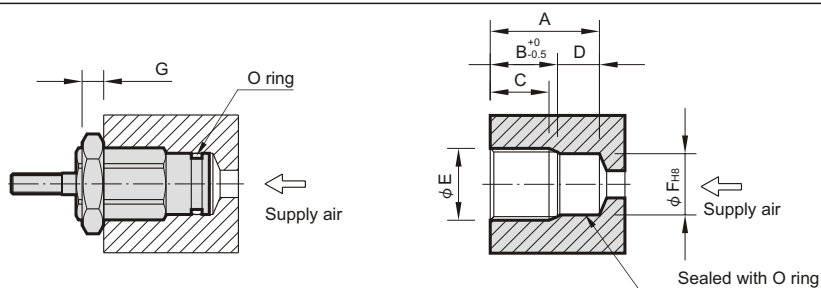
MCMJPB



MCMJPS



Code Tube I.D.	A	B	C	E	F			G	H	K	MM	NN	Q	R	S			W	Z		
					5st	10st	15st								5st	10st	15st		5st	10st	15st
6	7	12	13.9	6	12.5	19.5	26.5	8.5	9	3.5	M3×0.5	M10×1.0	3	9	18.5	25.5	32.5	3	27.5	34.5	41.5
10	10	19	22	6	14.5	21	28	12	12	3.5	M4×0.7	M15×1.5	5	13	20.5	27	34	4	32.5	39	46
15	12	27	31	7	16.5	22.5	29	19	14	4.2	M5×0.8	M22×1.5	6	20	23.5	29.5	36	5	37.5	43.5	50



When plug mounting

Maching dimension for mounting

Tube I.D.	Code Stroke	A	B	C	D	E	F	G
6	5	16	12.5	10	3.5	M10×1.0	8.5	3
	10	23	19.5	17				
	15	30	26.5	24				
10	5	17	13.5	10.5	3.5	M15×1.5	12	4
	10	23.5	20	17				
	15	30.5	27	24				
15	5	19	14.5	11.5	4.5	M22×1.5	19	5
	10	25	20.5	17.5				
	15	31.5	27	24				