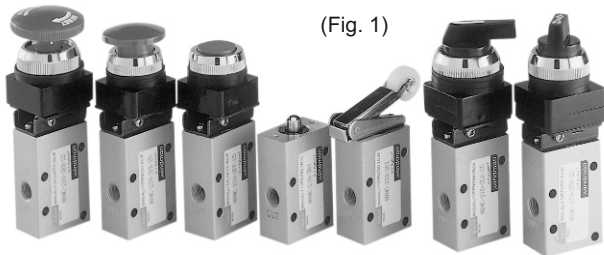


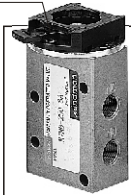
# MVMC-210 series

## MECHANICAL VALVES



(Fig. 1)

actuator-holder



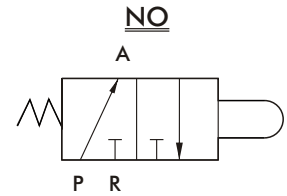
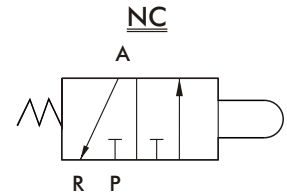
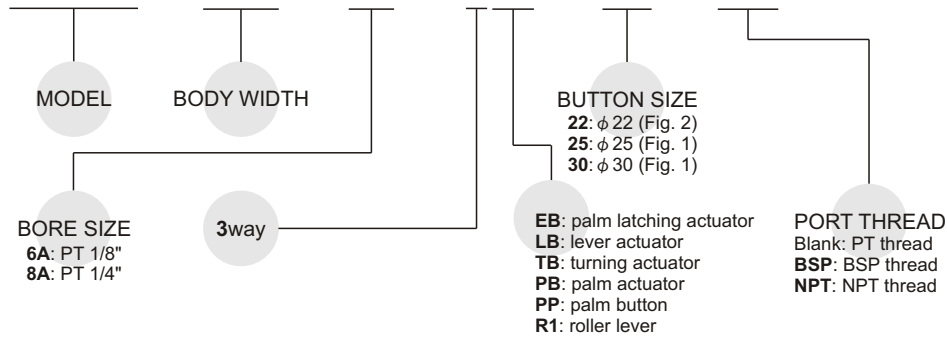
- Only show body and actuator-holder in Fig. 2
- Actuators are exchangeable with the same holder.
- Actuator set or released by one-action.

### Specification:

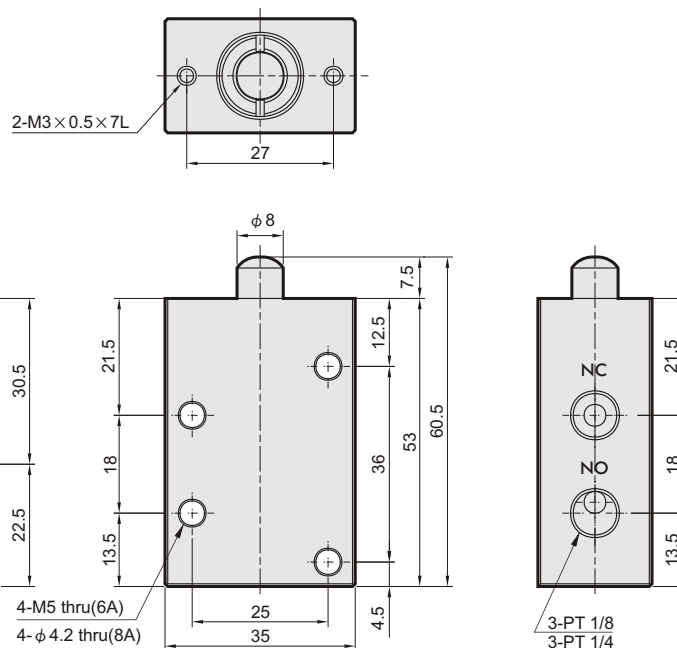
Model	MVMC-210	
Bore No.	6A	8A
Port size	PT 1/8	PT 1/4
No. of port	3	
No. of position	2	
Medium	Air	
Operating pressure range	0~9.9 kgf/cm <sup>2</sup>	
Effective orifice	19 mm <sup>2</sup>	
Ambient temperature	-5~+60°C (No freezing)	
Weight	155 g	

### Order example:

**MVMC - 210 - 6A - 3EB - 25 - BSP**



### MVMC-210-3\*\*

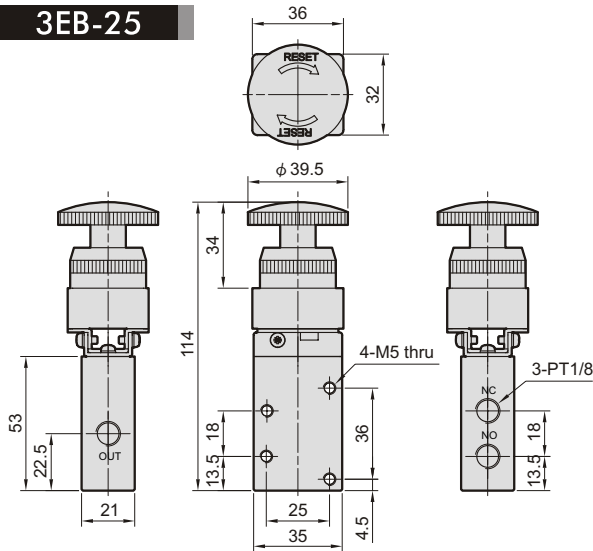


# MVMC-210

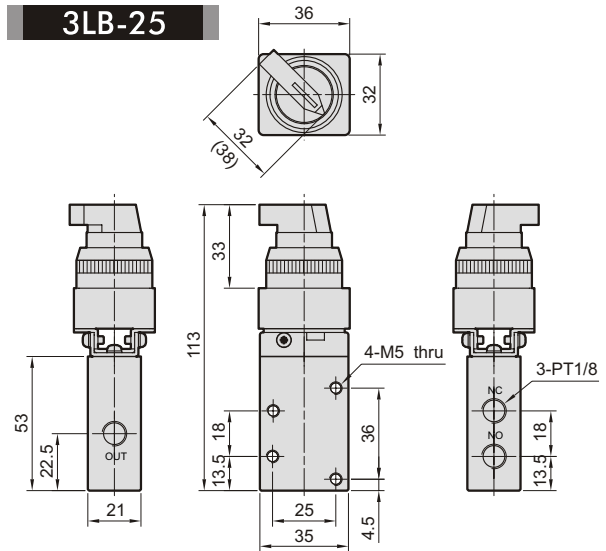
## MECHANICAL VALVES



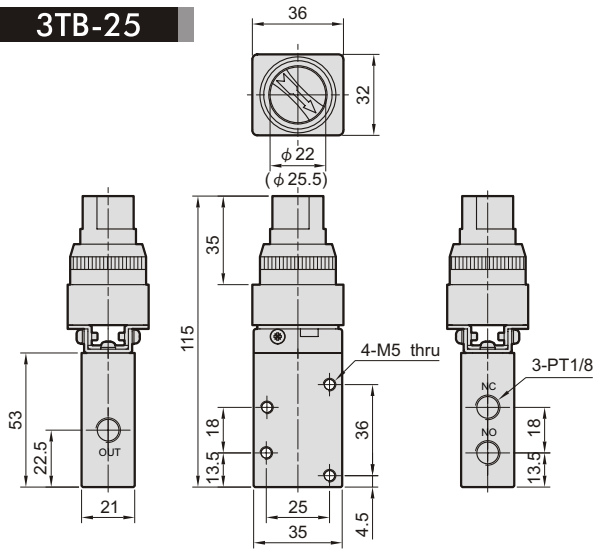
### 3EB-25



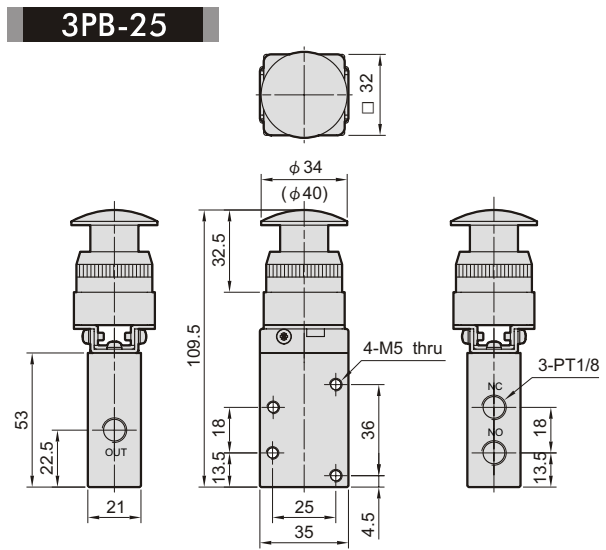
### 3LB-25



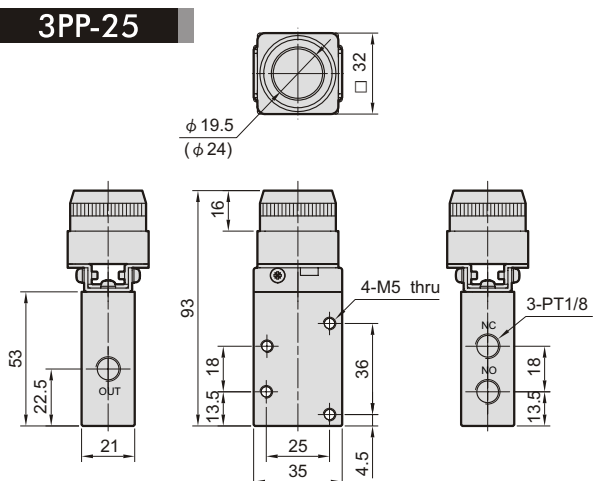
### 3TB-25



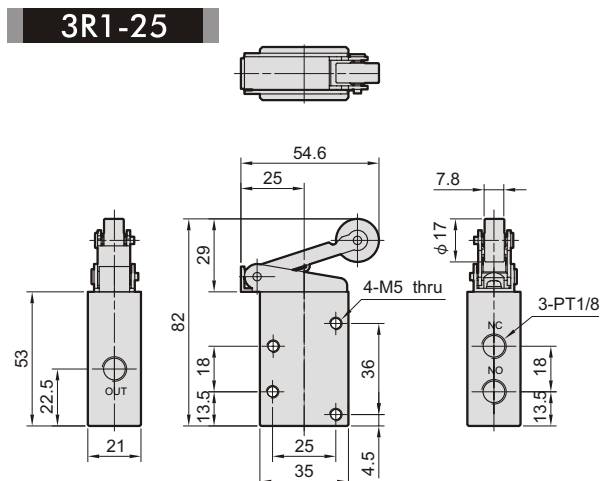
### 3PB-25



### 3PP-25



### 3R1-25



( ) : Dimension for button size  $\phi 30$ .