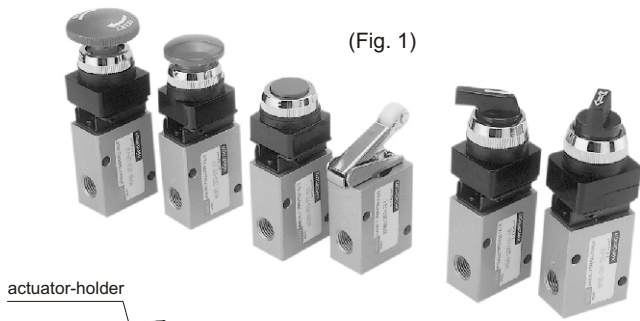


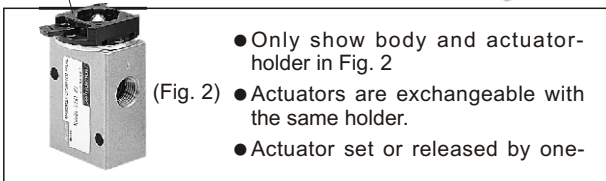
# MVMB-250 series

## MECHANICAL VALVES



(Fig. 1)

actuator-holder



- Only show body and actuator-holder in Fig. 2
- Actuators are exchangeable with the same holder.
- Actuator set or released by one-

### Specification:

Model	MVMB-250
Bore No.	8A
Port size	PT 1/4
No. of port	2 or 3
No. of position	2
Medium	Air
Operating pressure range	0~9.9 kgf/cm <sup>2</sup>
Effective orifice	18 mm <sup>2</sup>
Ambient temperature	-5~+60°C (No freezing)
Weight	193 g

### Order example:

MVMB - 250 - 3R1 - 25 - BSP

MODEL

BODY WIDTH

BUTTON SIZE

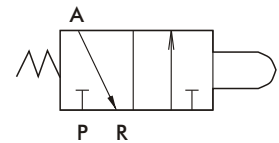
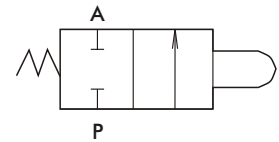
22:  $\phi$  22 (Fig. 2)  
25:  $\phi$  25 (Fig. 1)  
30:  $\phi$  30 (Fig. 1)

PORT THREAD

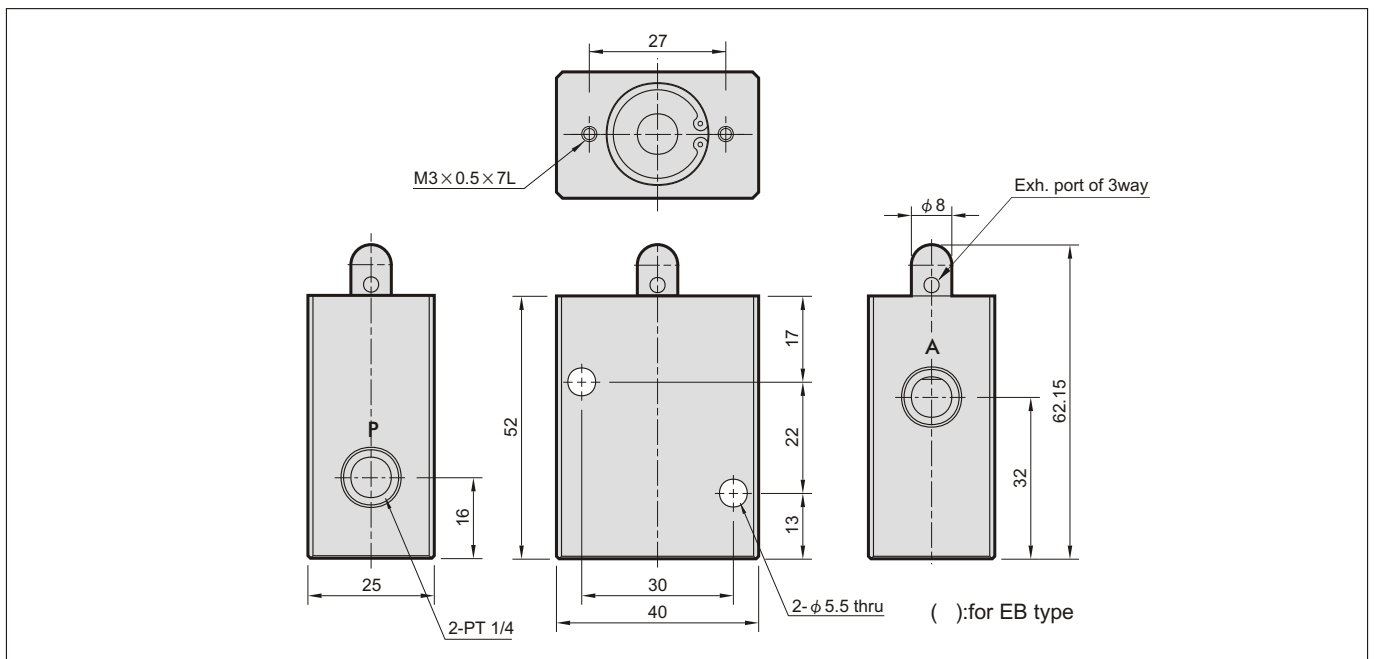
Blank: PT thread  
BSP: BSP thread  
NPT: NPT thread

2: 2way  
3: 3way

EB: palm latching actuator  
LB: lever actuator  
TB: turning actuator  
PB: palm actuator  
PP: palm button  
R1: roller lever



### MVMB-250

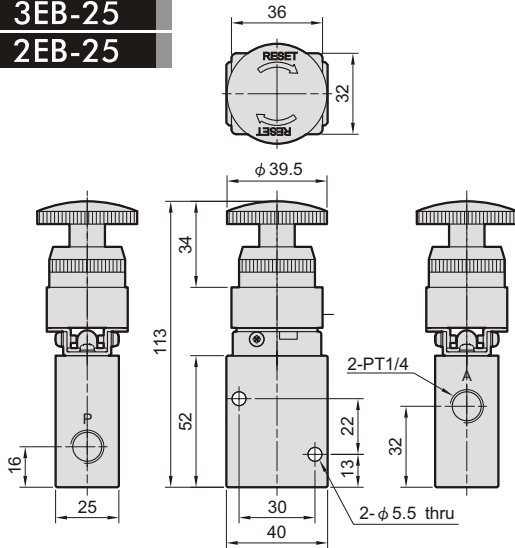


# MVMB-250

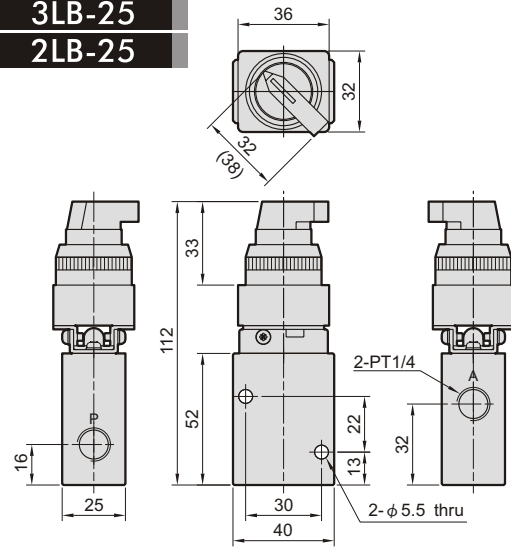
## MECHANICAL VALVES



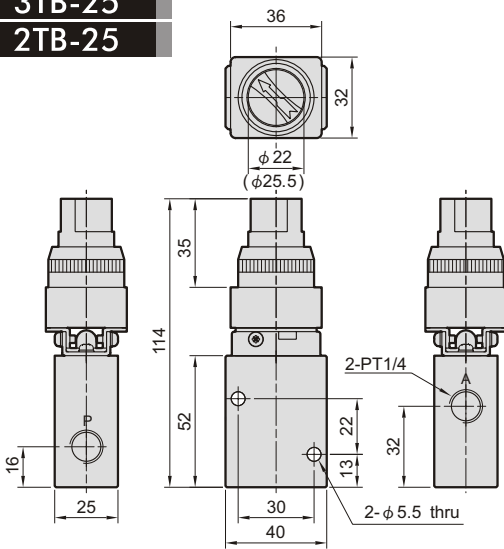
**3EB-25**  
**2EB-25**



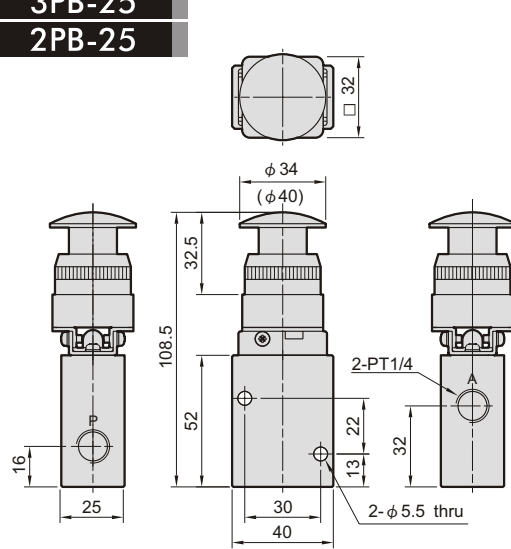
**3LB-25**  
**2LB-25**



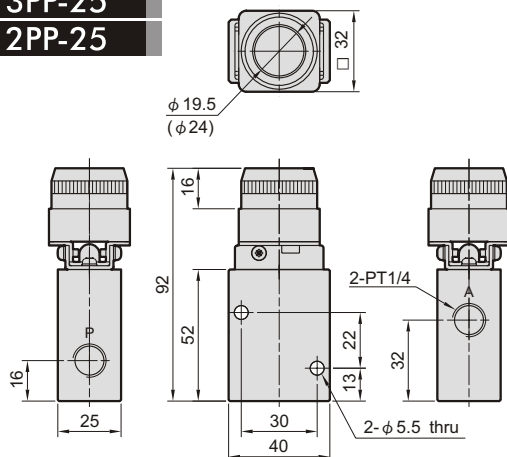
**3TB-25**  
**2TB-25**



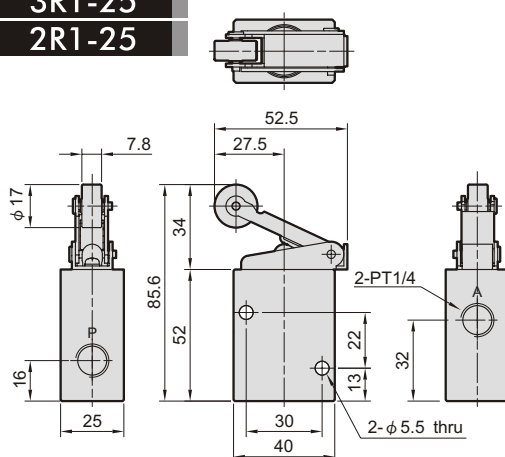
**3PB-25**  
**2PB-25**



**3PP-25**  
**2PP-25**



**3R1-25**  
**2R1-25**



( ) : Dimension for button size φ30.