

MVHF-PB2, MVHF-PB5

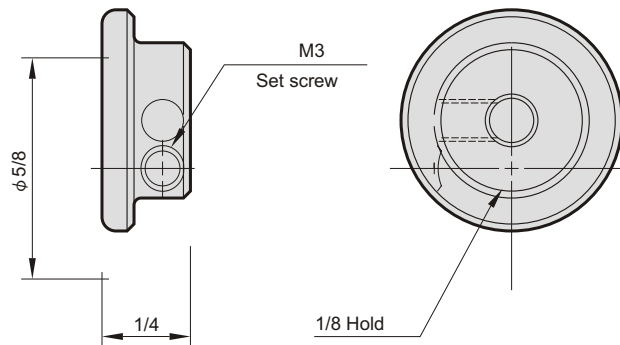
VALVE ACTUATORS **MANUAL PUSH BUTTON**



Specification:

Model	MVHF-PB2	MVHF-PB5
Type	Round, solid brass prevents over travel of valve stem by providing a positive stop.	
Use	Mounts directly on valve stem for manual operation of valve. Prevents over travel of valve stem by providing a positive stop.	
Mounting	1/8" dia. mounting hole fits valve stems, locks in place by set screw. (Allen wrench furnished)	
Note	Individually packaged or bulk quantities available.	
Weight	7 g	6 g

MVHF-PB2



MVHF-PB5

