

MVHC series

HAND VALVE

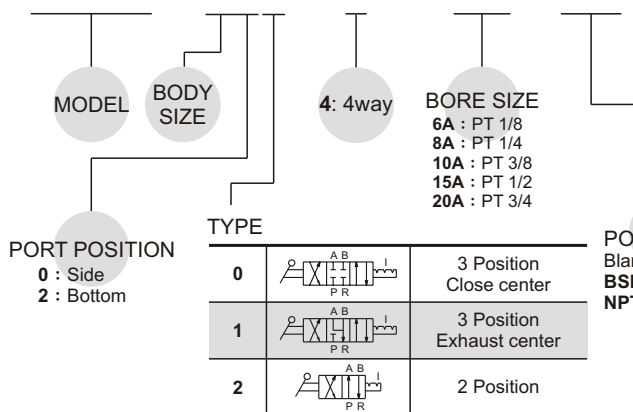


Specification:

Model	MVHC-2**	MVHC-3**	MVHC-4**
Bore No.	6A, 8A	8A, 10A, 15A	15A, 20A
No. of port	4		
Medium	Air		
Operating pressure range	0~9.9 kgf/cm ²		
Ambient temperature	-5~+60°C (No freezing)		
Option	Mounting nut		
Weight	280 g	420 g	1100 g

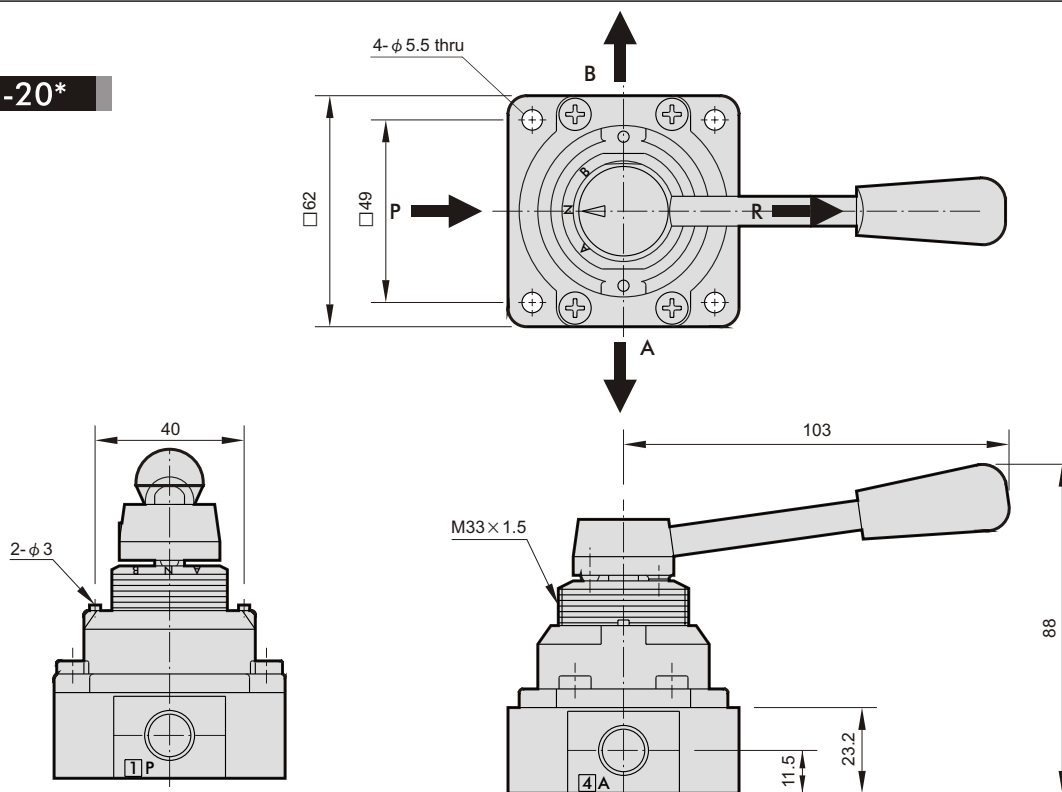
Order example:

MVHC - 200 - 4H - 8A - BSP

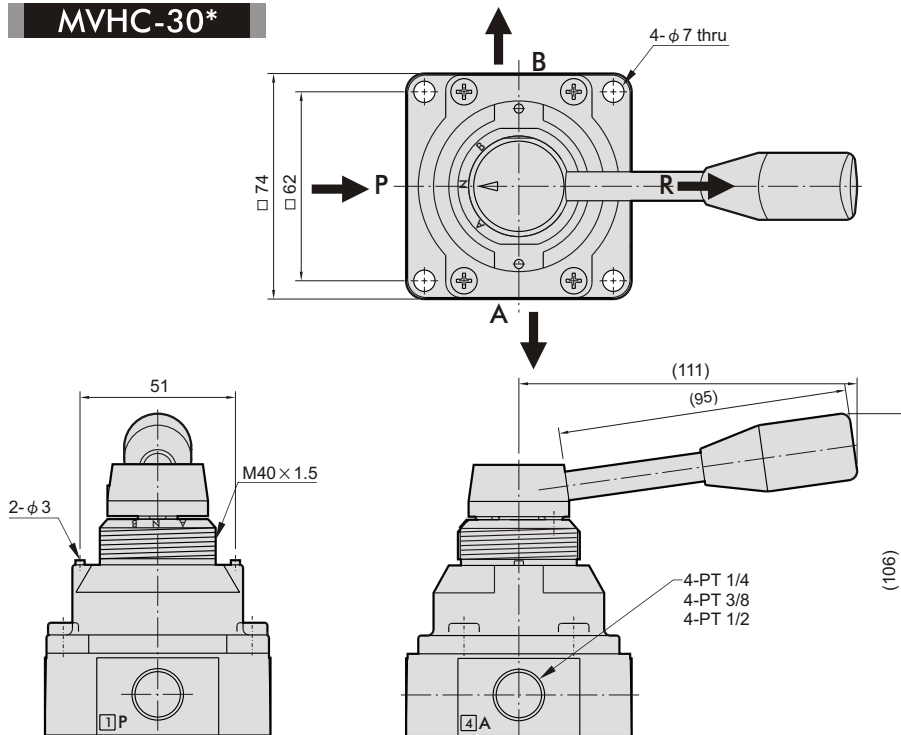


Bore size	6A	8A	10A	15A	20A
Model	PT 1/8	PT 1/4	PT 3/8	PT 1/2	PT 3/4
MVHC-2**					
MVHC-3**					
MVHC-4**					

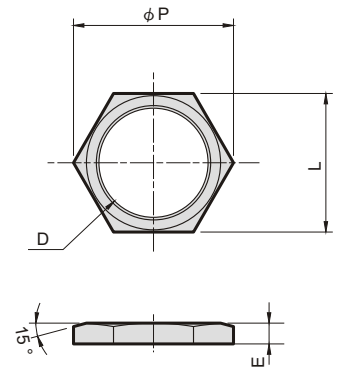
MVHC-20*



MVHC-30*

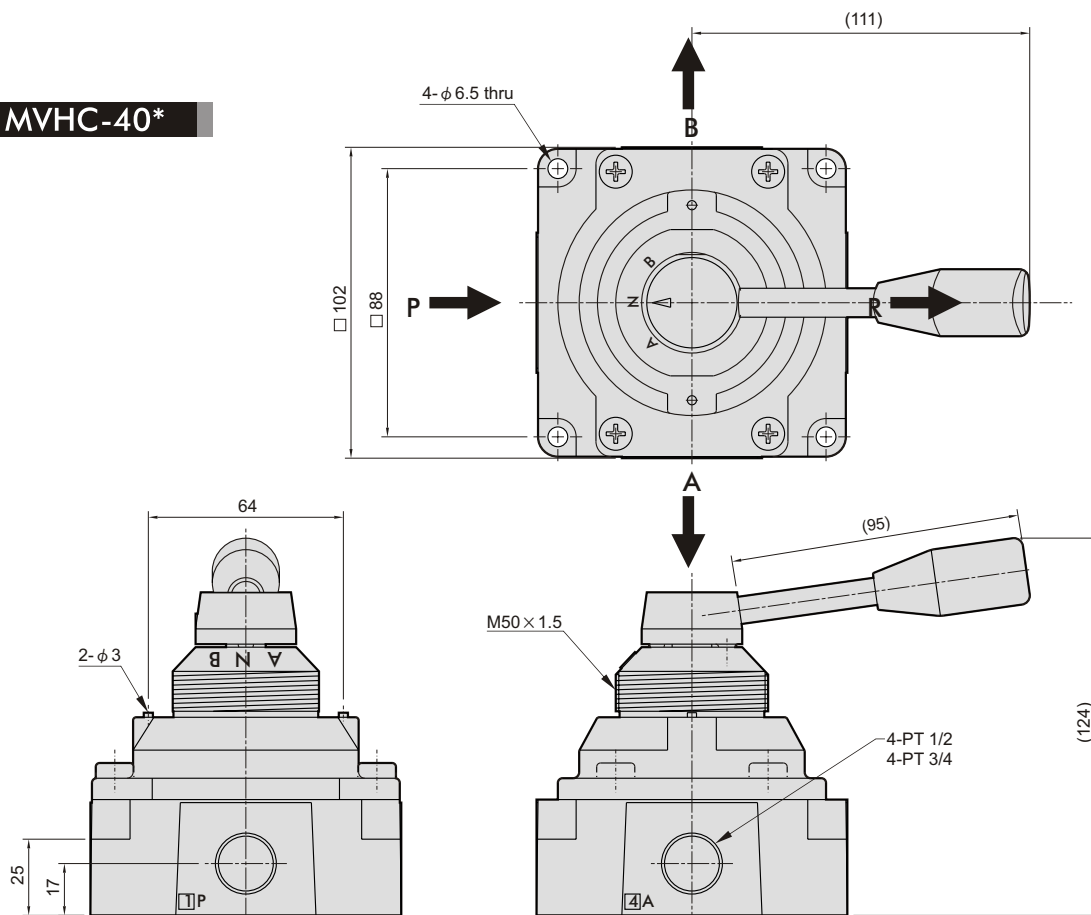


Mounting nut

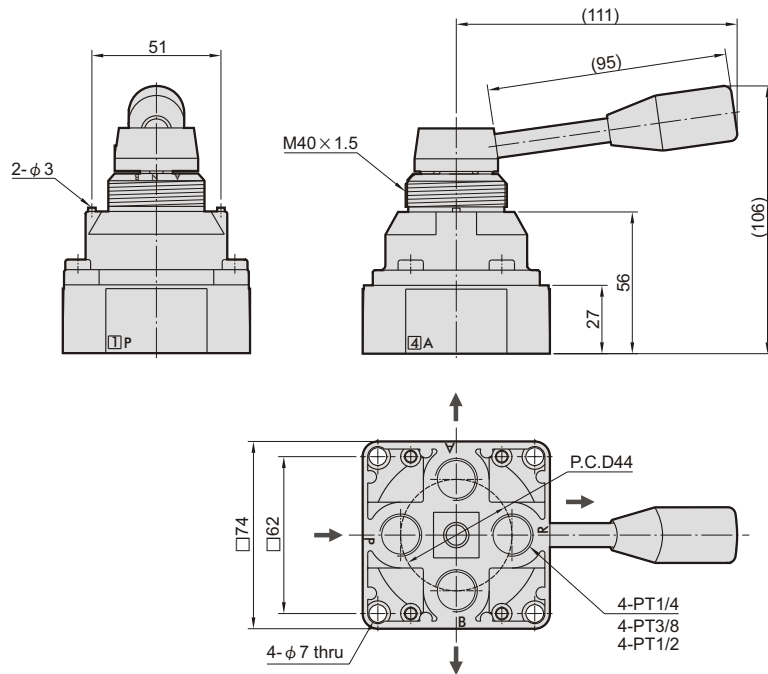


Model	D	E	L	P
2**	M33 x 1.5	6	40	46
3**	M40 x 1.5	6	50	57
4**	M50 x 1.5	8	55	63

MVHC-40*



MVHC-32*



MVHC-42*

