

Specification:

Model	Acting	Port size	Port no. / Position	Medium	Operating pressure range	Ambient temperature	Weight
ACT-401-02	Spring return type	PT 1/4	5/2	Air	0~9 kgf/cm ²	-0~+60℃	380 g
ACT-401-03	Spring return type	PT 3/8	5/2	Air	0~9 kgf/cm ²	-0~+60℃	363 g
ACT-401-02-3A	Automatic return type	PT 1/4	5/3	Air	0~9 kgf/cm ²	-0~+60℃	385 g
ACT-401-03-3A	Automatic return type	PT 3/8	5/3	Air	0~9 kgf/cm ²	-0~+60℃	368 g
ACT-401-02-3A1	Automatic return (Exhaust center)	PT 1/4	5/3	Air	0~9 kgf/cm ²	-0~+60℃	385 g
ACT-401-03-3A1	Automatic return (Exhaust center)	PT 3/8	5/3	Air	0~9 kgf/cm ²	-0~+60℃	368 g
ACT-402-02	Spring return type	PT 1/4	5/2	Air	0~9 kgf/cm ²	-0~+60℃	357 g
ACT-402-03	Spring return type	PT 3/8	5/2	Air	0~9 kgf/cm ²	-0~+60℃	340 g
ACT-403-02	Spring return type	PT 1/4	5/2	Air	0~9 kgf/cm ²	-0~+60℃	587 g
ACT-403-03	Spring return type	PT 3/8	5/2	Air	0~9 kgf/cm ²	-0~+60℃	570 g
ACT-405-02	Spring return type	PT 1/4	5/2	Air	0~9 kgf/cm ²	-0~+60℃	370 g
ACT-405-03	Spring return type	PT 3/8	5/2	Air	0~9 kgf/cm ²	-0~+60℃	353 g
ACT-406-02	Pilot return type	PT 1/4	5/2	Air	0~9 kgf/cm ²	-0~+60℃	352 g
ACT-406-03	Pilot return type	PT 3/8	5/2	Air	0~9 kgf/cm ²	-0~+60℃	334 g
ACT-407-02	Pilot return type	PT 1/4	5/2	Air	0~9 kgf/cm ²	-0~+60℃	628 g
ACT-407-03	Pilot return type	PT 3/8	5/2	Air	0~9 kgf/cm ²	-0~+60℃	606 g
ACT-410-02	Hand return type	PT 1/4	5/2	Air	0~9 kgf/cm ²	-0~+60℃	346 g
ACT-410-03	Hand return type	PT 3/8	5/2	Air	0~9 kgf/cm ²	-0~+60℃	330 g
ACT-410-02-3	Hand return type	PT 1/4	5/3	Air	0~9 kgf/cm ²	-0~+60℃	346 g
ACT-410-03-3	Hand return type	PT 3/8	5/3	Air	0~9 kgf/cm ²	-0~+60℃	330 g
ACT-410-02-31	Hand return (Exhaust center)	PT 1/4	5/3	Air	0~9 kgf/cm ²	-0~+60℃	346 g
ACT-410-03-31	Hand return (Exhaust center)	PT 3/8	5/3	Air	0~9 kgf/cm ²	-0~+60℃	330 g
ACT-411-02	Hand return type	PT 1/4	5/2	Air	0~9 kgf/cm ²	-0~+60℃	620 g
ACT-411-03	Hand return type	PT 3/8	5/2	Air	0~9 kgf/cm ²	-0~+60℃	603 g
ACT-411-02-3	Hand return type	PT 1/4	5/3	Air	0~9 kgf/cm ²	-0~+60℃	620 g
ACT-411-03-3	Hand return type	PT 3/8	5/3	Air	0~9 kgf/cm ²	-0~+60℃	603 g
ACT-411-02-3A	Automatic return type	PT 1/4	5/3	Air	0~9 kgf/cm ²	-0~+60℃	658 g
ACT-411-03-3A	Automatic return type	PT 3/8	5/3	Air	0~9 kgf/cm ²	-0~+60℃	640 g
ACT-411-02-3A1	Automatic return (Exhaust center)	PT 1/4	5/3	Air	0~9 kgf/cm ²	-0~+60℃	658 g
ACT-411-03-3A1	Automatic return (Exhaust center)	PT 3/8	5/3	Air	0~9 kgf/cm ²	-0~+60℃	640 g
ACT-412-02	Hand return type	PT 1/4	5/2	Air	0~9 kgf/cm ²	-0~+60℃	342 g
ACT-412-03	Hand return type	PT 3/8	5/2	Air	0~9 kgf/cm ²	-0~+60℃	325 g
ACT-301-02	Spring return type	PT 1/4	3/2	Air	0~9 kgf/cm ²	-0~+60℃	318 g
ACT-302-02	Spring return type	PT 1/4	3/2	Air	0~9 kgf/cm ²	-0~+60℃	296 g
ACT-303-02	Spring return type	PT 1/4	3/2	Air	0~9 kgf/cm ²	-0~+60℃	520 g
ACT-305-02	Spring return type	PT 1/4	3/2	Air	0~9 kgf/cm ²	-0~+60℃	305 g
ACT-306-02	Pilot return type	PT 1/4	3/2	Air	0~9 kgf/cm ²	-0~+60℃	288 g
ACT-307-02	Pilot return type	PT 1/4	3/2	Air	0~9 kgf/cm ²	-0~+60℃	564 g
ACT-310-02	Hand return type	PT 1/4	3/2	Air	0~9 kgf/cm ²	-0~+60℃	282 g
ACT-311-02	Hand return type	PT 1/4	3/2	Air	0~9 kgf/cm ²	-0~+60℃	555 g
ACT-312-02	Hand return type	PT 1/4	3/2	Air	0~9 kgf/cm ²	-0~+60℃	270 g

※ Port thread BSP. NPT. are also available.

ACT series

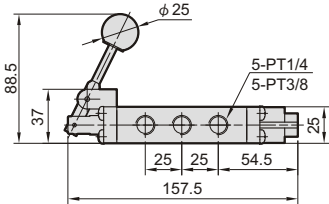
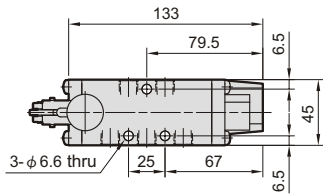
MECHANICAL VALVE



Hand valve

ACT-401

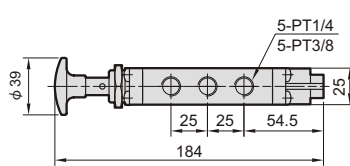
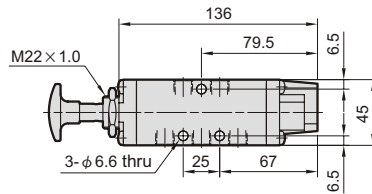
ACT-401-02 / 02-3A ACT-401-02-3A1
 ACT-401-03 / 03-3A ACT-401-03-3A1



Plam valve

ACT-402

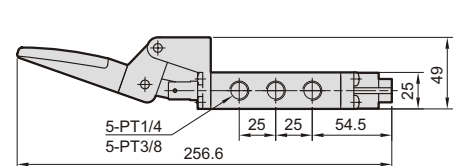
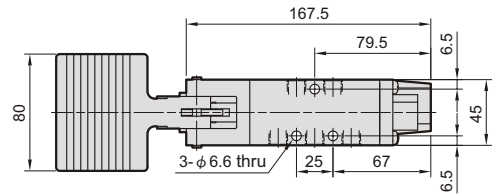
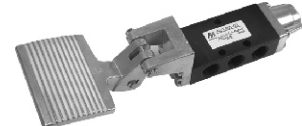
ACT-402-02
 ACT-402-03



Pedal valve

ACT-403

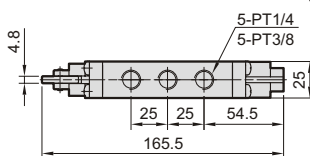
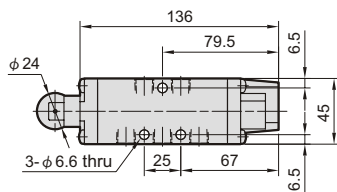
ACT-403-02
 ACT-403-03



Roller plunger valve

ACT-405

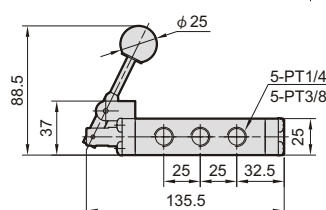
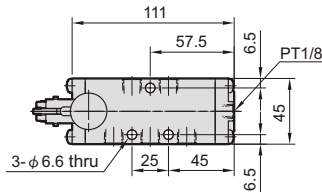
ACT-405-02
 ACT-405-03



Hand valve

ACT-406

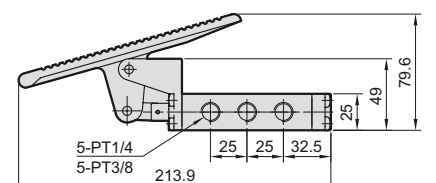
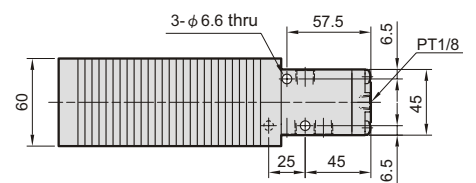
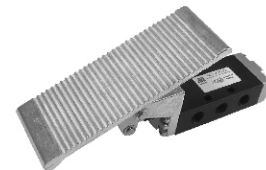
ACT-406-02
 ACT-406-03



Treadle valve

ACT-407

ACT-407-02
 ACT-407-03



ACT series

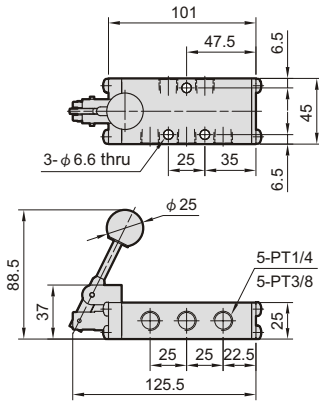
MECHANICAL VALVE



Hand valve

ACT-410

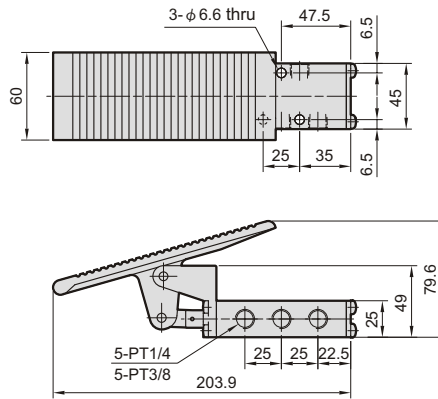
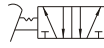
ACT-410-02 / 02-3 / 02-31
ACT-410-03 / 02-3 / 02-31



Treadle valve

ACT-411

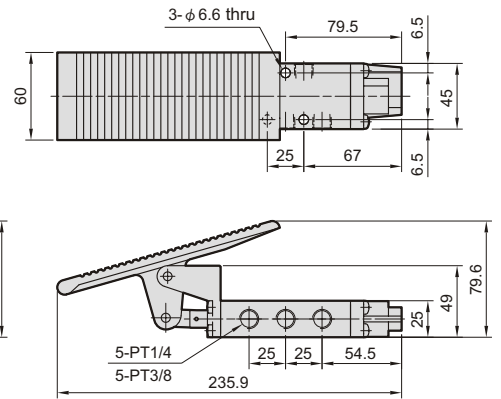
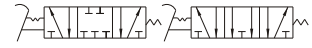
ACT-411-02 / 02-3
ACT-411-03 / 02-3



Treadle valve

ACT-411-A

ACT-411-02-3A / 3A1
ACT-411-03-3A / 3A1



Plam valve

ACT-412

ACT-412-02
ACT-412-03

