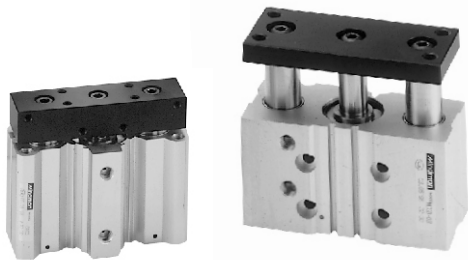


MCG* series Stop / Lift / Push

TWIN-GUIDE CYLINDER

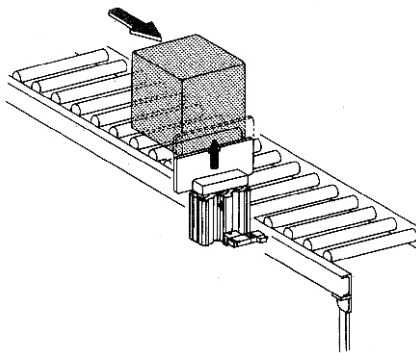


Several uses

- Stopper cylinder
- Lift cylinder
- Pusher cylinder

S-function

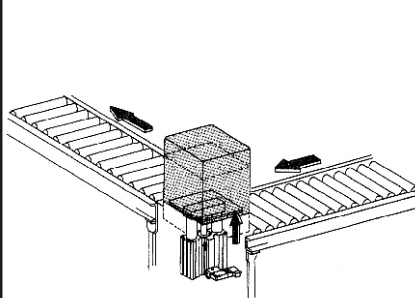
Stopper cylinder



Tough type of stopping a large-load work carrier at a fixed point, and for the straggle of a number of work carriers, etc.

L-function

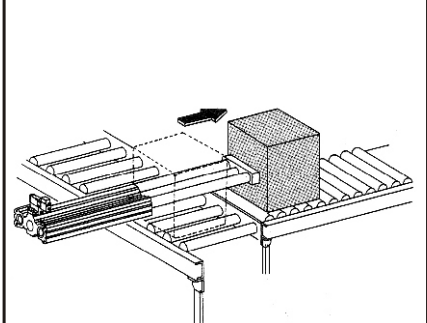
Lift cylinder



Special design which stands the large one-sided load. Lifts the work carrier at a fixed point not changing the posture.

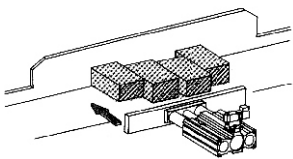
P-function

Pusher cylinder



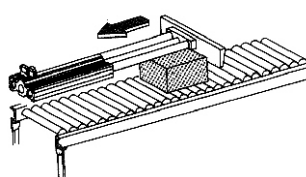
Long strokes available, the highly precise pushing work transfers and places a work carrier and changes the direction.

Multi purpose



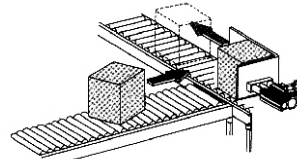
Arranges in line

Arranges the work carriers in line which have the same side face and which have been carried on the free flow line.



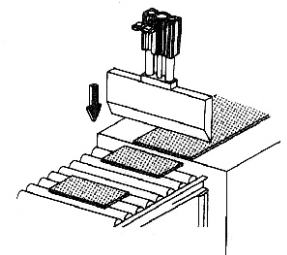
Draws in

Draws in the work carrier for the length of the stroke and slide it on the conveyor line.



Arranges the posture

Arranges the posture of a work carrier and push it out.



Cuts sheets

Can be used as a power source of sheets shearing machine.

MCGJ series

TWIN-GUIDE CYLINDER



Features:

- Make use of air to drive the push and pull of rod can achieve the effect of highly accurate operation.
- Bore sizes $\phi 12\text{mm} \sim \phi 100\text{mm}$ are available for various needs.
- 2 up to 6 reed switch with/without contact point type can be available as per actual need.
- Piston rod is made of wear-resistant stainless or carbon steel.

Specification:

Model	MCGJ			
Model (Up view)				
Acting type	Double acting			
Tube I.D.(mm)	12,16	20,25	32,40	50,63,80,100
Port size Rc(PT)	M5×0.8		PT 1/8	PT 1/4
Medium	Air			
Operating pressure range	1~9.9 kgf/cm ²			
Proof pressure	15 kgf/cm ²			
Ambient temperature	-5~+60°C (No freezing)			
Lubrication	Not required			
Cushion	Without	With rubber cushion pad		
Sensor switch	RCE, RCE1			RCE,RCE1,RCB

Order example:

MCGJ - 12 - 12 - 50 - BSP

MODEL

TUBE I.D.

STROKE

PURPOSE / TYPE OF BEARING

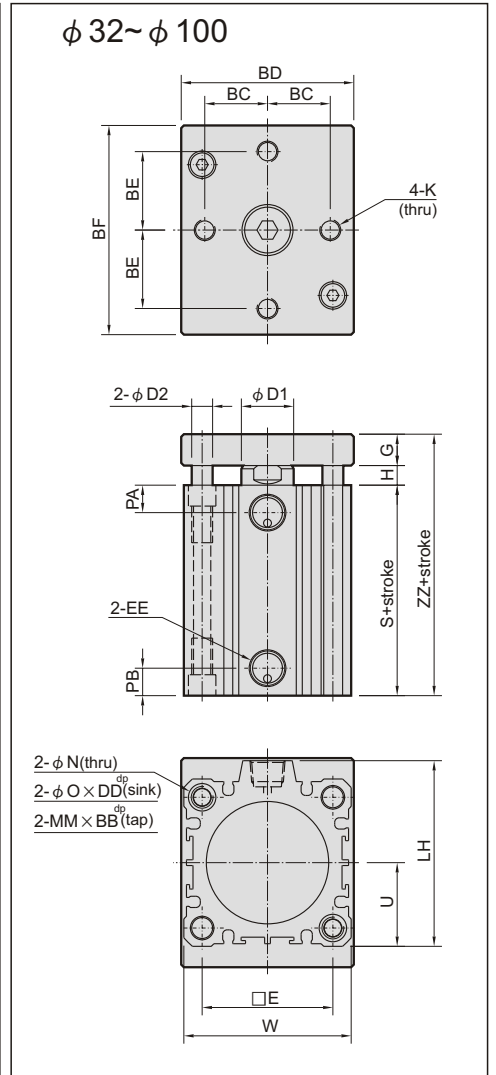
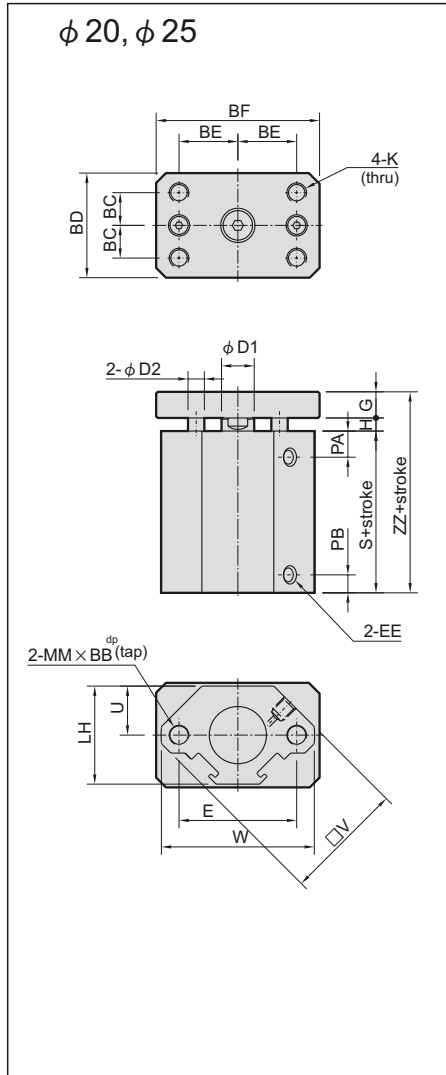
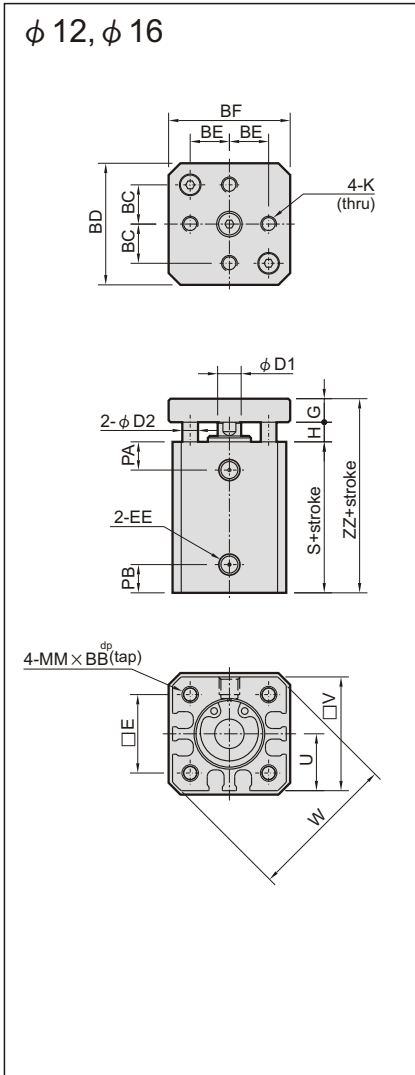
Code	Purpose / Type of bearing
12	Lift / Slide bearing

PORT THREAD
Blank: PT thread
BSP: BSP thread
NPT: NPT thread

Table for standard stroke

Series variety	Bearing type	Tube I.D.	Stroke (mm)															
			5	10	15	20	25	30	35	40	45	50						
MCGJ	Slide bearing	$\phi 12$																
		$\phi 16$																
		$\phi 20$																
		$\phi 25$																
		$\phi 32$																
		$\phi 40$																
		$\phi 50$																
		$\phi 63$																
		$\phi 80$																
		$\phi 100$																

● Please consult us if stroke out of specification.



Code Tube I.D.	BB	BC	BD	BE	BF	D1	D2	DD	E	EE	G	H	K	LH	MM	N	O	PA	PB	S	U	V	W	ZZ
12	10	9	27	9	27	6	4	/	15.5	M5×0.8	6	4.5	M4×0.7	/	M5×0.8	/	/	6.5	6.5	22	12.5	25	32	32.5
16	10	10	31	10	31	6	4	/	20	M5×0.8	6	5	M4×0.7	/	M5×0.8	/	/	7.2	7.2	28.5	14.5	29	38	39.5
20	10	10	32	18	50	10	5	/	36	M5×0.8	8	4	M6×1.0	30	M6×1.0	/	/	8	5.5	29.5	15	37	47	41.5
25	10	12	37	20	54	12	5	/	40	M5×0.8	8	4.5	M6×1.0	35	M6×1.0	/	/	9.5	5.5	32.5	17.5	40	52	45
32	10	16	47	20	56	16	6	7	34	PT 1/8	10	6.5	M6×1.0	49.5	M6×1.0	5.5	9	10.5	8	33	22.5	/	45	49.5
40	10	19	54	25	64	16	6	7	40	PT 1/8	10	6.5	M8×1.25	57	M6×1.0	5.5	9	11	8	39.5	26	/	52	56
50	14	24	66	30	80	20	8	8	50	PT 1/4	12	7.5	M8×1.25	71	M8×1.25	6.6	10.5	10.5	10.5	40.5	32	/	64	60
63	18	31	80	38	94	20	10	10.5	60	PT 1/4	12	7.5	M8×1.25	84	M10×1.5	9	14	14.5	10.5	46	38.5	/	77	65.5
80	22	38	100	40	108	25	12	11	77	PT 1/4	15	15	M10×1.5	104	M12×1.75	11	17.5	20	12	52	49	/	98	82
100	22	46	120	48	128	30	12	11	94	PT 1/4	18	19	M10×1.5	123.5	M12×1.75	11	17.5	22	13	57.5	58.5	/	117	94.5