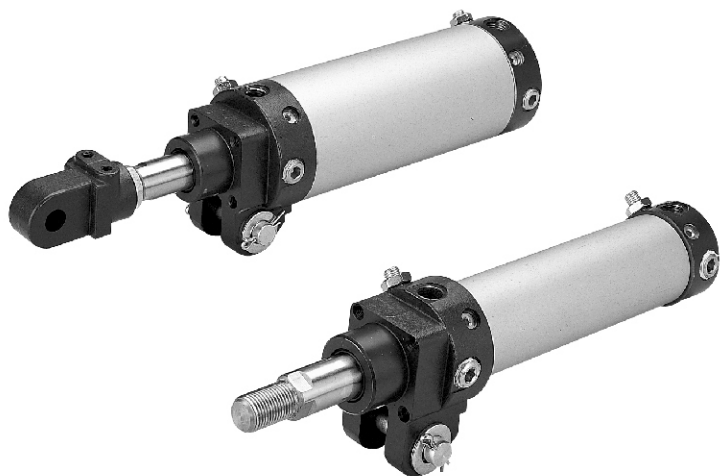


MCKA series $\phi 40$, $\phi 50$, $\phi 63$

CLAMP CYLINDER



Features:

- Using anodized aluminum alloy barrel ensures better abrasion and corrosion proof.
- Use unlubricated bush · seals for durable servicelife.
- Piping position is versatile.
- With cushion at both ends to reduce impact.
- Available with magnetic piston and reed switch.

Specification:

Model	MCKA		
Acting type	Double acting		
Tube I.D. (mm)	40	50	63
Medium	Air		
Operating pressure range	0.5~9.9 kgf/cm ²		
Proof pressure	15 kgf/cm ²		
Temperature range	-5~ +60°C (No freezing)		
Lubrication	Not required		
Available speed range	50~500 mm/sec		
Cushion	With adjustable cushion at both ends		
Sensor switch	RCA		
Sensor switch holder	PN-A40	PN-A50	PN-A63

Order example:

MCKA - 40 - 100(M) - A

MODEL

TUBE I.D.

$\phi 40$, $\phi 50$, $\phi 63$

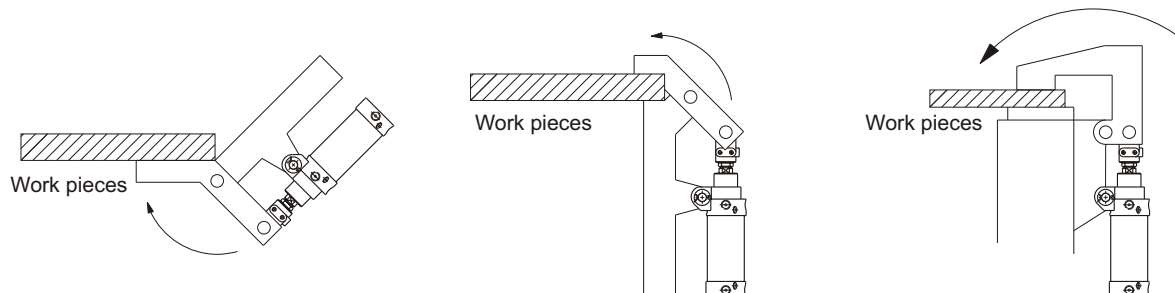
STROKE

50
75
100
125
150

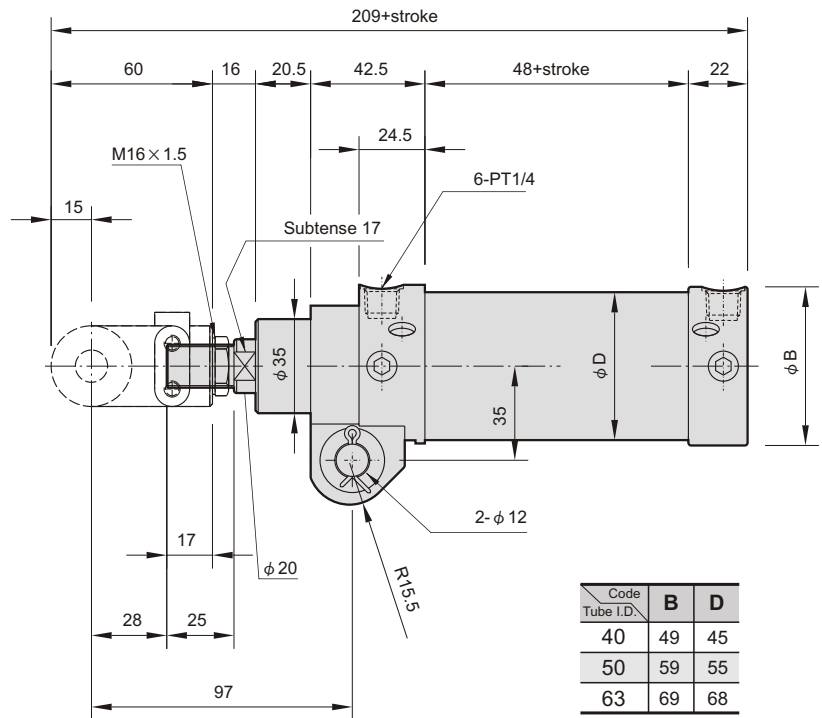
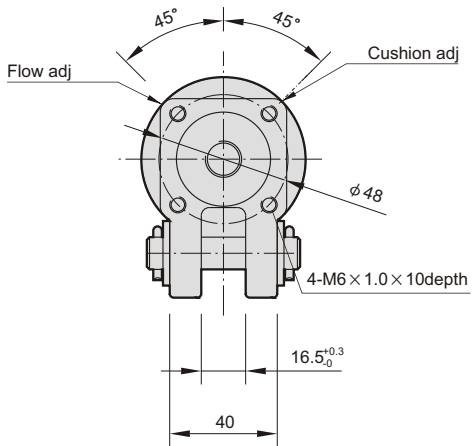
M: Magnet

Blank: With adjustable cushion
A: With flow adjustable

Application examples:

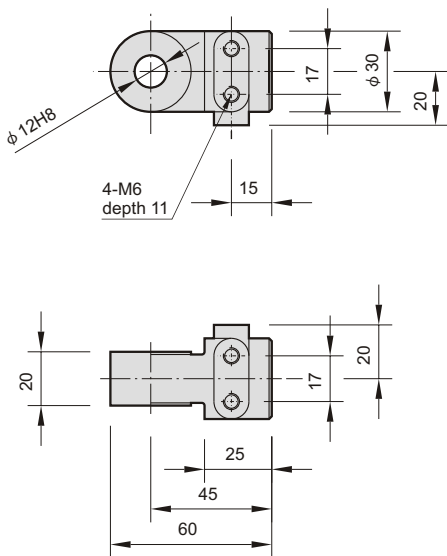


Construction:

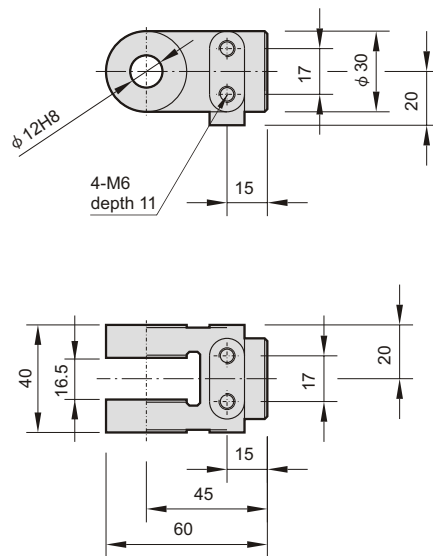


Code Tube I.D.	B	D
40	49	45
50	59	55
63	69	68

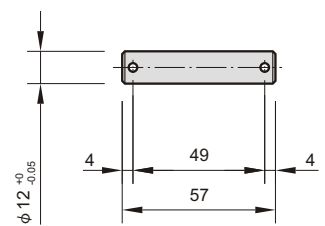
I connector



Y connector



Pin



Split pin: $\phi 1/8" \times 3/4" L$