

Tube Fitting Long Type

Package 10 pcs. in a bag

- This type of tube fitting comes in eight length to suit your applications.
- The tube fitting, provided with a hexagonal hole, can be easily installed using an Allen wrench, even in a narrow or limited space.

Specifications

Fluid admitted	Air, Vacuum	
Service pressure range	0~150psi	0~0.9MPa(0~9.18kgf/cm ²)
Working vacuum	-29.5in.Hg	-750mmHg(10Torr)
Service temperature range	32~140°F	0~60°C

Notes: Use these fitting with air only. Never use them water or other liquids, or with gases other than air.
To screw a fitting down, be sure to tighten with a wrench applied to the hexagonal part of the stud.

Model Designation(Example)

POC 6 - 01 L80
① ② ③ ④

- ① Type
POC; Hexagonal Hole Type Straight
- ② Tube Dia. (φD)
8: φ8
- ③ Thread size (R)

Code	01	02
Size.	R1/8	R1/4

④ Length

	L40	L50	L60	L70	L80	L90	L100	L110
Code	40mm	50mm	60mm	70mm	80mm	90mm	100mm	110mm
Length	1.58in	1.97in	2.36in	2.76in	3.15in	3.55in	3.94in	4.33in

* See the table below for the actual lengths, which are a little larger than the values above.

Detailed Safety Instructions

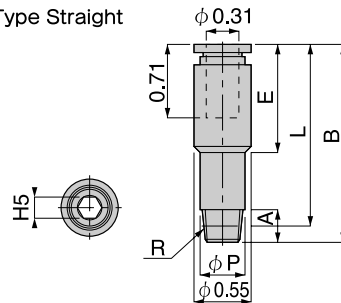
Before using the PISCO device, be sure to read the "Safety Instructions", "Common Safety Instructions for Products Listed in This Manual" on page 3 and "Common Safety Instructions for Quick-Fitting Joint" on pages 4 and 5.

⚠ Caution

- When the fluid admitted is water, do not use the PISCO device unless the application satisfies all the condition required in Specification. Otherwise damage may be caused to the joint body, the tube may come off or leakage may result.

POC
LONG TYPE

Hexagonal Hole Type Straight



Unit : inch

Model	Tube dia. φD(mm)	R	A	B	L	φP	E	Weight (OZ)	Orifice φMM	Eff. a. mm2	CV
POC 8-01-L40	8	R1/8	0.31	1.91	1.75	0.43	1.04	0.99	0.99	5.30	0.29
POC 8-01-L50	8	R1/8	0.31	2.30	2.15	0.43	1.04	1.20	1.20	5.30	0.29
POC 8-01-L60	8	R1/8	0.31	2.70	2.54	0.43	1.04	2.08	2.08	5.30	0.29
POC 8-01-L70	8	R1/8	0.31	3.09	2.93	0.43	1.04	1.58	1.58	5.30	0.29
POC 8-01-L80	8	R1/8	0.31	3.48	3.33	0.43	1.04	1.80	1.80	5.30	0.29
POC 8-01-L90	8	R1/8	0.31	3.88	3.72	0.43	1.04	1.97	1.97	5.30	0.29
POC 8-01-L100	8	R1/8	0.31	4.27	4.11	0.43	1.04	2.18	2.18	5.30	0.29
POC 8-01-L110	8	R1/8	0.31	4.66	4.51	0.43	1.04	2.39	2.39	5.30	0.29
POC 8-02-L50	8	R1/4	0.31	2.30	2.07	-	-	1.65	1.65	5.30	0.29
POC 8-02-L60	8	R1/4	0.43	2.70	2.46	-	-	2.04	2.04	5.30	0.29
POC 8-02-L70	8	R1/4	0.43	3.09	2.85	-	-	2.39	2.39	5.30	0.29
POC 8-02-L80	8	R1/4	0.43	3.48	3.25	-	-	2.75	2.75	5.30	0.29