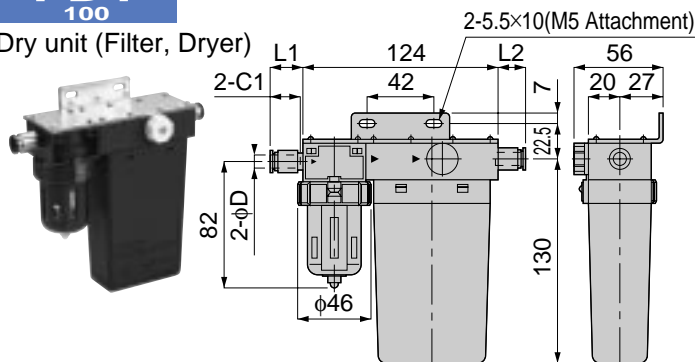


Control Series Fiber Dry

FDT 100

Dry unit (Filter, Dryer)

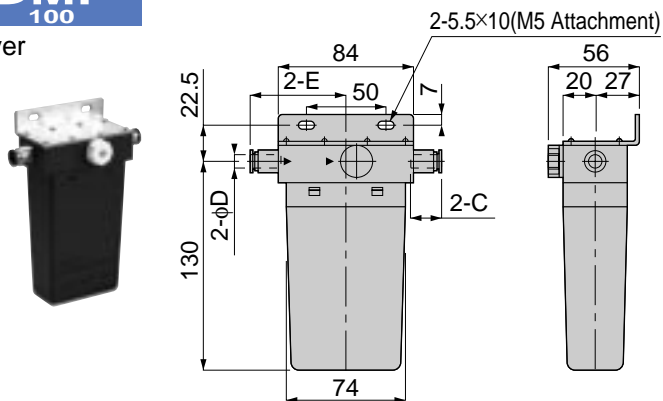


unit:mm

Model	Tube dia. φD	L1	L2	C	Mass (g)
FDT 100-4	4	9.5	6	11	443
FDT 100-4-A					445
FDT 100-6	6	12.5	9	12	443
FDT 100-6-A					445
FDT 100-8	8	20.5	17	18.5	449
FDT 100-8-A					451
FDT 100-10	10	25.5	22	21	459
FDT 100-10-A					461

DMP 100

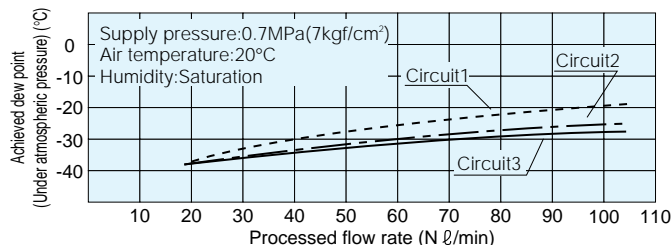
Dryer



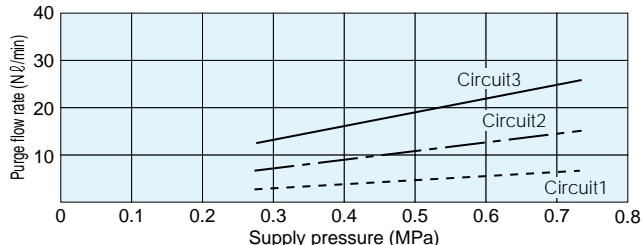
unit:mm

Model	Tube dia. φD	C	E	Mass (g)
DMP 100-4	4	11	48	327
DMP 100-6	6	12	51	327
DMP 100-8	8	18.5	59	340
DMP 100-10	10	21	64	359

FDT, DMP Dehumidification Performance Curve (Example)

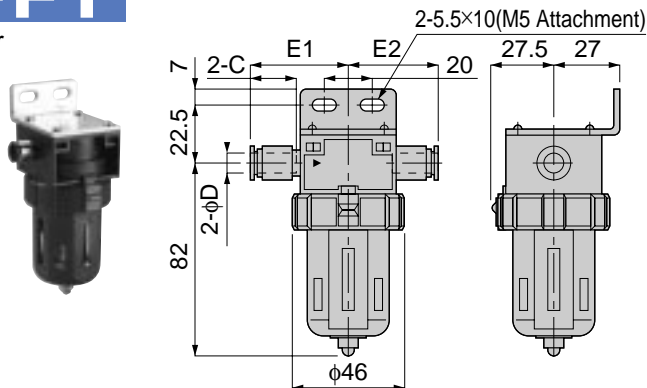


FDT, DMP Purging flow rate curve



FFT

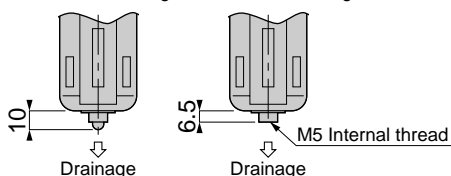
Filter



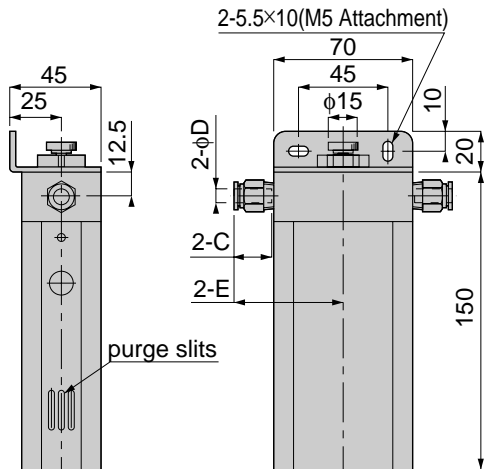
unit:mm

Model	Tube dia. φD	C	E1	E2	Mass (g)
FFT 100-4	4	11	29.5	26	132
FFT 100-4-A					134
FFT 100-6	6	12	32.5	29	132
FFT 100-6-A					134
FFT 100-8	8	18.5	40.5	37	145
FFT 100-8-A					147
FFT 100-10	10	21	45.5	42	164
FFT 100-10-A					166

Manual draining Automatic draining



DMM 100 Dryer

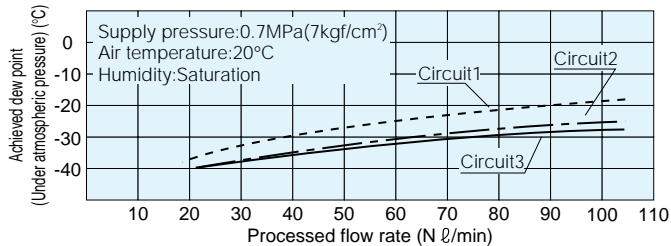


unit:mm

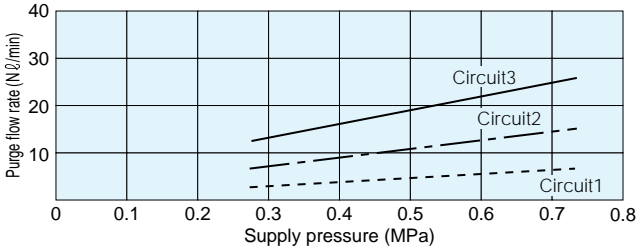
Model	Tube dia. ϕD	C	E	Mass (g)
DMM 100-4	4	15	50	442
DMM 100-6	6	17	53.5	444
DMM 100-8	8	18.5	55.5	440
DMM 100-10	10	21	59	450
DMM 100-00	-	-	-	



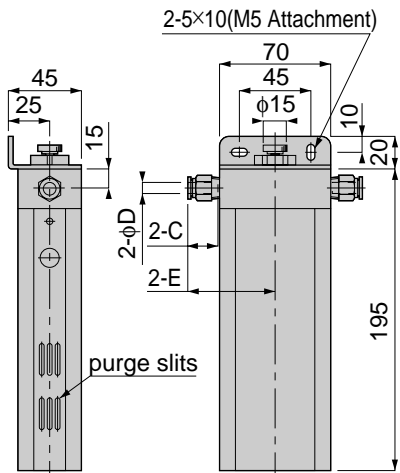
Dehumidification Performance Curve (Example)



Purging flow rate curve



DMM 300 Dryer

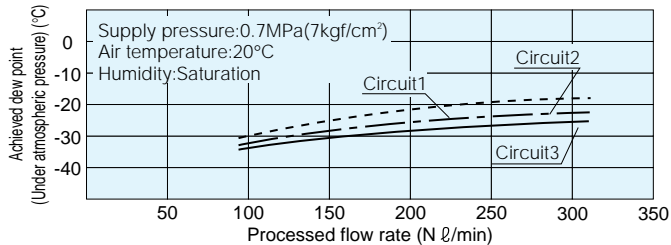


unit:mm

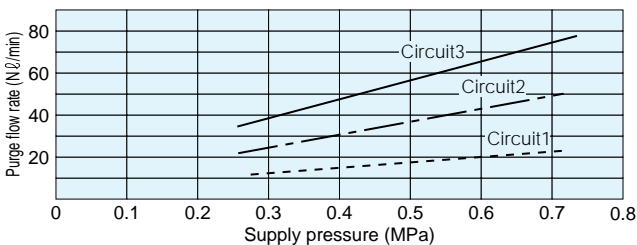
Model	Tube dia. ϕD	C	E	Mass (g)
DMM 300-6	6	17	52	550
DMM 300-8	8	18	52.5	542
DMM 300-10	10	20	58	548
DMM 300-12	12	23.5	60.5	567
DMM 300-16	16	25	68	615
DMM 300-00	-	-	-	



Dehumidification Performance Curve (Example)



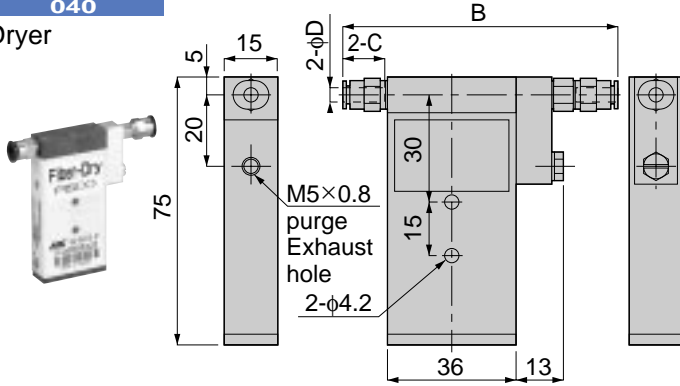
Purging flow rate curve



Control Series Fiber Dry

DMM 040

Dryer

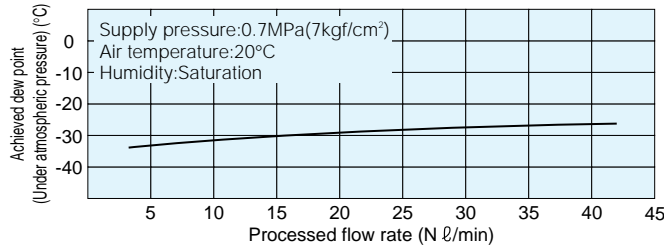


Model	Tube dia. ϕD	B	C	Mass (g)
DMM 040-4-□	4	77.5	11	65
DMM 040-6-□	6	80.5	11.5	68

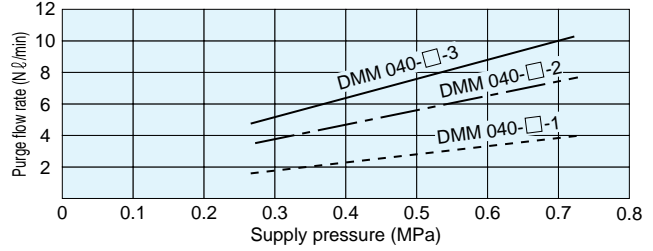
※ DMM-040 does not have purging flow rate adjusting function. Therefore select one from the three types in consultation with the graphs.

Processed flow rate (outlet flow rate)
 Code 1: 16 N ℓ/min.
 2: 30 N ℓ/min.
 3: 40 N ℓ/min.

Dehumidification Performance Curve (Example)

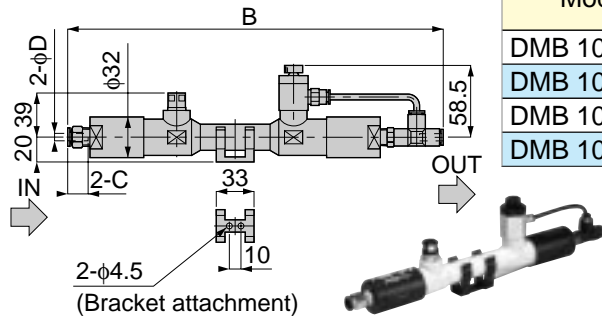


Purging flow rate curve



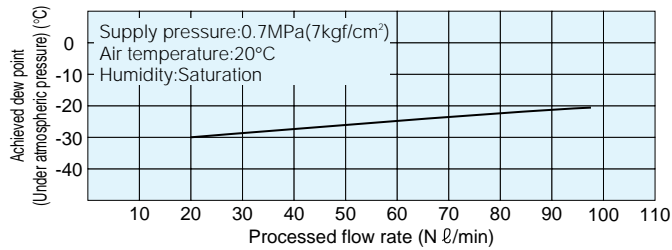
DMB 100

Dryer

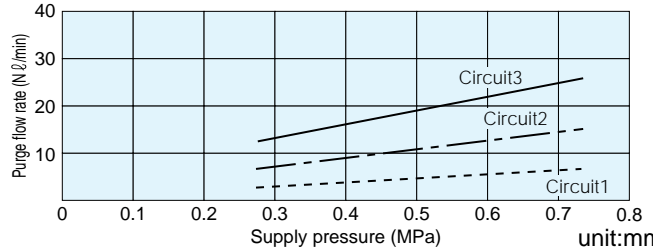


Model	Tube dia. ϕD	B	C	Mass (g)
DMB 100-4	4	294	15	307
DMB 100-6	6	302	17	302
DMB 100-8	8	307	18	316
DMB 100-10	10	321	21	333

Dehumidification Performance Curve (Example)

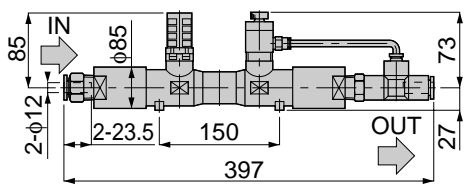


Purging flow rate curve



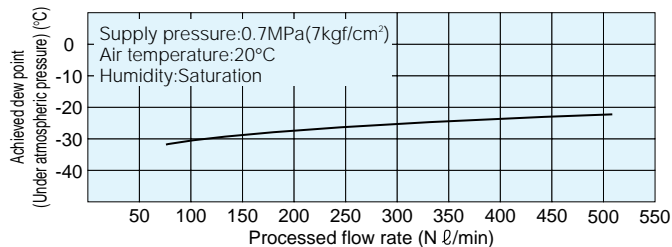
DMB 500

Dryer

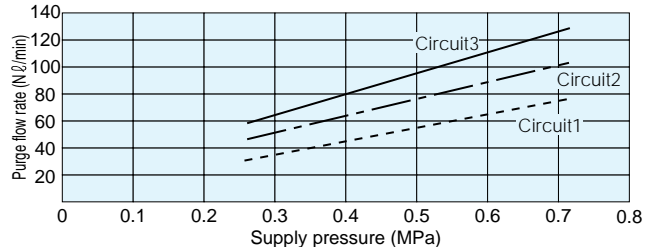


Model	Mass (g)
DMB 500-12	846

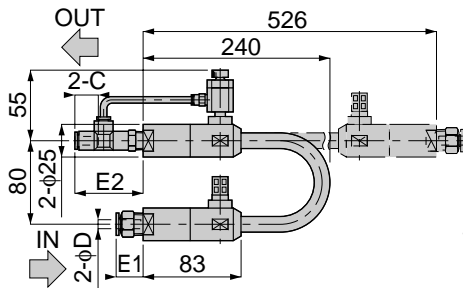
Dehumidification Performance Curve (Example)



Purging flow rate curve



DMF
040
Dryer

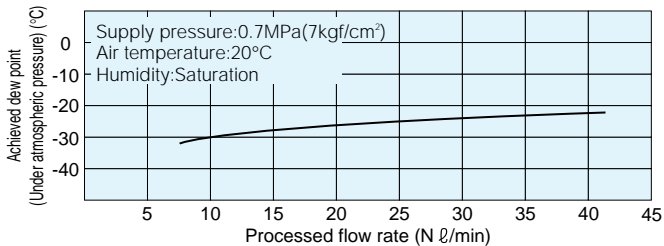


unit:mm

Model	Tube dia. φD	C	E1	E2	Mass (g)
DMF 040-4	4	15	15	37.5	213
DMF 040-6	6	17	18.5	43	208
DMF 040-8	8	18	20.5	47	222



Dehumidification Performance Curve (Example)



Purging flow rate curve

