

Cake handling suction cups, series VSD



Characteristics :

Models	Deflection mm	Max. vacuum %
VSD 25 SI	24	90
VSD 32 SI	25	90
VSD 38 SI	21	15

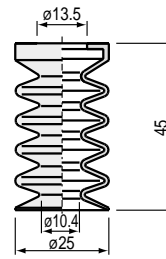
Material :

Translucent silicone: **compatible with food industry** and resistance to **high temperatures**.

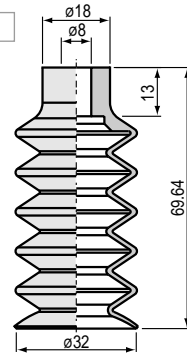
Insert :

VSD 25 SI : No insert.
 VSD 32 SI : Inserts group 2 page 75.
 VSD 38 SI : No insert.

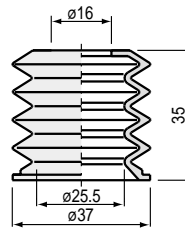
VSD 25 SI



VSD 32 SI



VSD 38 SI



Cake handling suction cups, series VSP



Characteristics :

Model	Deflection mm	Max. vacuum %
VSP 2258 SIT5	5	20

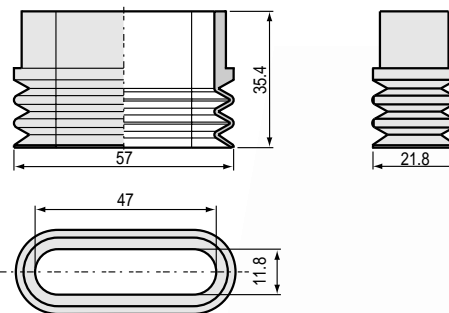
Material:

Translucent silicone
 50 shores (SIT5)

Insert :

No insert available.

VSP 2258 SIT5



Characteristics :

Model	Deflection mm	Max. vacuum %
VSP 3856 SIT5	22	15

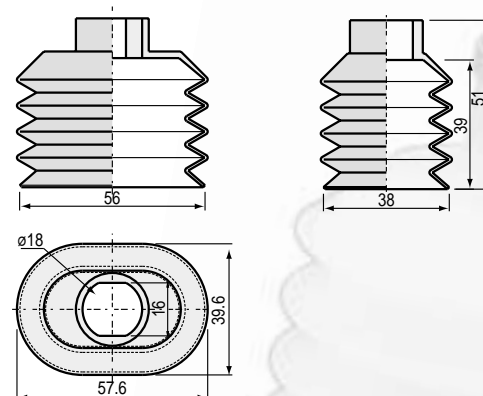
Material :

Translucent silicone
 50 shores (SIT5)

Insert :

IM14VSP3856

VSP 3856 SIT5



Dimensions and characteristics may be modified without notice.