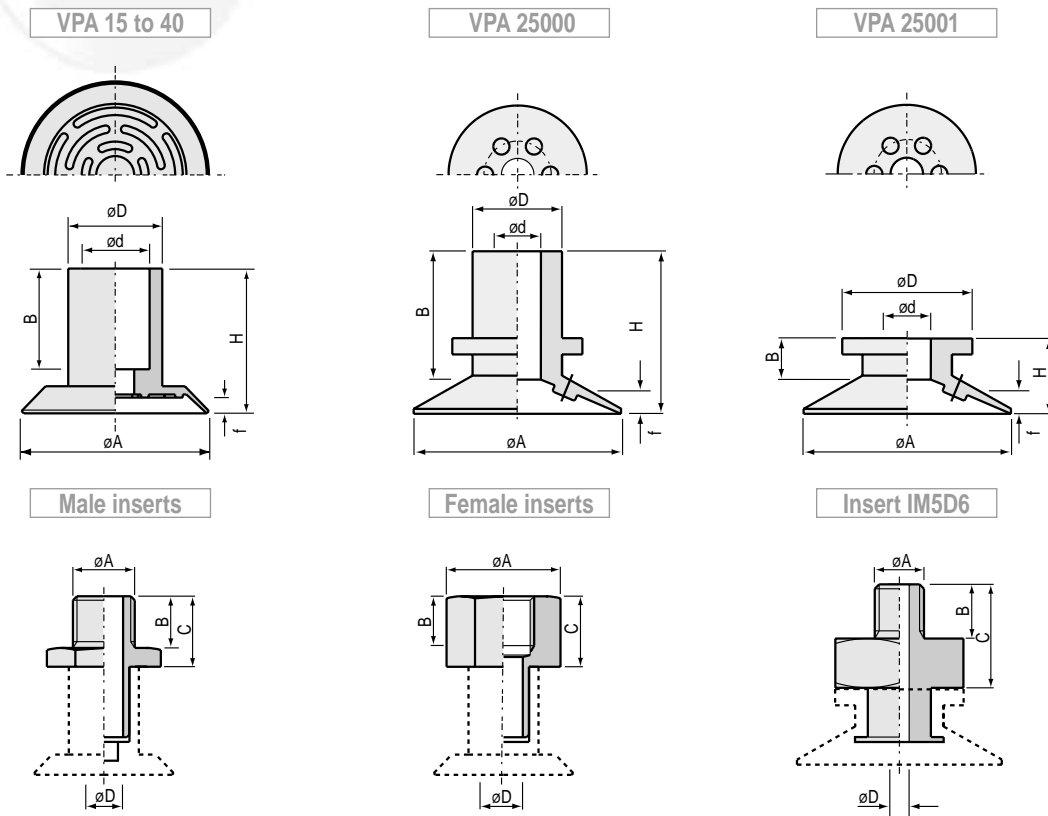


Paper handling suction cups, Series VPA



Applications:

Suction cups for paper, in series VPA, are made of **natural rubber (NR)** to ensure resistance to abrasion caused by paper and cardboard or of silicone (SIT5) for compatibility with **food**.

Characteristics:

Models	ø A mm	H mm	ø d mm	ø D mm	f mm	B mm	Fr* N	Male inserts				Female inserts		Materials	
								1/8 Gas	1/4 Gas	M5	M6	1/8 Gas	1/4 Gas	SIT5	NR
VPA 15	15	9.8	5	9	0.8	7	4	IM11A				IF10A		°	°
VPA 20	20	10.3	5	10	1.3	7	6	IM11A				IF10A			°
VPA 25	25	10.8	5	10	1.8	7	9	IM11A				IF10A			°
VPA 30	30	23	11	15	2.5	16	13		IM51SP143				IF50SP143	°	°
VPA 35 A	35	23	11	15	2.5	16	17		IM51SP143				IF50SP143		°
VPA 40	40	20	8	16	2	15	29		IM41				IF40		°
VPA 25000	25.5	20	5.8	11	3	15.8	10							°	°
VPA 25001	25.5	9.5	5.8	16	3	5.1	10	IM11ASP082		IM5D6		IF10ASP082		°	°

Fr* (in newtons): Actual practical force of the suction cup with a 90% vacuum including a safety factor of 2

Specifications:

MALE INSERTS					FEMALE INSERTS				
	ø A	B	C	ø D		ø A	B	C	ø D
	mm	mm	mm	mm		mm	mm	mm	mm
IM11A	1/8G	7.5	13.5	3.5	IF10A	1/8G	8	12	3.5
IM21	M5	4.5	9.5	2.5	IF50SP143	1/4G	10	15	8
IM22	M6	5	10	3.5	IF40	1/4G	10	15	4.4
IM51SP143	1/4G	11	17	8	IF10ASP082	1/8G	8	12	3.5
IM41	1/4G	11	15	4.4					
IM11ASP082	1/8G	7.5	13.5	3.5					
IM5D6	M5	5.5	10	2					

Materials:

NR: Natural rubber

SIT5: Translucent silicone

Dimensions and characteristics may be modified without notice.

10