

Electric control for venturis GVP



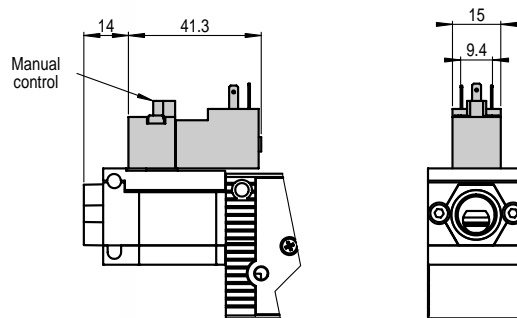
Characteristics:

Ref	E1	E2	E3	E4	E5	E6
Voltage	24 V	220 V	24 V	110 V	48 V	24 V
Current	DC	AC	AC	AC	AC	DC
Power	1W	2,5VA	2,5VA	2,5VA	2,5WA	2W
Function	NC	NC	NC	NC	NC	NO
References	09503002	09503003	09503004	09503047	09503048	09503059

Specifications:

Protection	IP 65 with connector 09503005
Connector	Not supplied with control unit (09503005)
Anti-interference connector	Option GVO CA, see page 29
Manual control*	Pulse type
Interface seal under control unit	2 x O-ring, dia. 1.5 x 1 NBR not supplied with control unit (ref. 09505001)

(*) except E6.



3

Pneumatic Control for Venturis GVP



Applications:

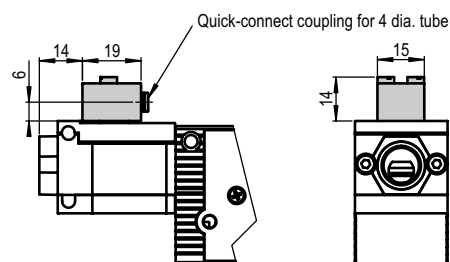
The pneumatic control unit is useful in the context of utilization in explosion-proof conditions.

It is also useful for the simultaneous control of a number of venturis actuated by pneumatic logic.

Specifications:

Integrated coupling	For calibrated tube, 4 mm dia.
Supply pressure	2 to 6 bars
Control pressure	Equal to or greater than inlet pressure
Manual control	On request
Interface seal under control unit	2 x O-ring, dia. 1.5 x 1 NBR not supplied with control unit (ref. 09505001)

References: 09502001



Electric control for micro-venturis GVA



Characteristics:

Ref.	E1	E2	E3	E4	E6*
Voltage	24 V	220 V	24 V	110 V	24 V
Current	DC	AC	AC	AC	DC
Power	2.3W	2.5VA	2.5VA	2.5VA	2W
Function	NC	NC	NC	NC	NO
References	09503073	09503077	09503076	09503075	09503059

Specifications:

Protection	IP 65 with connector 09503005
Connector	Not supplied with control unit (09503005)
Anti-interference connector	Option GVO CA, see page 29
Manual control*	Pulse type
Interface seal under control unit	2 x O-ring, dia. 1.5 x 1 NBR not supplied with control unit (ref. 09505001)

(*) except E6.

