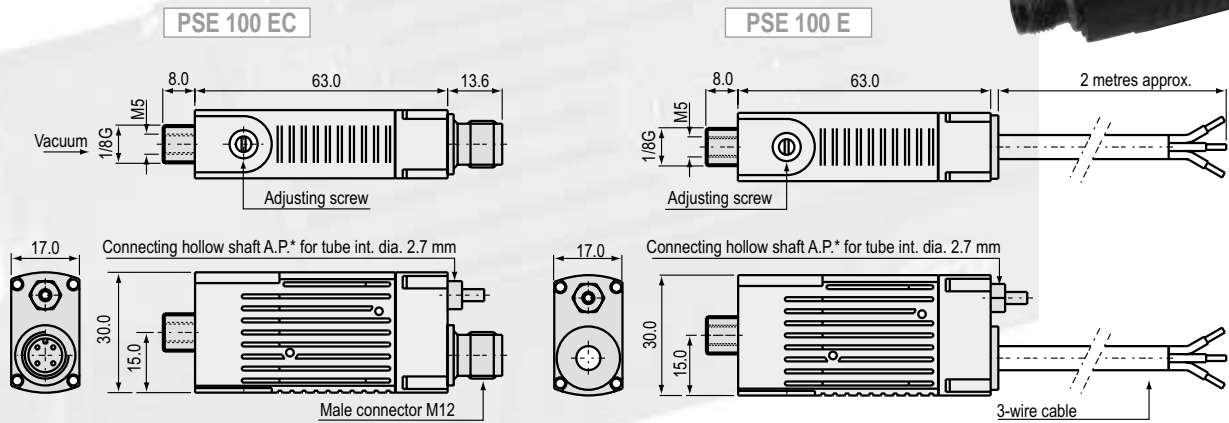


Vacuum switch, PSE100E

On request others models available

Electric vacuum switch, series PSE 100 E



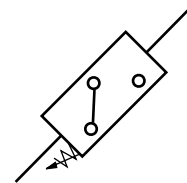
* A.P.: Atmospheric pressure

Applications:

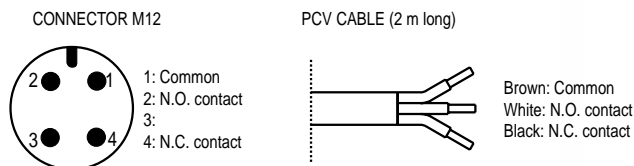
The vacuum switch with **electric** output, in series PSE 100 E, allows the vacuum level in the system to be checked by means of a **patented** system. It can be adapted to all **electric automatic controller** systems. The choice between the N.O. and N.C. function is made when wiring.

Specifications:

Models	Two versions: PSE 100 E and PSE 100 EC
Compatible fluids	All non-corrosive gases
Switching capacity	250 V - 5 A with cable 125 V - 3 A with connector M12
Electrical connection	Female connector M12 or 3-wire PVC cable, 2 m long
Adjusting range	-300 mb to -830 mb
Accuracy	3%
Hysteresis	125 mb
Repeatability	< 3% of whole range
Maximum work rate	30 cycles per minute
Authorized overpressure	2 bars (destructive at 5 bars)
Mechanical endurance	5 x 10 ⁶ operations
Materials	Body: Polyacetal - vacuum sensor: nitrile diaphragm
Protection class	IP 54 with hollow shaft connected - IP 40 without hollow shaft
Weight	165 g: PSE 100 E and 37 g: PSE 100 EC
Temperature	-10°C to +80°C



Electrical connection:

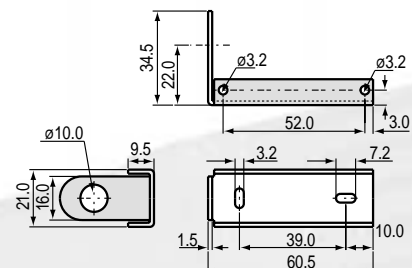


Connection for version EC (M12):

Straight PVC cable, 2 metres: ref. CD M12
Elbowed PVC cable, 2 metres: ref. CC M12
Elbowed PVC cable, 2 metres with LED: ref. CC M12L
See page 32.

Mounting of vacuum switch:

Clip reference **PSE.F**.



PSE 100 E ————— **1**

1: Version	
-	PVC cable, 2 metres long
C	Connector M12

Dimensions and characteristics may be modified without notice.