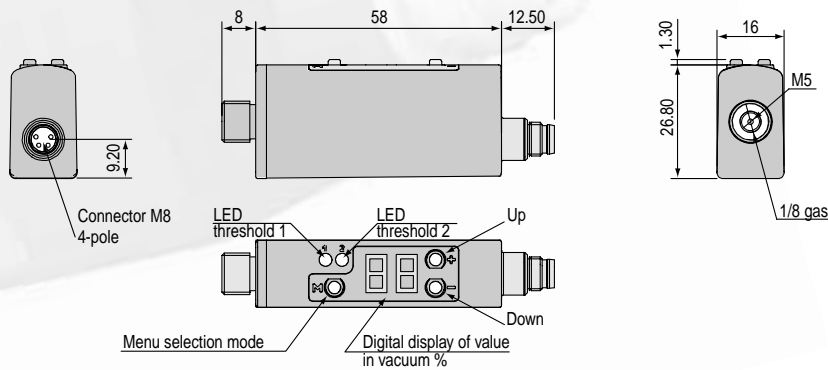


Display-type vacuum switch, series PSA 100 C



Applications:

The electronic vacuum switch in series PSA100C is the most efficient CO-VAL pressure measuring component.

It allows easy installation on all machines and robots, etc., thanks to its compact lightweight design.

In addition, it provides display after vacuum level with two contact outputs and independent adjustments.

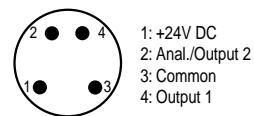
Every step has been taken to facilitate its use : programming on front panel, adjustment by threshold and the hysteresis of each output can be adjusted independently of the others.

Characteristics:

Characteristics	Measuring range in bars	Overpressure in bar
Model PSA 100 C	0 / -1	4

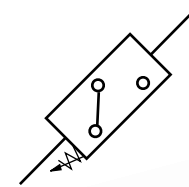
Electrical connection:

CONNECTOR M8



Specifications:

Compatible fluids	All non-corrosive gases, filtered, non-lubricated air
Power supply	18-30 VDC. pole changing protection
Current draw	< 100 mA
Transistor output PNP	125 mA 24 V DC, programmable N.O. or N.C.
Output indicators	LED
Output 1	Red LED
Output 2	Green LED
Programming	Key buttons
Display	In vacuum % (2-digit, 7-segment red LED, 8.5 mm)
Electromagnetic compliance	Industrial standard, class B
Body material	Polyacetal
Protection	IP 65
Electrical connection	M8-connector
Pneumatic connection	1/8 G or M5
Impact strength	10 G XYZ
Resolution display	1 %
Resolution setting	



- 2 configurable contact outputs
- Adjustable hysteresis
- M8 connector
- IP65
- LED display

Accessories:

Straight or elbowed connector, see page 32.

Fitting on venturi, series GVP : GVO PSA 100 C, see page 28.

PSA 1 C

1: Range	
100	0 / -1