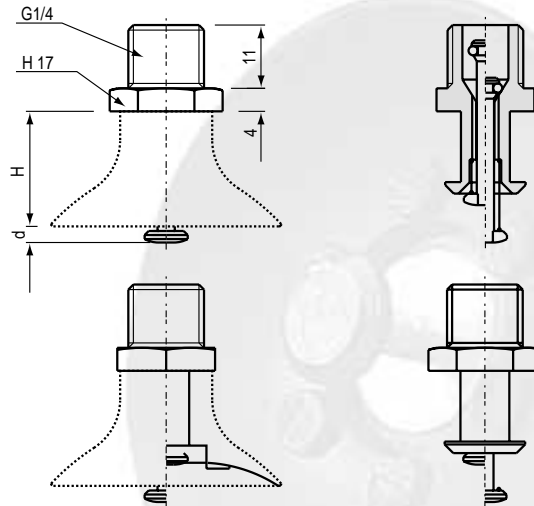
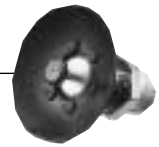


Mechanical feelers, series PMG2



► Applications:

The mechanical feelers in series PMG2 are fitted on flat suction cups in series VP with diameters of between 30 and 60 mm of all materials (suction cups in group 2).

The mechanical feeler protrudes on the suction cup and blanks off the route of the vacuum.

The feeler is actuated by contact with the object and opens, so freeing the route of the vacuum.

► Characteristics:

Suction cups	VP 30	VP 35	VP 40	VP 50	VP 60
Height d*	3.9	2.9	2.9	0.9	0.9
Height H*	19	20	20	22	22

* Dimensions in mm

► Specifications:

Body	Nickel-plated brass
Spring	Stainless steel
Feeler	DELFIN brass

► Advantages:

- Simple installation and operation
- Very good sealing for non-covered suction cups.
- Little risk of marking of very fragile objects as the feeler has a dished face.

► Drawbacks:

- Failure to operate in the case of feelers actuated on a suction cup that is not completely covered by the part to be gripped.

► Leak rate:

No leakage if all the suction cups are correctly positioned. This results in substantial saving of power on the vacuum source i.e. venturis, vacuum pumps...

► Accessories:

Fitting on spring or ball joint systems, see pages 90 to 92.

