

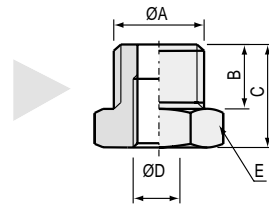
Inserts for standard suction cups

Male inserts, series IM



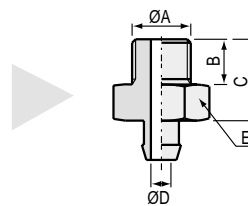
Adapters for socket head screws:

Models	∅ A	B	C	∅ D	E		Page
IM18 M5F	1/8 G	6	10.5	M5	13		77
IM18 M6F(°)	1/8 G	6	10.5	M6	13		75/78
IM10 M6F(°)	M10	7	10.5	M6	13		78
IM14 M6F(°)	1/4 G	8	13	M6	17		75/78
IM14 F18	1/4 G	8	13	1/8 G	17		76
IM12 F18	1/2 G	9	14	1/8 G	19		76
IM38 F18	3/8 G	10	15.5	1/8 G	24		76



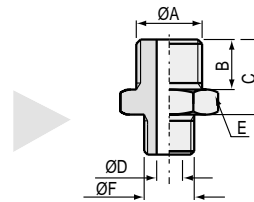
With hollow shafts:

Models	∅ A	B	C	∅ D	E		Page
IM 11 A (°)	1/8 G	7.5	13.5	3.5	14		74
IM 21 (°°)(°°°)	M5	4.5	9.5	2.5	7		74
IM 22	M6	5	10	3.5	7		74
IM 23	10-32	4.5	9.5	2.5	7		74
IM 5 VPG 2	M5	4.5	8	1	8		77
IM 5 VPG 5	M5	4.5	8	2.5	8		77
IM 20	M3	3	5	1.2	5		74
IMC 14	1/4 G	10	31	7	17		75



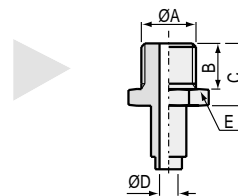
Threaded:

Model	∅ A	B	C	∅ D	∅ E	F	Page
IM14M10M	1/4 G	10	15	5	17	M10*	79



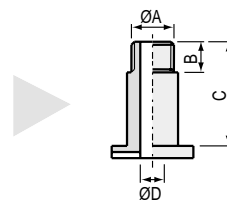
Riveted:

Models	∅ A	B	C	∅ D	∅ E		Page
IM 41 (°°°)	1/4G	11	15	4,4	17		75
IM 51	1/4G	11	17	8	21		76
IM 52	3/8G	11	17	8	21		76



Socket head screws:

Models	∅ A	B	C	∅ D			Page
IM 50	M5	5	16	2.8			75
IM 5 M 15	M5	5	6	2.5			77
IM 5 M 20	M5	4	7	2.5			77
IM 60 (°°°)	M6	7	18	3.5			75
IM 68	M8	8	19	5.2			75
IM 6 M 25	M6	5	10	3.5			78
IM 6 M 50	M6	6	11	3.5			78
IM 80	1/8 G	8	26	6			76
IM 85	M10**	8	26	6			76



(*) M10, pitch 125

(**) M10, pitch 150

(°) Available in version NPT

(°°) Possibility of incorporating a calibrated diameter jet to reduce leaks in case of use with multiple suction cup tank (0.45 mm diameter, standard, in stock)

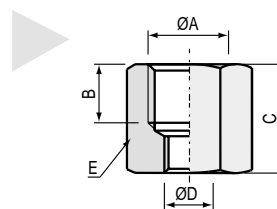
(°°°) Available in stainless steel

Female inserts, series IF



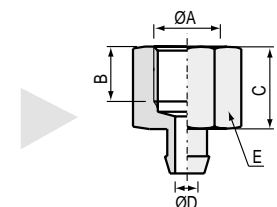
► Adapter for socket head screws:

Models	ø A	B	C	ø D	E		Page
IF18 M5F	1/8G	7.5	13	M5	13		77
IF18 M6F(°)	1/8G	7.5	13	M6	13		75/78
IF14 M6F(°)	1/4G	11	17	M6	17		75/78
IF14 F18	1/4G	9	19	1/8G	17		76



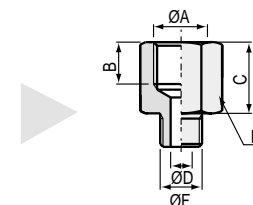
► With hollow shaft:

Model	ø A	B	C	ø D	E		Page
IF 10 A(°)	1/8G	8	12	3.5	14		74



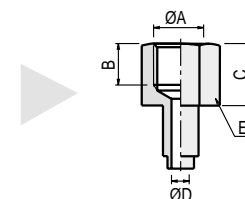
► Threaded:

Model	ø A	B	C	ø D	E	ø F	Page
IF 14 M10 M	1/4G	10	17	5	17	M10*	79



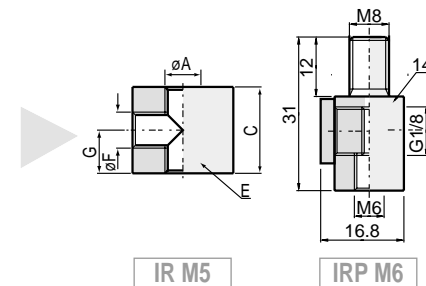
► Riveted:

Models	ø A	B	C	ø D	E		Page
IF 40 (°°°)	1/4G	10	15	4.4	17		75
IF 50	1/4G	10	15	8	21		76



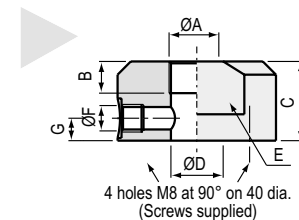
► With radial outlet:

Models	ø A	B	C	ø D	E	ø F	G	Page
IR M5	M5	-	12	-	14X8	M5	6	
IRP M6								74



► For suction cups VPG 120 to 200 and VSAG 110 and 150:

Models	ø A	B	C	ø D	E	Dia.F	G	Page
IF 12 120(°°)	1/2G	24	30	ø 19	ø 60	1/8G	8,7	79
IFS 12 120(°°)	1/2G	13	13	-	ø 65	-	-	79



4 holes M8 at 90° on 40 dia.
(Screws supplied)

(*) M10, pitch 125

(**) Hollow shaft outlet for pipe connection

(°) Available in version NPT

(°°) Insert comprising four M8 holes for the attachment of suction cups VPG 120 to 200 and VSAG 110 and 150

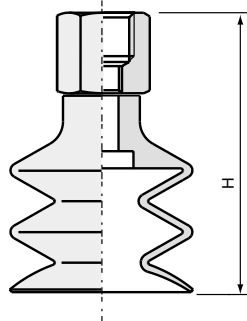
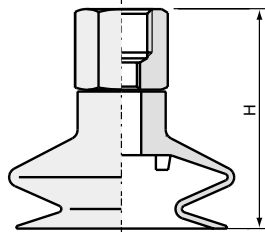
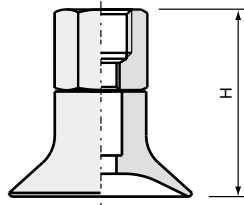
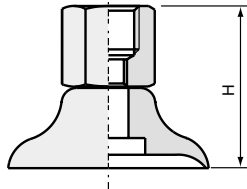
(°°°) Available in stainless steel

Dimensions and characteristics may be modified without notice.

Table of sizes: Suction cups - Female inserts



MODELS
1/8 FEMALE (H)
1/4 FEMALE (H)
EDGE 1/4 FEMALE (H)
IF 12 120 (H)
IFS 12 120 (H)

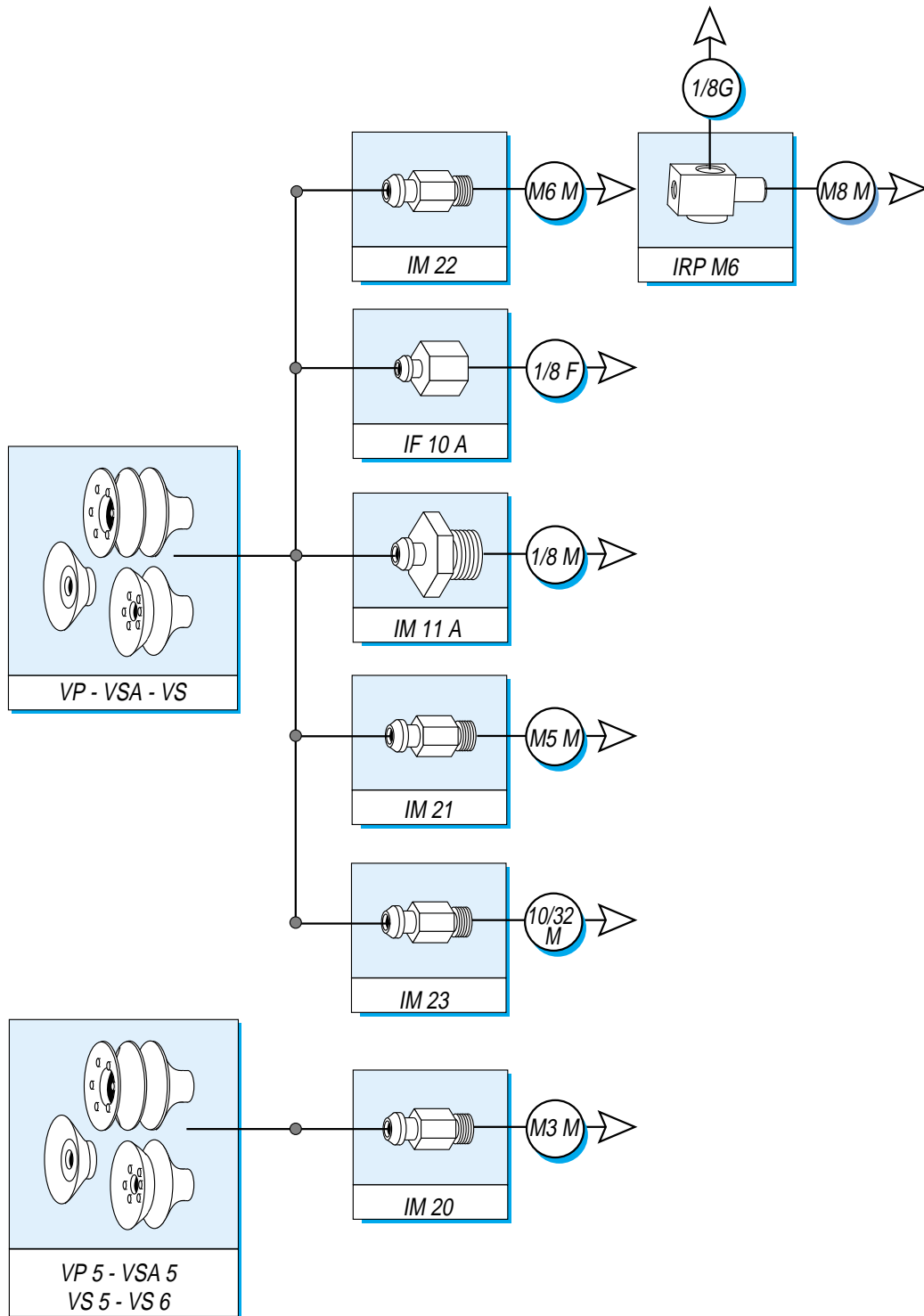


VPG 15	21				
VPG 20	23				
VPG 25	27	31			
VPG 30	25	29			
VPG 35	27	31			
VPG 40	27	31			
VPG 50	28	32			
VPG 60		33			
VPG 80		35			
VPG 95		36			
VPG 120				54.5	37.5
VPG 150				60.5	43.5
VPG 200				65.5	48.5
VP 5	21				
VP 8	22				
VP 10	22.5				
VP 15	23				
VP 20	23.5				
VP 25	24				
VP 30	32	36	34		
VP 35	33	37	35		
VP 40	33	37	35		
VP 50	35	39	37		
VP 60	35	39	37		
VP 75		51	47		
VP 95		57	53		
VSA 5	23				
VSA 11	28				
VSA 14	28				
VSA 16	31				
VSA 20	28				
VSA 22	31				
VSA 25	35				
VSA 33	40.5	44.5	42.5		
VSA 43	41	45	43		
VSA 53	47	51	49		
VSA 63	47	51	49		
VSA 78		66	62		
VSAG 110				85	68
VSAG 150				105.5	88.5
VS 5	25.5				
VS 6	25.2				
VS 7	26				
VS 9	27				
VS 12	33				
VS 14	35				
VSP 14	31				
VS 18	35				
VS 20	35				
VS 25	46				
VS 32	50.5	54.5	52.5		
VS 42	59	63	61		
VS 52	62	66	64		
VS 62	68	72	70		
VS 88		106.5	102.5		

Dimensions and characteristics may be modified without notice.

VP - VSA - VS

Diameters from 5 to 25 mm



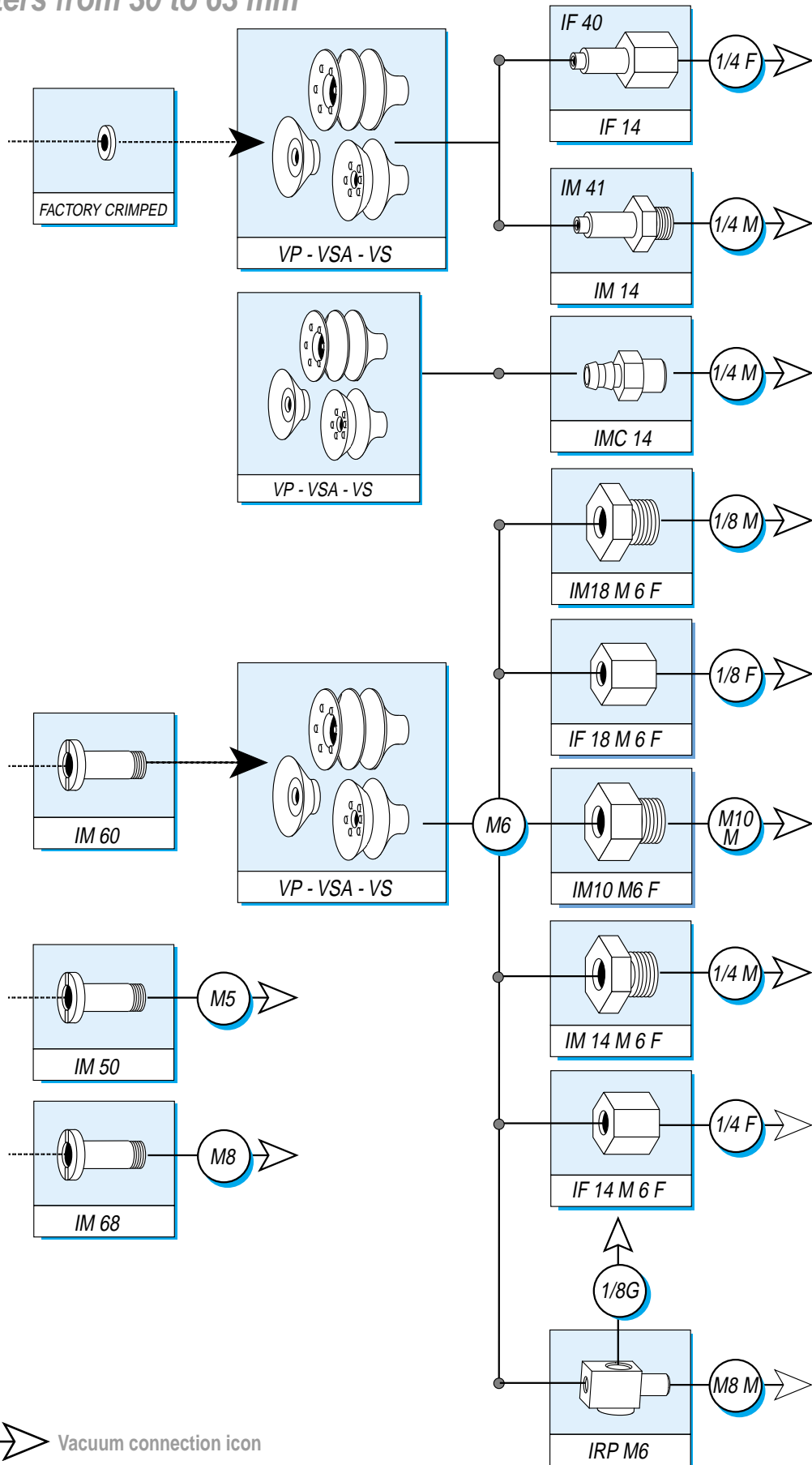
Note: IM21 type inserts (M5 male) with built-in jets are available for these suction cups. Please consult us.

 Vacuum connection icon

Drawings and details of inserts on pages 78 to 81. Ball joints and spring systems on pages 90, 102 and 103.

VP - VSA - VS

Diameters from 30 to 63 mm



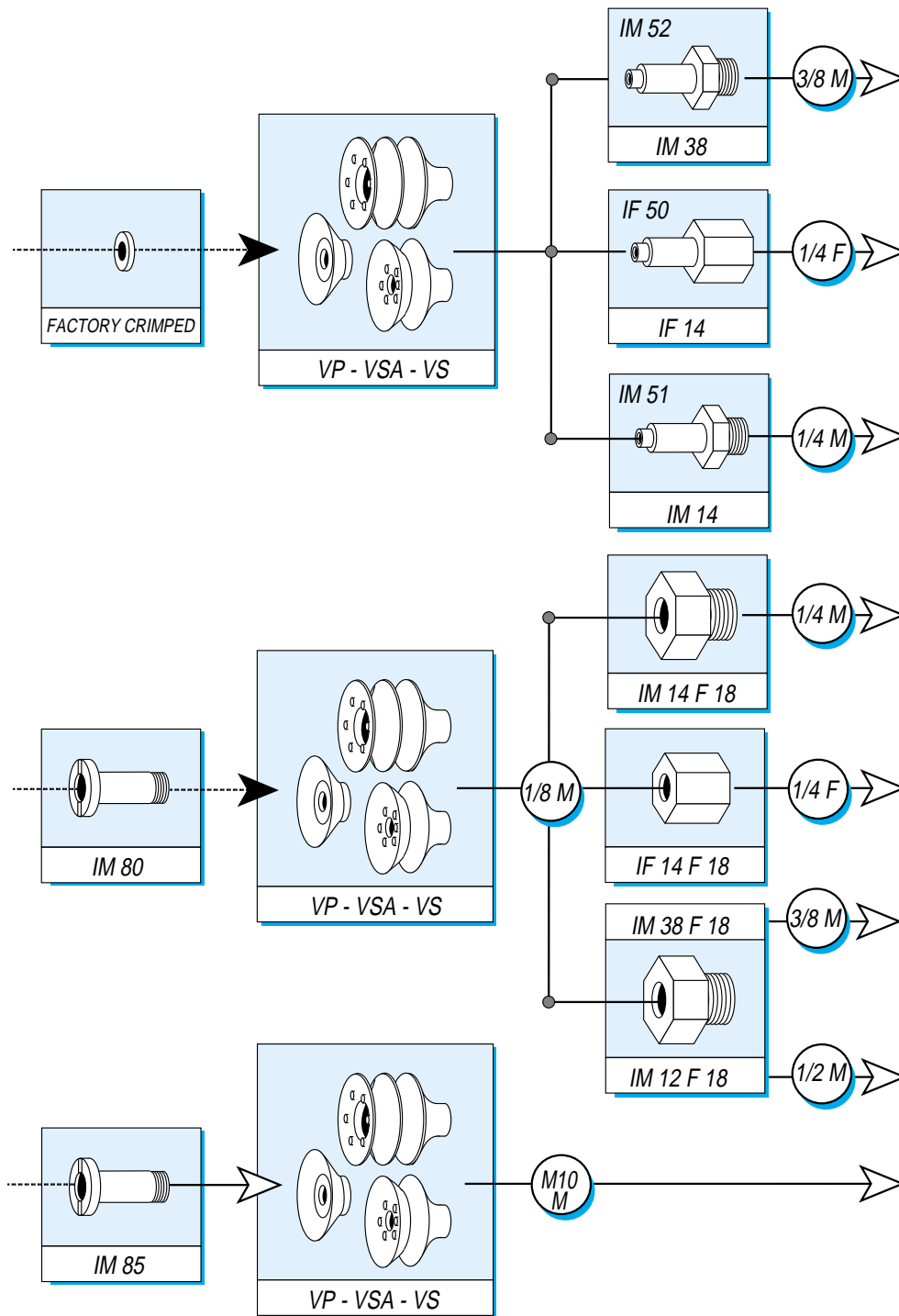
Dimensions and characteristics may be modified without notice.

➤ Vacuum connection icon

Drawings and details of inserts on pages 78 to 81. Ball joints and spring systems on pages 90, 102 and 103.

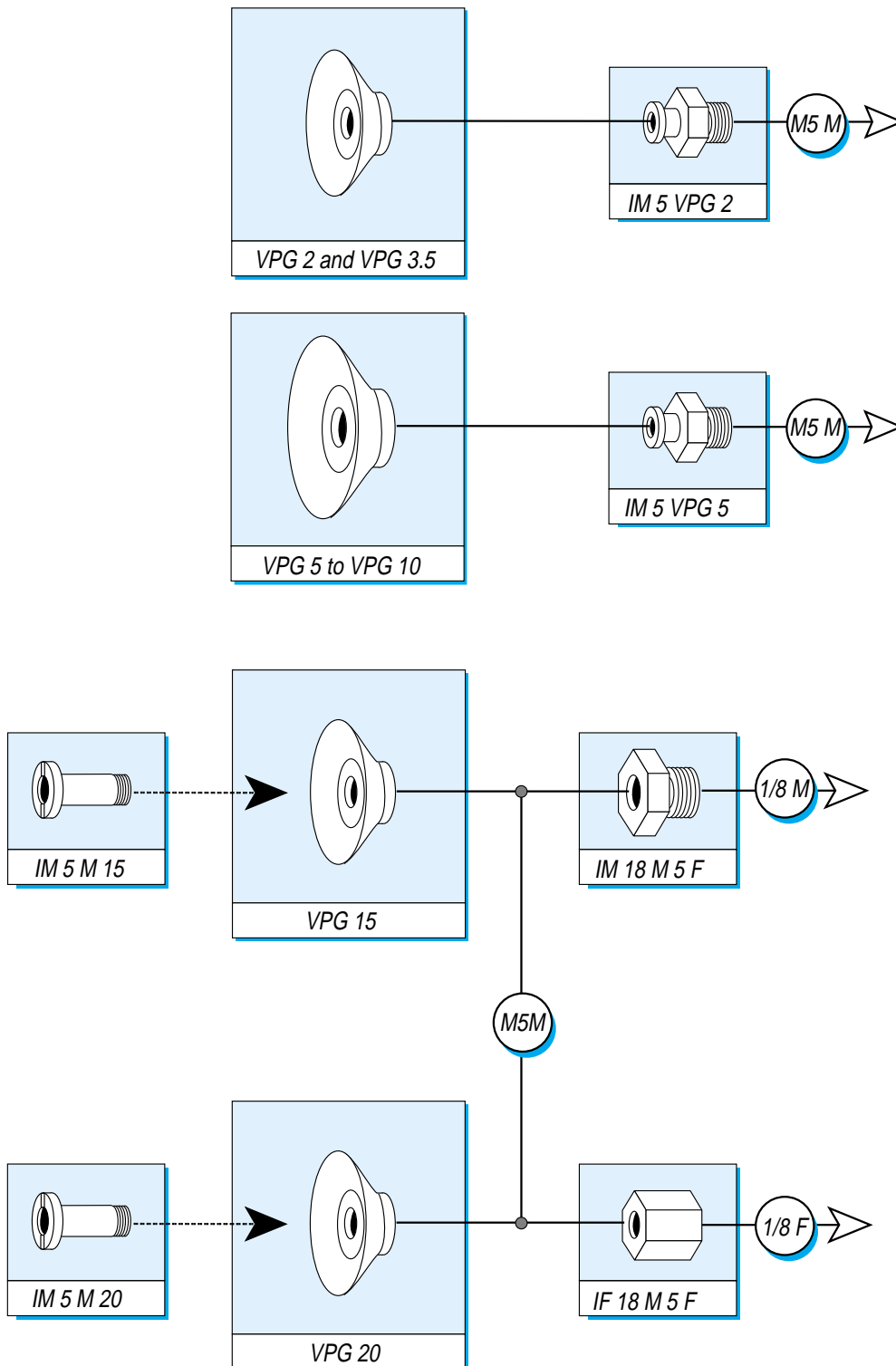
VP - VSA - VS

Diameters from 75 to 95 mm



➔ Vacuum connection icon

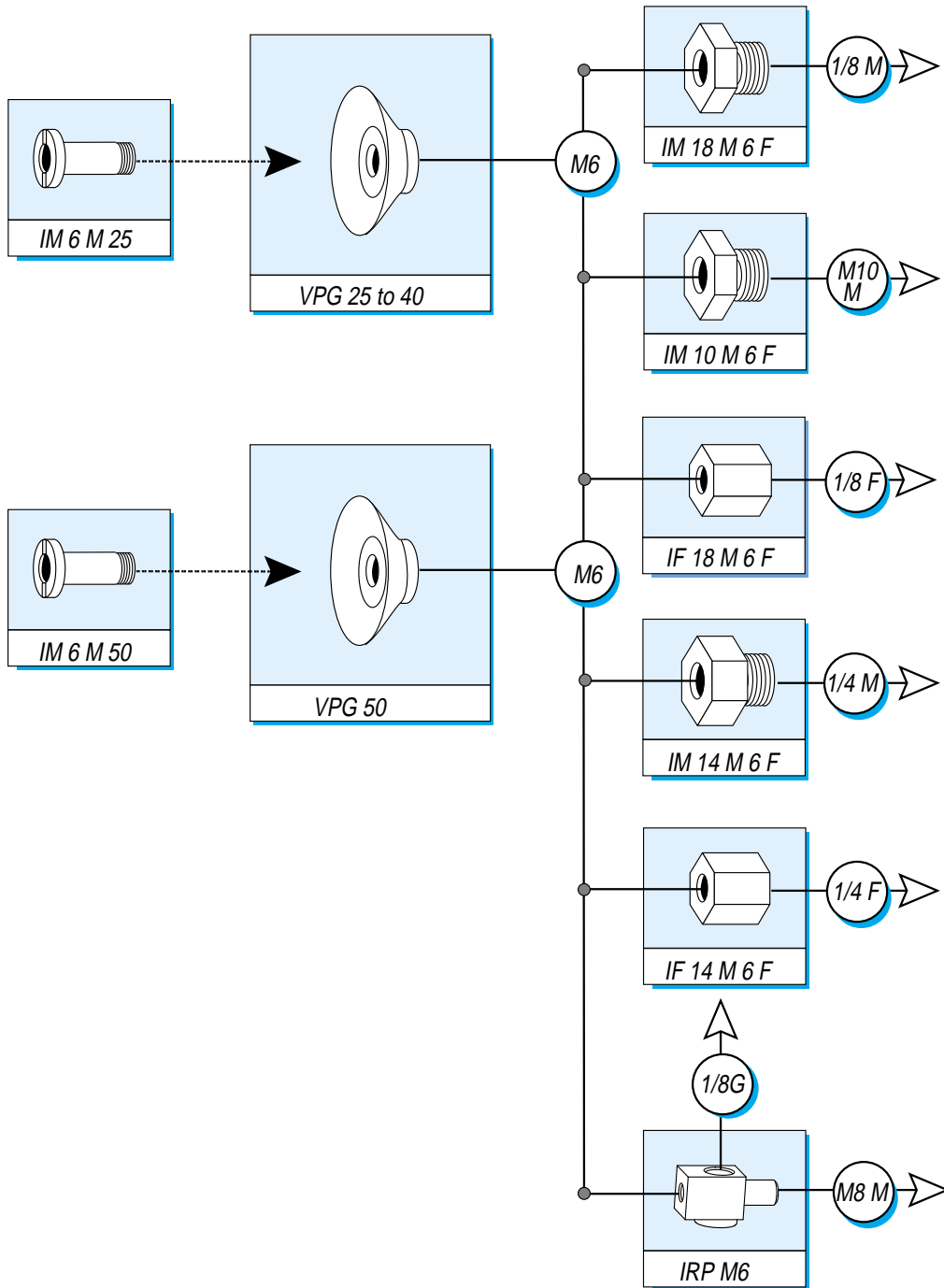
Drawings and details of inserts on pages 70 to 73. Spring systems on pages 90, 91 and 92.



Dimensions and characteristics may be modified without notice.

➤ Vacuum connection icon

Drawings and details of inserts on pages 70 to 73. Spring systems on pages 90, 91 and 92.



➔ Vacuum connection icon

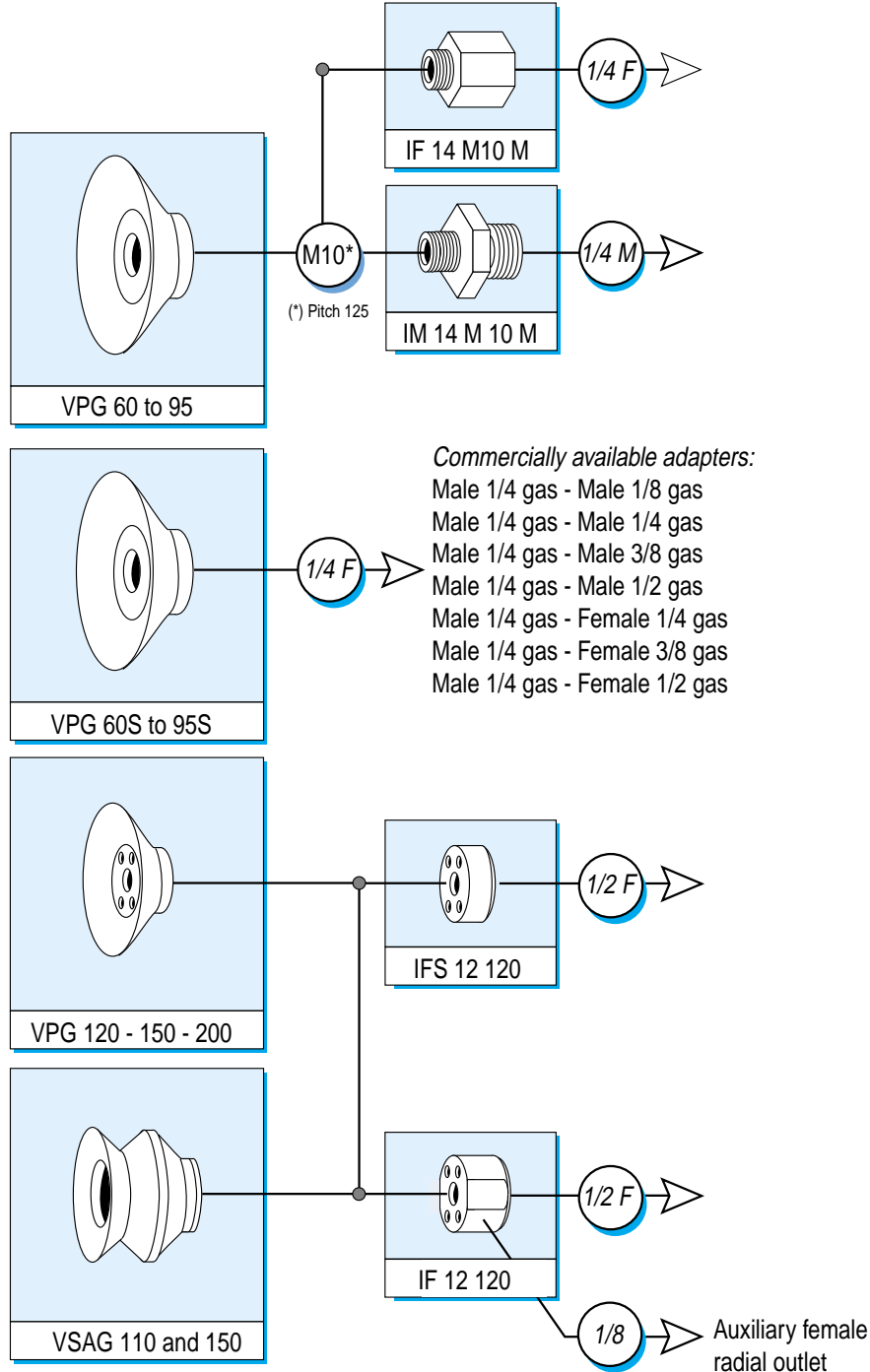
Drawings and details of inserts on pages 70 to 73. Spring systems on pages 90, 91 and 92.

Dimensions and characteristics may be modified without notice.

Installation diagrams

VPG 60 to 200

VSAG 110 and 150



Dimensions and characteristics may be modified without notice.

➔ Vacuum connection icon

Drawings and details of inserts on pages 70 to 73. Spring systems on pages 90, 91 and 92.