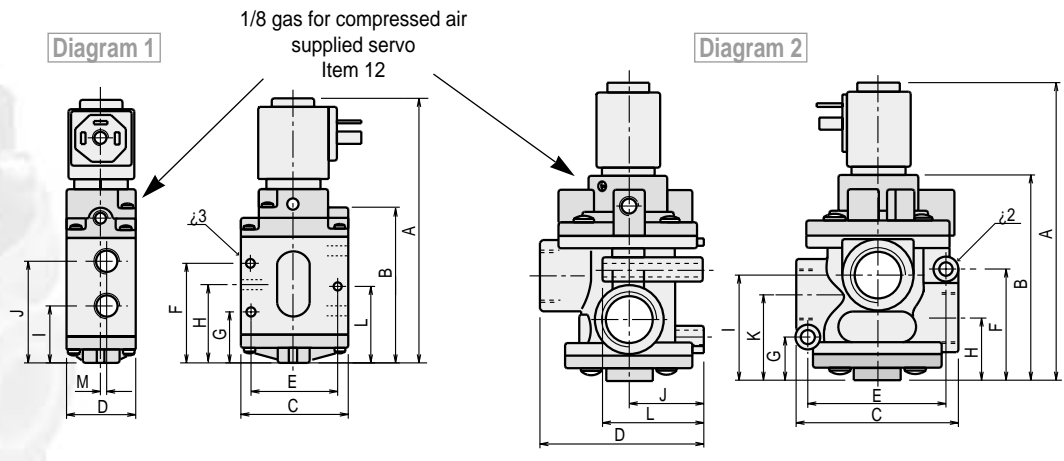
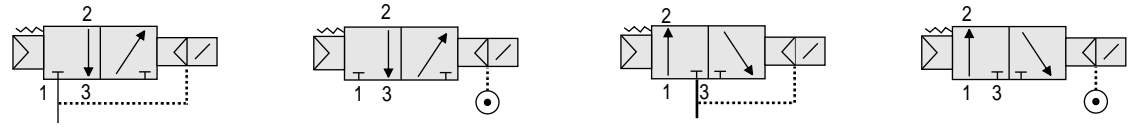


Vacuum valve, series AG



Applications:

- | | | | |
|-----------------------------------|---------------------------------|-----------------------------------|---------------------------------|
| N.C. vacuum supplied servo | N.C. C.A. supplied servo | N.O. vacuum supplied servo | N.O. C.A. supplied servo |
| 3 : Exhaust | 3 : Exhaust | 3 : Exhaust | 3 : Exhaust |
| 2 : Utilization | 2 : Utilization | 2 : Utilization | 2 : Utilization |
| 1 : Pump | 1 : Pump | 1 : Pump | 1 : Pump |



Characteristics:

Ref. NC Vacuum servo	Ref. NO Vacuum servo	Gas coupling	Flow m ³ /h	Seat mm	A	B	C	D	E	F	G	H	I	J	K	L	∅	Cycles cpm	Diagrams
AG 3210	AG 3211	1/4	4	8	140.5	74	60	32	40	47	25	36.5	24	47		35.5	4.5	800	1
AG 3214	AG 3215	3/8	10	10	140.5	74	60	32	40	47	25	36.5	24	47		35.5	4.5	800	1
AG 3222	AG 3223	1/2	20	15	154	100	76	78.5	63	54.5	21	30	50.5	35	41	47	6.4	750	2
AG 3232	AG 3233	3/4	35	19	154	100	76	78.5	63	54.5	21	30	50.5	35	41	47	6.4	750	2
AG 3242	AG 3243	1	90	25	174	115	101	89	76	62.5	25.5	38	64	40	51	55	8.4	540	2
Ref. NC* C.A. servo	Ref. NO* C.A. servo*	Gas coupling	Flow m ³ /h	Seat mm	A	B	C	D	E	F	G	H	I	J	K	L	∅	Cycles cpm	
AG 3009	AG 3010	1/4	4	8	129	74	60	32	40	47	25	36.5	24.5	47	35.5	1.5	4.5	800	1
AG 3011	AG 3012	3/8	10	10	129	74	60	32	40	47	25	36.5	24.5	47	35.5	1.5	4.5	800	1
AG 3021	AG 3020	1/2	20	15	150	100	78.5	75	63	54.5	21	30	50.5	35	41	47	6.4	750	2
AG 3041	AG 3040	3/4	35	19	150	100	78.5	75	63	54.5	21	30	50.5	35	41	47	6.4	750	2
AG 3051	AG 3050	1	90	25	167	115	101	89	76	62.5	25.5	38	64	40	55	54.5	8.4	550	2

(**) For compressed air supply servo, 3 to 6 bars

Specifications:

Vacuum (for vacuum supply servo)	30% minimum, 97% maximum
Temperature	50°C maximum
Lubrication	No
Voltage	24 V DC / 24 V AC / 48 V AC / 110 V AC / 220 V AC
Coil 12 VA AC (30 VA draw)	11 Watts DC

Special manufacture:

On request, versions in stainless steel (for white rooms) and plastic (lighter weight).



Dimensions and characteristics may be modified without notice.