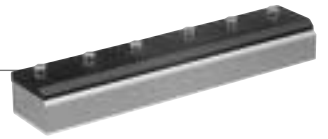


Air curtain, series RDA 150



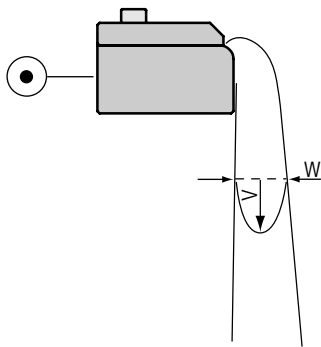
Applications:

High-impact jet to **dry** products or inks, to **cool** and to **clean**.

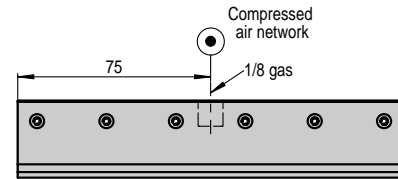
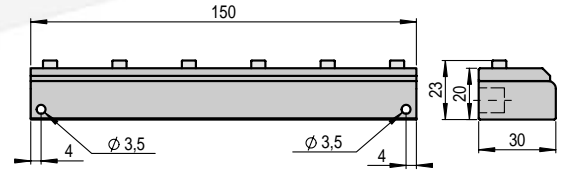
Characteristics:

Supply pressure in bars	Consumption in NI/min	at 150 m		at 600 mm		at 1200 mm	
		V m/min	W mm	V m/min	W mm	V m/min	W mm
2	252	679	57	418	140	283	145
3	335	1019	60	627	160	425	174
4	419	1358	65	836	240	566	235
5	503	1698	65	1045	259	708	360
6	587	2037	70	1254	260	849	410

Operating principle:



V: Peak speed of flow in m/min
W: width of flow in mm



Vacuum gauge, series VAF 111



Applications:

Vacuum gauges in series VAF 111 are recommended for the creation of a vacuum level for maintenance, checking and adjustment.

On option, they can be fitted on venturis in series GVP, reference GVO VAF11140. See page 28.

Characteristics:

Reference	D*	D1	b1	b2	b3	b4	d
	mm	mm	mm	mm	mm	mm	G male
VAF 111 40	40	43	32.5	12	52	4	1/8
VAF 111 50	50	54	32.5	12	52	4	1/4
VAF 111 63	63	68	32.5	12	52	4	1/4

(*) D: Recess fitting diameter

Specifications:

Damping	By patented silicone movement
Flange	Chrome-plated
Measurement	Bourdon tube of CuSn
Accuracy	cl.2.5 (±2.5% of max. scale value)
Housing	ABS, black
Temperature	0 to 60°C
Recess fitting	Bush included in supply
Option	As per quantity, possibility of customized dial

