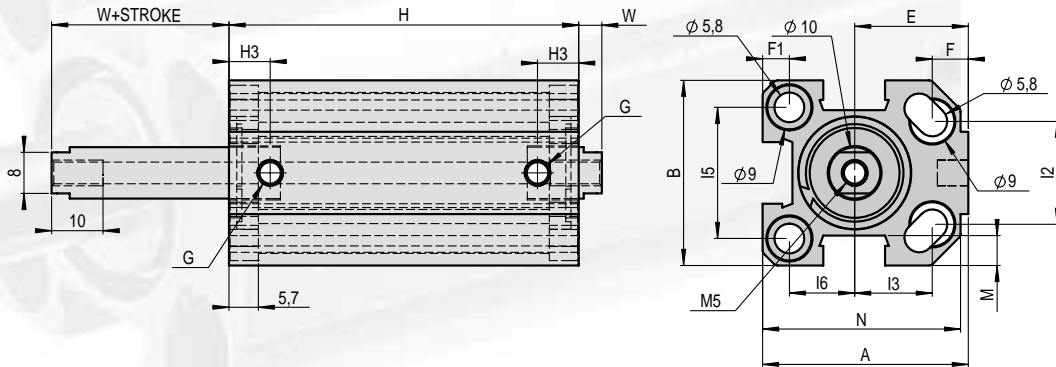


Dual hollow rod cylinder, series FDPM



Applications:

The dual hollow rod type ram in series FDPM is ideal for «gripping-release» applications.
The dual hollow rod allows routing of the vacuum, simplifies wiring and avoids the need for any connection or pipes, etc., on the gripping station.

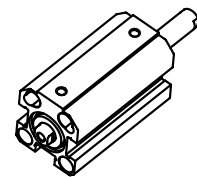
Characteristics:

Characteristics Models	A mm	B mm	E mm	F mm	F1 mm	G	H mm	H3 mm	I2 mm	I3 mm	I5 mm	I6 mm	M mm	N mm	W mm	Weight g
FDPM 2015	40	36	22	7	5.2	M5	47	8	20	15	25.5	12.7	5.7	38.5	4.5	145
FDPM 2025	40	36	22	7	5.2	M5	63	8	20	15	25.5	12.7	5.7	38.5	4.5	190
FDPM 2050	40	36	22	7	5.2	M5	88	8	20	15	25.5	12.7	5.7	38.5	4.5	260
FDPM 2080	40	36	22	7	5.2	M5	115	8	20	15	25.5	13	5.7	38.5	4.5	390
FDPM 2515	44.5	40	24.5	9	6	G1/8	53.5	10.5	26	15.5	28	14	4.5	5.5	5.5	190
FDPM 2525	44.5	40	24.5	9	6	G1/8	64.5	10.5	26	15.5	28	14	4.5	42	5.5	245
FDPM 2550	44.5	40	24.5	9	6	G1/8	89.5	10.5	26	15.5	28	14	4.5	42	5.5	325
FDPM 2580	44.5	40	24.5	9	6	G1/8	119.5	10.5	26	15.5	28	14	4.5	42	5.5	490

The eight models mentioned above are kept in stock.

Specifications:

Compressed air	Filtered, lubricated or not
Pressure	1.5 to 10 bars
Temperature	-20°C to 80°C
Tensile force, 20 dia.	123 N at 6 bars
Tensile force, 25 dia.	225 N at 6 bars
Heat treatment	Hard anodized (long service life)
Option	End-of-stroke magnetic sensor



Definition of dual hollow rod type ram:

Two dual-action cylinders, 20 and 25
Standard strokes:
For FDPM 20: 15 - 25 - 80 mm
For FDPM 25: 25 and 80 mm
Integratable end-of-stroke magnetic sensor