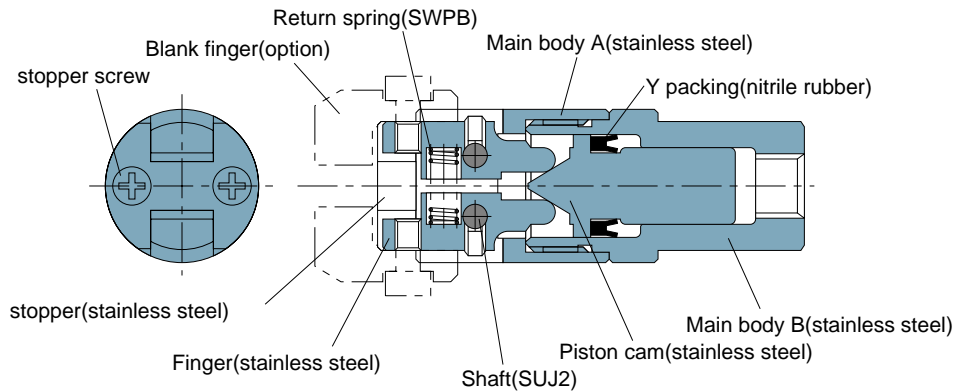


Normally Open, Single Acting Lever Gripper Closing Gripper Series

Features

- These are stainless steel air finger models featuring light weight and miniature size.
- Blank fingers are provided for the K type fingers. R adjustment leaves no possibility of misalignment. The blank finger can be attached to the K type finger with a single screw.
- Stable gripping is assured by a work stopper. The floating type makes more effective use of the work stopper, and prevents damage due to bumping. (finger type: K)

Construction



Specification

Cylinder bore	φ8mm	φ11mm
Gripping force at *7.1psi fingers in parallel	0.022lbf (0.1N)	0.061lbf (0.27N)
Service pressure range	28.4~100psi (0.2~0.7MPa)	
Service temperature range	32~140°F (0~60°C) (No freezing)	
Lubrication	Not required	

*500kPa

Model Designation(Example)

CHM 08 A A K
(1) (2) (3) (4) (5)

(1) Type

(2) Cylinder bore

Code	08	11
Bore	φ8mm (0.31in.)	φ11mm (0.43in.)

(3) Gripper action
A : Single-action closing gripper (normally open)

(4) Holder type

A shank type	B panel mount type	C Floating panel mount type Fingers in parallel	D Floating panel mount type Fingers at right angle	E Floating block type Fingers in parallel	F Floating block type Fingers at right angle

(5) Finger type
K : R-adjustment single screw installation type (Blank fingers provided)
*Work stopper is provided as a standard feature. Remove it if it is not necessary.
S : Two screw installation type

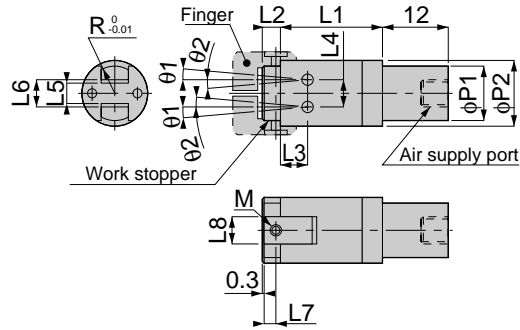
 Detailed Safety Instructions

Before using the PISCO device, be sure to read the "Safety Instructions", "Common Safety Instructions for Products Listed in This Manual" on pages 23~24 and "Common Safety Instructions for Actuators" on page 518 and "Common Safety Instructions for Lever Grippers" on page 519.

Actuator Series Closing Gripper Series



Shank Type



unit:mm

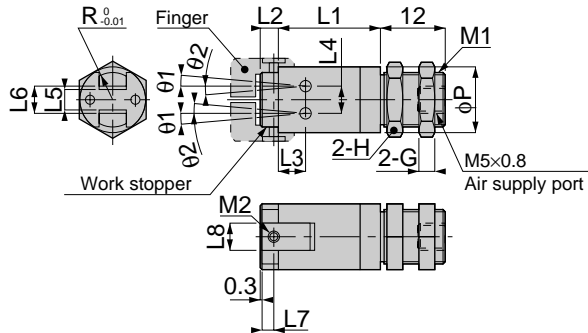
Model	M	R	L1	L2	L3	L4	L5	L6	L7	L8	φP1	φP2	θ1	θ2	Mass (g)
CHM 08AAK	M2×0.4	R5	19.5	3	5	5	4	5	2	5	10	12	10°	4.5°	21.5
CHM 11AAK	M2.5×0.45	R6.5	23.5	4	5.5	6	4.5	6	2.5	7	12	16	8°	4.5°	41



1



Panel Mount Type



unit:mm

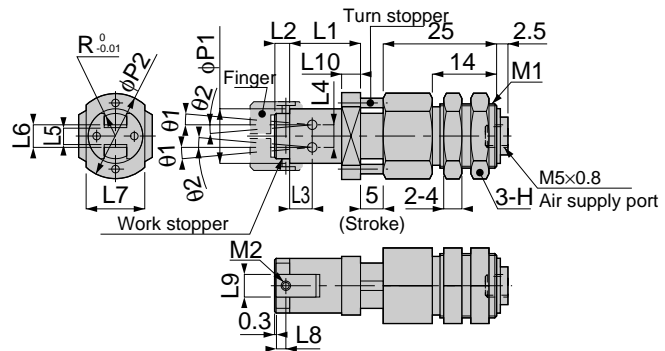
Model	M1	M2	R	L1	L2	L3	L4	L5	L6	L7	L8	φP	θ1	θ2	H	G	Mass (g)
CHM 08ABK	M10×1	M2×0.4	R5	19.5	3	5	5	4	5	2	5	12	10°	4.5°	12	3	22
CHM 11ABK	M12×1	M2.5×0.45	R6.5	23.5	4	5.5	6	4.5	6	2.5	7	16	8°	4.5°	14	4	43.5



1



Floating Panel Mount Type Fingers in Parallel



unit:mm

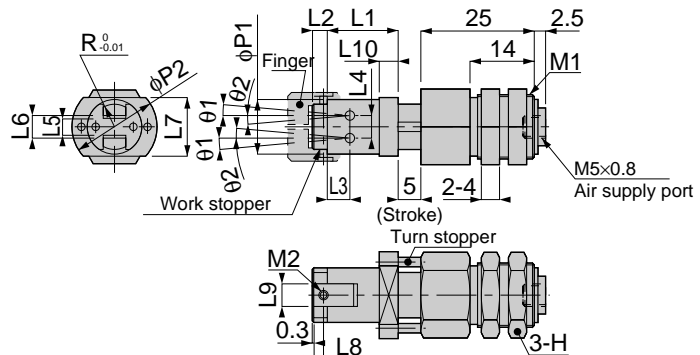
Model	M1	M2	R	L1	L2	L3	L4	L5	L6	L7	L8	L9	L10	φP1	φP2	θ1	θ2	H	Mass (g)
CHM 08ACK	M14×1	M2×0.4	R5	15.5	3	5	5	4	5	13	2	5	4	12	19	10°	4.5°	17	58
CHM 11ACK	M18×1	M2.5×0.45	R6.5	18.5	4	5.5	6	4.5	6	17	2.5	7	5	16	24	8°	4.5°	22	104.5



1



Floating Panel Mount Type Fingers at Right Angle



unit:mm

Model	M1	M2	R	L1	L2	L3	L4	L5	L6	L7	L8	L9	L10	φP1	φP2	θ1	θ2	H	Mass (g)
CHM 08ADK	M14×1	M2×0.4	R5	15.5	3	5	5	4	5	13	2	5	4	12	19	10°	4.5°	17	58
CHM 11ADK	M18×1	M2.5×0.45	R6.5	18.5	4	5.5	6	4.5	6	17	2.5	7	5	16	24	8°	4.5°	22	104.5

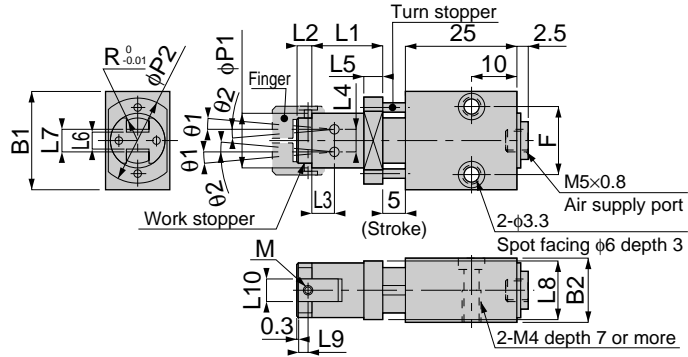


1

Actuator Series Closing Gripper Series

CHM A K

Floating Block Type
Fingers in Parallel



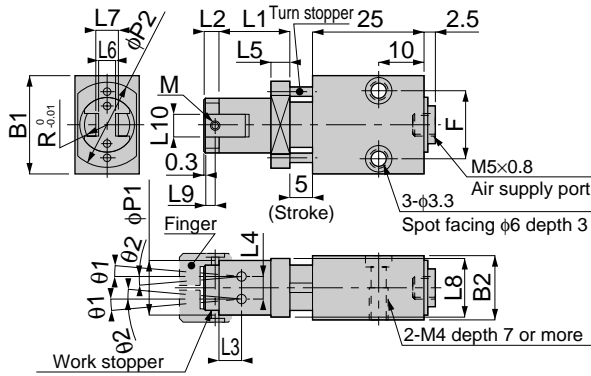
Model	M	R	B1	B2	L1	L2	L3	L4	L5	L6	L7	L8	L9	L10	φP1	φP2	θ1	θ2	F	Mass (g)
CHM 08AEK	M2x0.4	R5	22	14	15.5	3	5	5	4	4	5	13	2	5	12	19	10°	4.5°	15	73
CHM 11AEK	M2.5x0.45	R6.5	25	18	18.5	4	5.5	6	5	4.5	6	17	2.5	7	16	24	8°	4.5°	18	117

unit:mm



CHM A K

Floating Block Type
Fingers at Right Angle



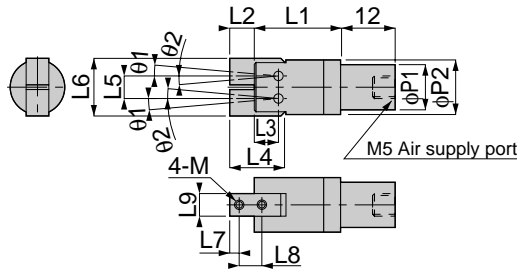
Model	M	R	B1	B2	L1	L2	L3	L4	L5	L6	L7	L8	L9	L10	φP1	φP2	θ1	θ2	F	Mass (g)
CHM 08AFK	M2x0.4	R5	22	14	15.5	3	5	5	4	4	5	13	2	5	12	19	10°	4.5°	15	73
CHM 11AFK	M2.5x0.45	R6.5	25	18	18.5	4	5.5	6	5	4.5	6	17	2.5	7	16	24	8°	4.5°	18	117

unit:mm



CHM A

Shank Type



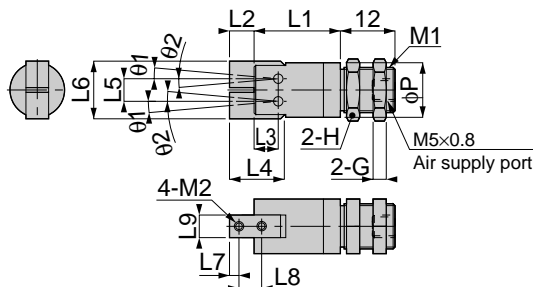
Model	M	L1	L2	L3	L4	L5	L6	L7	L8	L9	φP1	φP2	θ1	θ2	Mass (g)
CHM 08AAS	M2x0.4	19.5	5.5	5	12	5	13	2.5	5	5	10	12	10°	4.5°	22
CHM 11AAS	M2.5x0.45	23.5	7	5.5	14	6	17	3	6	7	12	16	8°	4.5°	43

unit:mm



CHM A

Panel Mount Type



Model	M1	M2	L1	L2	L3	L4	L5	L6	L7	L8	L9	φP	θ1	θ2	H	G	Mass (g)
CHM 08ABS	M10x1	M2x0.4	19.5	5.5	5	12	5	13	2.5	5	5	12	10°	4.5°	12	3	23.5
CHM 11ABS	M12x1	M2.5x0.45	23.5	7	5.5	14	6	17	3	6	7	16	8°	4.5°	14	4	45.5

unit:mm

