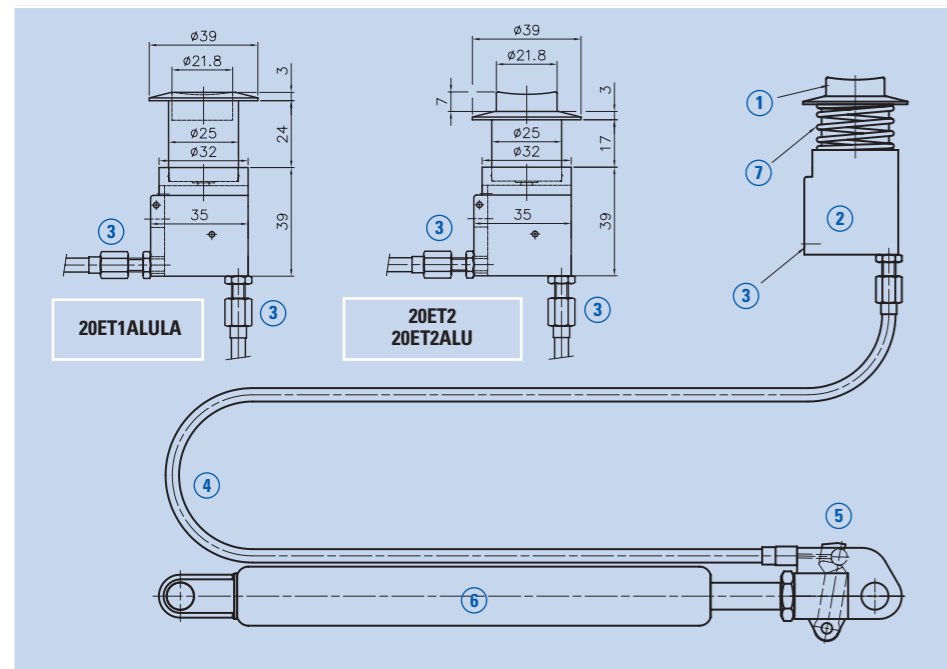


easytouch
by wire



Bowden Wire Release System for lockable gas springs with release travel < 1mm

Easytouch Standard



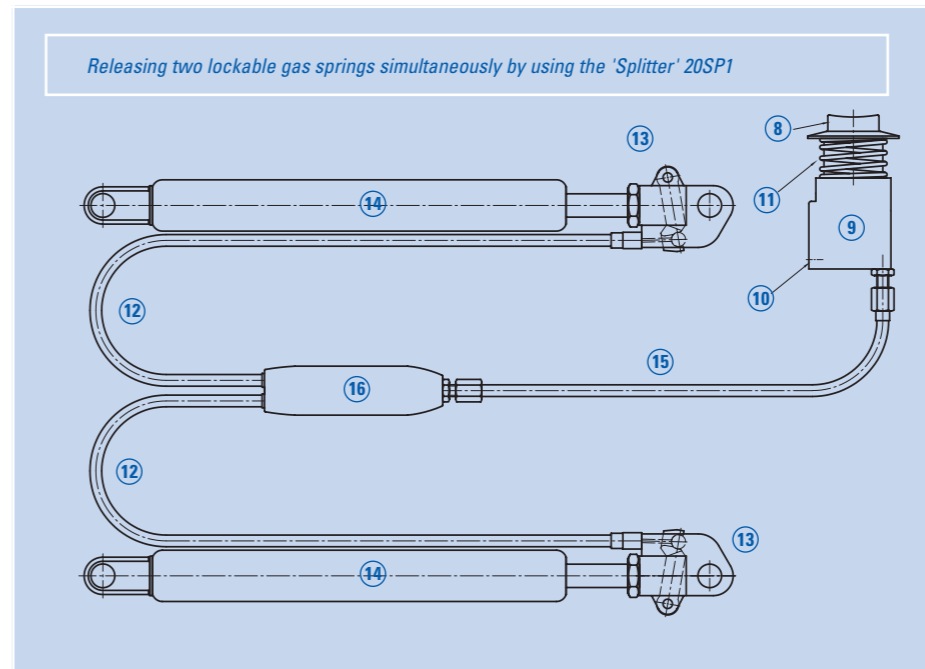
Bowden wire release system easytouch standard

- ① stroke = 10 mm, release ratio 10:1
- ② Easytouch release system
- ③ alternative connecting
- ④ Bowden wire 20BZLLLLTAAKP
- ⑤ release head (mounted)
- ⑥ lockable gas springs with short release
- ⑦ coil spring

④ Bowden wire standard dimensions

Code	length (mm)
20BZ0500TAAKP	500
20BZ0750TAAKP	750
20BZ1000TAAKP	1000
20BZ1250TAAKP	1250
20BZ1500TAAKP	1500

Easytouch Splitter



Easytouch Splitter

- ⑧ stroke = 10 mm, release ratio 10:1
- ⑨ Easytouch release system
- ⑩ alternative connecting
- ⑪ coil spring
- ⑫ Bowden wire 20BZLLLLSPAKP
- ⑬ release head (mounted)
- ⑭ lockable gas springs with short release
- ⑮ Bowden wire 20BZLLLLSPTAP
- ⑯ Easytouch Splitter 20SP1

⑯ 20SP1



Push buttons

20ET1 plastic, with coil spring	20ET1ALU aluminium, with coil spring	20ET1ALULA push button with long bushing, aluminium, without coil spring
20ET2 plastic, without coil spring	20ET2ALU aluminium, without coil spring	

Bowden wire standard dimensions

⑮ From splitter to push button		⑫ From splitter to release head	
Code	length (mm)	Code	length (mm)
20BZ0500SPTAP	500	20BZ0500SPAKP	500
20BZ0750SPTAP	750	20BZ0750SPAKP	750
20BZ1000SPTAP	1000	20BZ1000SPAKP	1000
20BZ1250SPTAP	1250	20BZ1250SPAKP	1250
20BZ1500SPTAP	1500	20BZ1500SPAKP	1500

