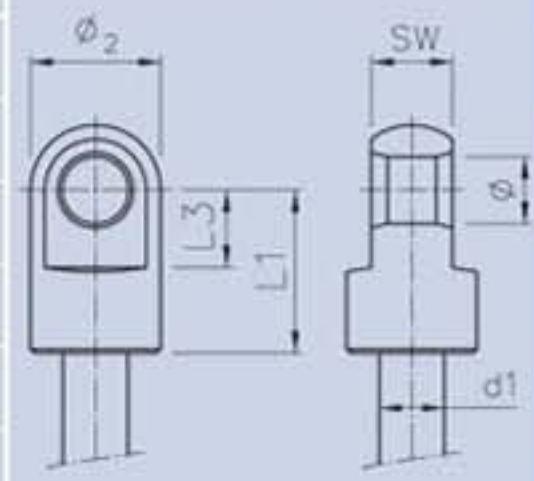


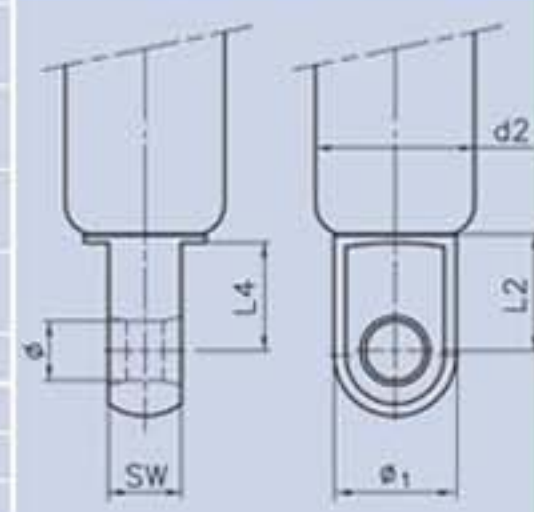
### 活塞杆安装眼

代码	SW	Ø	L1	L3	Ø2	d1	螺纹	适合用气弹簧	适合用的自锁型气弹簧	适用的牵引型气弹簧
H1	3,0	4,1	12,0	6,0	8,0	12,0	M4	x		
D1	3,0	6,2	16,0	9,0	11,0	6,0	M5	x		
F1	6,0	6,2	16,0	9,0	10,0	6,0	M5	x		
E1	3,0	8,2	16,0	9,0	11,0	6,0	M5	x		
D2	5,0	6,2	23,0	11,5	16,0	8,0-10,0	M8	x		
E2	5,0	8,2	23,0	12,5	16,0	8,0-10,0	M8	x		
E2/KL	5,0	8,2	23,0	11,5	19,0	8,0-10,0	M8	x		
P2	5,0	10,5	23,0	11,5	19,0	8,0-10,0	M8	x		
A1	10,0	8,2	20,0	20,0	16,0	8,0-10,0	M8, M10	x		x
H2	10,0	6,2	20,0	20,0	16,0	8,0-10,0	M8	x		
M2	10,0	10,2	20,0	20,0	16,0	8,0-10,0	M10	x		
J2	8,0	8,2	20,0	10,0	16,0	8,0-10,0	M8	x		x
K2	12,0	8,2	20,0	10,0	16,0	8,0-10,0	M5, M8	x		
W2	8,0	8,2	27,0	12,0	16,0	8,0-10,0	M8	x		
G2	8,0	6,2	20,0	10,0	16,0	8,0-10,0	M8	x		
A2	18,0	8,2	25,0	25,0	18,0	8,0-14,0	M8, M10	x		x
B2	18,0	10,2	25,0	25,0	18,0	8,0-14,0	M8, M10	x		x
X3	14,0	8,2	20,0	20,0	19,0	8,0-14,0	M8, M10	x		x
B1	12,0	8,2	25,0	12,0	19,0	10,0-14,0	M8, M10	x		x
L2	12,0	10,2	25,0	12,0	19,0	12,0-14,0	M8, M10	x		x
N2	10,0	8,2	30,0	16,0	19,0	12,0-14,0	M10	x		x
Z2	12,0	12,2	25,0	11,0	19,0	12,0-14,0	M8, M10	x		x
Z1	10,0	8,5	30,0	16,0	19,0	12,0-14,0	M10	x		x
M2	10,0	10,2	30,0	16,0	19,0	12,0-14,0	M8	x		x
O2	10,0	10,5	30,0	16,0	19,0	12,0-14,0	M10	x		x
C1	14,0	14,2	40,0	20,0	20,0	20,0	M14	x		x



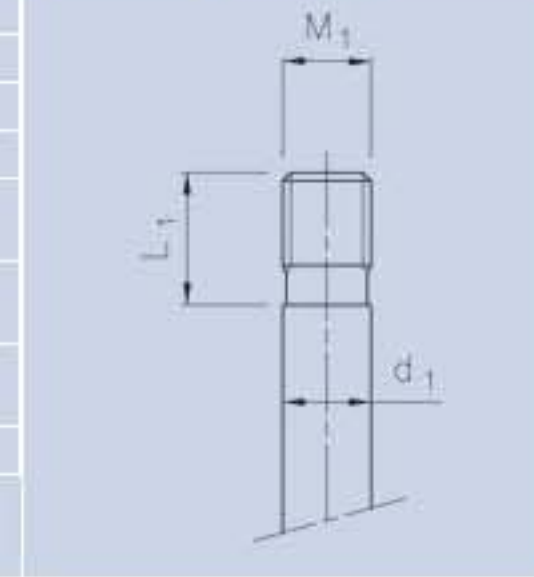
### 气缸侧安装眼

代码	SW	Ø	L2	L4	Ø1	d2	适合用气弹簧	适合用的自锁型气弹簧	适用的牵引型气弹簧
H1	3,0	4,1	8,0	7,0	8,0	12,0	x		
D2	5,0	6,2	16,0	15,0	15,0-17,0	19,0-22,0	x		
E2	5,0	8,2	13,0	15,0	15,0-17,0	19,0-22,0	x		
D1	3,0	6,2	12,0	10,5	11,0	15,0	x		
E1	3,0	8,2	12,0	10,5	11,0	15,0	x		
F2	10,0	8,2	9,5	9,5	15,0	19,0	x	x	
F2	10,0	8,2	12,0	11,0	17,0	22,0	x		
P2	5,0	8,2	12,0	11,0	17,0	22,0	x	x	
A1	10,0	8,2	16,0	15,0	15,0-17,0	19,0-22,0	x	x	x
H2	10,0	6,2	16,0	15,0	15,0-17,0	19,0-22,0	x	x	
M2	10,0	10,2	16,0	15,0	15,0-17,0	19,0-22,0	x	x	
G2	8,0	6,2	16,0	15,0	15,0-17,0	19,0-22,0	x	x	
J2	8,0	8,2	16,0	15,0	15,0-17,0	19,0-22,0	x	x	x
K2	12,0	8,2	16,0	15,0	17,0	22,0	x	x	
B1	12,0	8,2	13,0	12,0	20,0	28,0	x	x	x
L2	12,0	10,2	13,0	12,0	20,0	28,0	x	x	x
N2	10,0	8,2	13,0	12,0	20,0	28,0	x	x	x
V2	6,0	8,2	13,0	12,0	20,0	28,0	x	x	
Z2	12,0	12,2	12,0	12,0	20,0	28,0	x	x	x
A1	10,0	8,2	16,0	15,0	20,0	28,0	x	x	
Z1	10,0	8,5	16,0	15,0	20,0	28,0	x	x	
M2	10,0	10,2	16,0	15,0	20,0	28,0	x	x	
O2	10,0	10,5	16,0	15,0	20,0	28,0	x	x	
M3	8,0	10,2	16,0	15,0	16,0	28,0	x	x	
N3	8,0	8,2	16,0	15,0	20,0	28,0	x	x	
K3	12,0	9,2	16,0	15,0	20,0	28,0	x	x	
C1	14,0	14,2	40,0	20,0	20,0	10,0	x	x	x



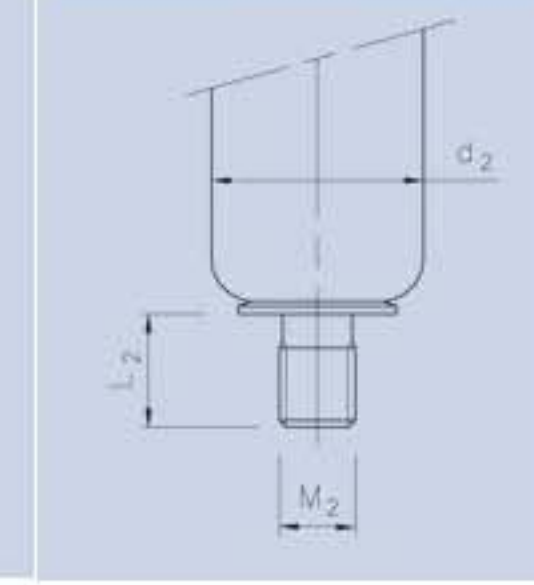
### 活塞杆螺纹

代码	M1	L1	d1	适合用气弹簧	适合用的自锁型气弹簧	适用的牵引型气弹簧
U0	M4	4,0	4,0	x		
V0	M5	5,0	6,0	x		
B0	M8	9,0	8,0	x		x
H0	M8	9,0	10,0	x		x
D0	M10	9,0	10,0-14,0	x		x
R0	M6	10,0	8,0	x		
A0	M6	8,0	8,0	x		
J0	M8	12,0	8,0-10,0	x		
P0	M8	15,0	8,0-10,0	x		
C0	M8	20,0	8,0-10,0	x		
T0	M10	10,0	10,0	x		
E0	M10	15,0	10,0-14,0	x		
F0	M10	20,0	10,0	x		
G0	M12	12,0	12,0	x		
Y0	M6	6,0	6,0	x		
Z0	MF 14x1,5	15,0	20,0	x		x
K0	MF 10x1	18,0	10,0-14,0		x	
O0	MF 14x1,5	20,0	14,0-20,0		x	
W0	MF 8x1	16,0	8,0		x	



### 气缸侧螺纹

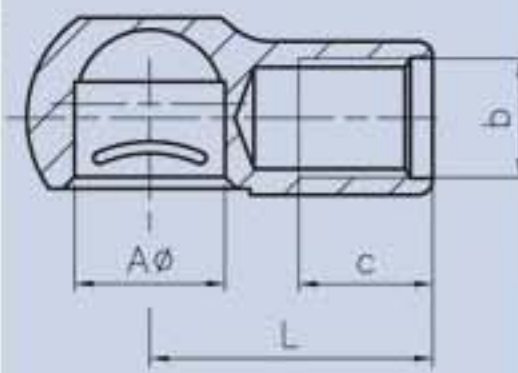
代码	M2	L2	d2	适合用气弹簧	适合用的自锁型气弹簧	适用的牵引型气弹簧
U0	M4	4,0	12,0	x		
V0	M5	5,0	15,0	x		
L0	M8	13,0	19,0-28,0	x	x	x
M0	M10	13,0	22,0-40,0	x	x	x
A0	M6	8,0/12,0	19,0-22,0	x		
N0	M8	8,0	19,0-28,0	x	x	
S0	M10	5,0	22,0	x		
Y0	M6	6,0	15,0	x		
Z0	MF 14x1,5	15,0	40,0	x		x



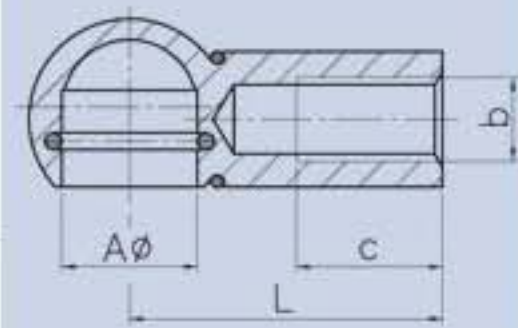


### 包括扣环的球形接头

代码	A $\phi$	L mm	b*c mm	材料
W5	10	19	M6*9, M8*9	钢
W6	10	18	M8*10	塑料

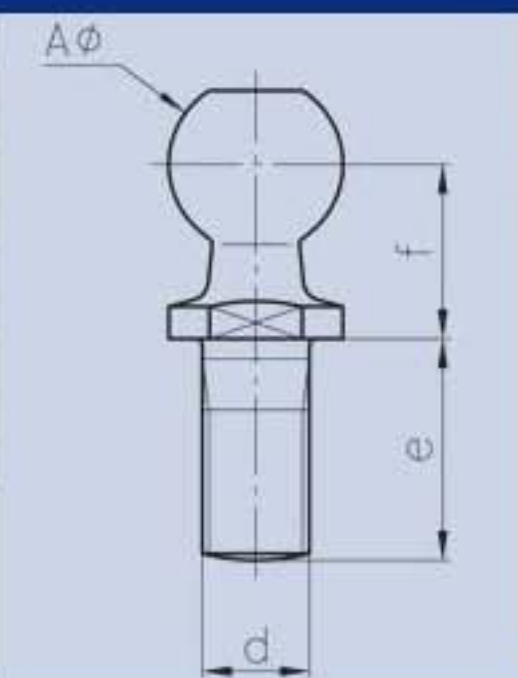


代码	A $\phi$	L mm	b*c mm	材料
F5	8	18	M4*6	钢
J3	8	22	M5*10,2	
W4	10	15	M5*5	
F3	10	19	M8*12	
P3	13	30	M6*14, M8*14	
W3	16	35	M10*15,5	



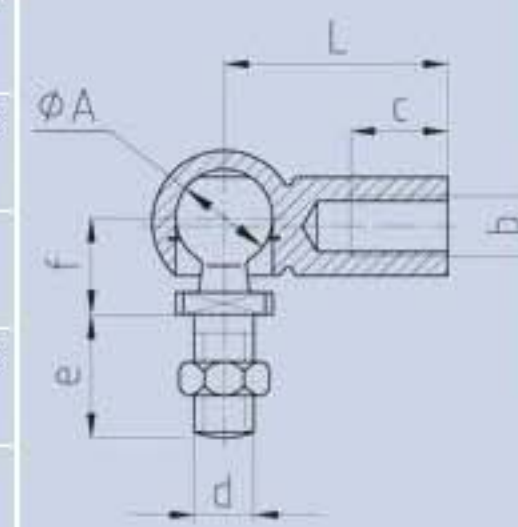
### 螺栓

设计号	A $\phi$	d*e mm	f mm	材料
KB08M4*10.2BL	8	M4*10	9	钢、镀锌
KB08M5*10.2BL	8	M5*10	9	钢、镀锌
KB08M5*17BL	8	M5*17	9	钢、镀锌
KB105/16*25.4BL	10	M16*25	12,7	钢、镀锌
KB10M8*13BL	10	M8*13	12	钢、镀锌
KB10M8*16.5BL	10	M8*16,5	12	钢、镀锌
KB10M8*20BL	10	M8*20	12	钢、镀锌
KB13M8*16.5BL	13	M8*16,5	13,5	钢、镀锌
KB16M10*20BL	16	M10*20	17	钢、镀锌



### 直角接头

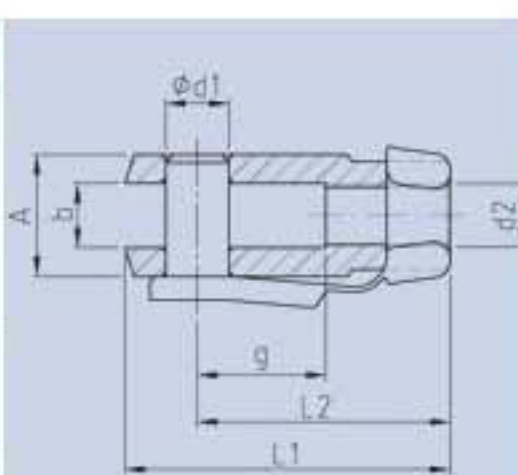
代码	A $\phi$	L mm	b*c mm	d*e mm	f mm	材料	Nut
F4	8	18	M4*6	M4*10	8,5	钢 镀锌	x
B3	8	22	M5*10	M5*10,2	9	钢 镀锌	x
C3	10	15	M5*6	M8*13	12	钢 镀锌	
J4	10	25	M6*12,5	M6*12,5	11	钢 镀锌	x
D3	10	19	M8*9	M8*13	12	钢 镀锌	
A9	10	17	$\emptyset$ 7*9	M8*13	12	钢 镀锌	
Y9	10	19	M8*9	M8*13	12	钢 镀锌	x
H3	10	19	M8*9	5/16-18UNC-2A	13	钢 镀锌	x
A3	13	30	M8*14	M8*16,5	13	钢 镀锌	x
A4	16	35	M10*15,5 / M8*15,5	M10*20	16	钢 镀锌	x
B4*	19	45	M14*1,5*21,5	M14*1,5*21,5	20	钢 镀锌	x



### U型接头

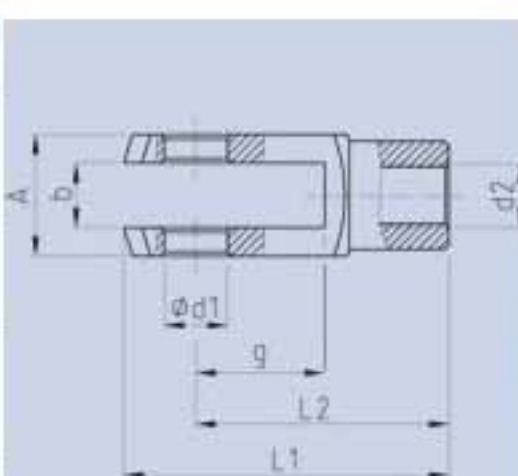
#### 带卡簧螺丝的U型接头

代码	$\emptyset$ d1 mm	g mm	A mm	b mm	L1 mm	L2 mm	$\emptyset$ d2 mm	材料
N4	4	8	8	4	21	16	M4	钢 镀锌
G5	5	10	10	5	26	20	M5	钢 镀锌
C5	8	16	16	8	42	32	M8	钢 镀锌
D9	10	20	20	10	52	40	M10	钢 镀锌
L5	14	28	27	14	72	56	M14*1,5	钢 镀锌



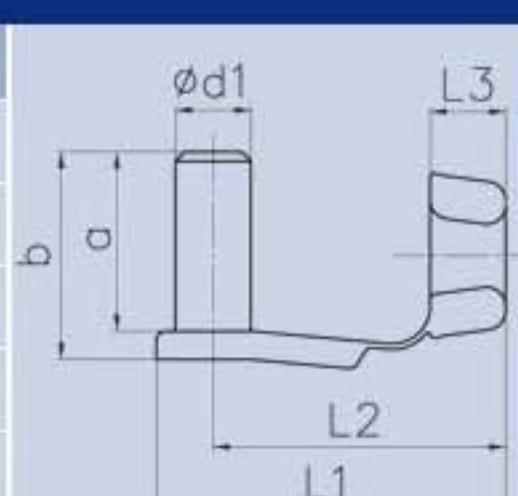
#### 不带卡簧螺丝的U型接头

代码	$\emptyset$ d1 mm	g mm	A mm	b mm	L1 mm	L2 mm	$\emptyset$ d2 mm	材料
M4	4	8	8	4	21	16	M4	钢 镀锌
E5	5	10	10	5	26	20	M5	钢 镀锌
A5	8	16	16	8	42	32	M8	钢 镀锌
B9	10	20	20	10	52	40	M10	钢 镀锌
H5	14	28	27	14	72	56	M14*1,5	钢 镀锌



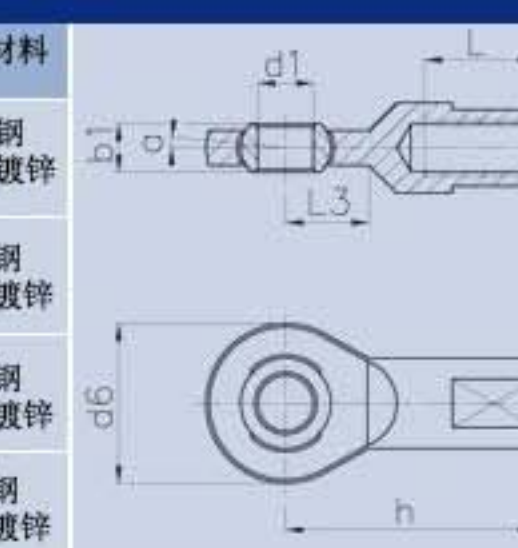
### 卡管螺丝

代码	$\emptyset$ d1 mm	g mm	a mm	b mm	L1 mm	L2 mm	L3 mm	材料
P4	4	8	9,5	11	19	15	4,5	钢、镀锌
F5	5	10	12	13,5	23	19	5,5	钢、镀锌
B5	8	16	19	21,5	37	30	8	钢、镀锌
C9	10	20	23	26	45	38	10	钢、镀锌
J5	14	28	31	34	62	52	14	钢、镀锌



### 安装头

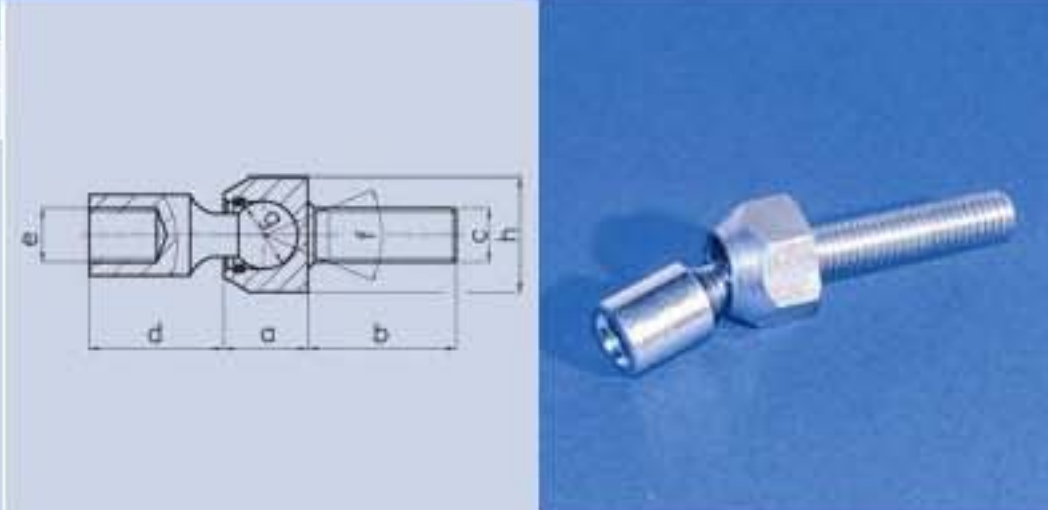
代码	a	b1 mm	d1 mm	d2 mm	d3 mm	d6 mm	h mm	L mm	L3 mm	材料
A7	8°	8	8	13	M8	23	36	16	12	钢 镀锌
A8	6°	9	10	16	M10	28	43	20	13	钢 镀锌
C4	6,5°	9	6	10	M6	20	30	12	11	钢 镀锌
C8	7,5°	19	14	20	M14*1,5	36	57	25	19	钢 镀锌







**球形接头**


代码	a mm	b mm	c mm	d mm	e mm	f mm	g mm	h mm	材质
A6	12,5	20	M8	35	M8	30°	Ø10	SW17	钢、镀锌
B6	12,5	20	M8	22	M8	30°	Ø10	SW17	钢、镀锌




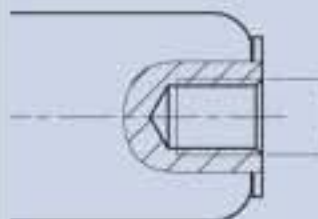
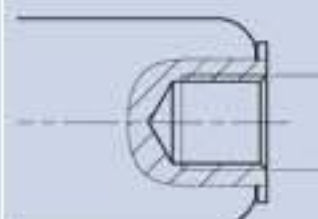
**特殊形连接件**


**活塞杆**

H9	G9
	



**气缸**

H9	U9	N9
		





托架

**900 BA1 SB**

Platte

快速扣件



**900 BA2 SB**

Platte

快速扣件



**900 BA5 SB**

Material-Platte DD11

Material-Bolzen: 15Mn30-C

快速扣件



**900BA3**

Platte

A

A (2:1)

Bolzen (Kugel  $\phi 10$ )

Fläche  $\phi 2$



**900 BA4**

Platte

快速扣件



**900BA6B0**

Federstahl-Sicherung



**900 BA12SR**

扣环



**900 BA14SR**

扣环



**900 BA20SR**

扣环



**900 BA21SR**

扣环



其他的种类可按要求生产