

Series PE



Penductor™ ***Polypro, PVDF & CPVC*** ***Sparging Eductors***

FEATURES:

- Flows comparable with conventional 3/8" tank mixing eductors
- Lower profile helps save your valuable tank space and makes for easier retrofits
- Larger connection sizes eliminate the need for multiple bushings when using standard fittings or our P-Series pumps
- Larger plume dispersion angle helps eliminate dead spots between eductors
- Maximum temperature 280°F (PVDF)

Our new ***PENDUCTOR™*** Sparging Eductor offers a new twist to the current eductor craze. Based on established eductor principles, the ***PENDUCTOR™*** was designed especially for Industrial Sparging Applications.

The nozzle was designed utilizing the same orifice size as a typical 3/8" NPT tank mixing eductor, with a larger connection size, giving you the same flow characteristics with less pressure drop. This can reduce the horsepower required on larger systems. The larger connection sizes al-

low you to use standard reducing tees without extra bushings or reducing couplings, saving you valuable tank space.

The diffuser was designed with a larger plume dispersion angle for more uniform agitation and a lower profile to allow you to utilize your tank space more efficiently.

The result, the ***PENDUCTOR™***, a more efficient space saving eductor made specifically for the surface finishing industry.

Series PE

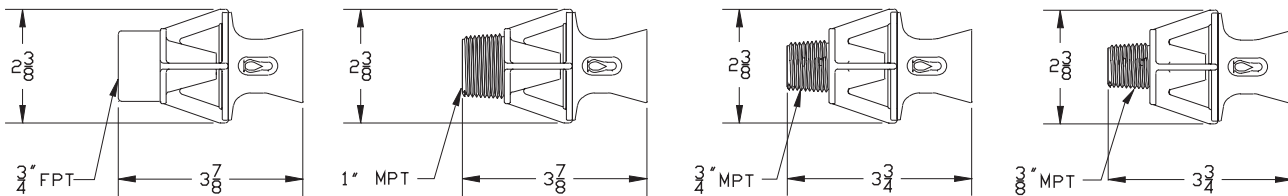
Penductor™

Polypro, PVDF & CPVC Sparging Eductors

Specifications

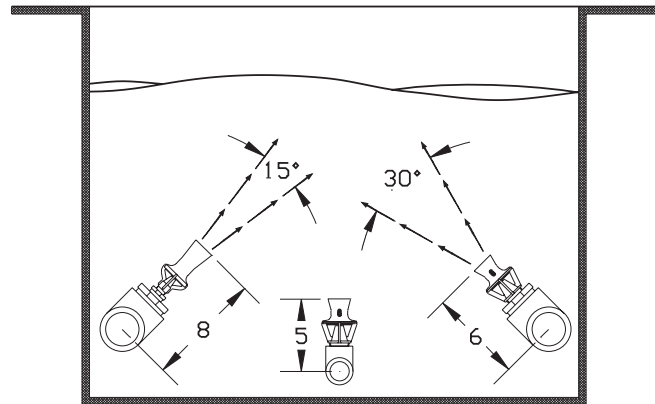
Motive Pressure (PSI)	10	15	20	25	30	35	40	50
Motive Flow (GPM)	7	9	10	11	13	14	15	17
Total Gallons Circulated (GPM)	35	45	50	55	65	70	75	85

Dimensions



BENEFITS:

- Circulates up to 5 gallons for every gallon pumped
- Vigorous agitation keeps solids in suspension and immiscible liquids mixed
- Distributes chemistries more uniformly
- More uniform thickness and brightness
- Eliminates hot spots



Competitor 2" Manifold System Penductor 1" Manifold System Penductor 2" Manifold System

Nomenclature

PE	-	3/4M	C
Penductor		Connection Size	Material of Construction
		3/8M = 3/8" MPT	A = CPVC
		3/4F = 3/4" FPT	B = Polypropylene
		3/4M = 3/4" MPT	C = PVDF *
		1M = 1" MPT	

* PVDF Available with 3/4" FPT Only

Accessories

Part Number	Description	Material	Max Temp.	Max Pressure @ 140°F
RTE-015-42D-1	Reducing Tee 1 1/2 Slip x 3/4 FPT	PVC	140°F	70 psi
RTE-015-42D-2	Reducing Tee 1 1/2 Slip x 1 FPT	PVC	140°F	70 psi
RTE-020-42D-1	Reducing Tee 2 Slip x 3/4 FPT	PVC	140°F	60 psi
RTE-020-42D-2	Reducing Tee 2 Slip x 1 FPT	PVC	140°F	60 psi